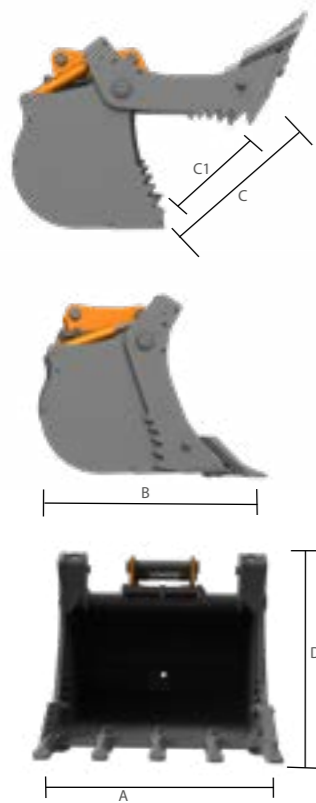
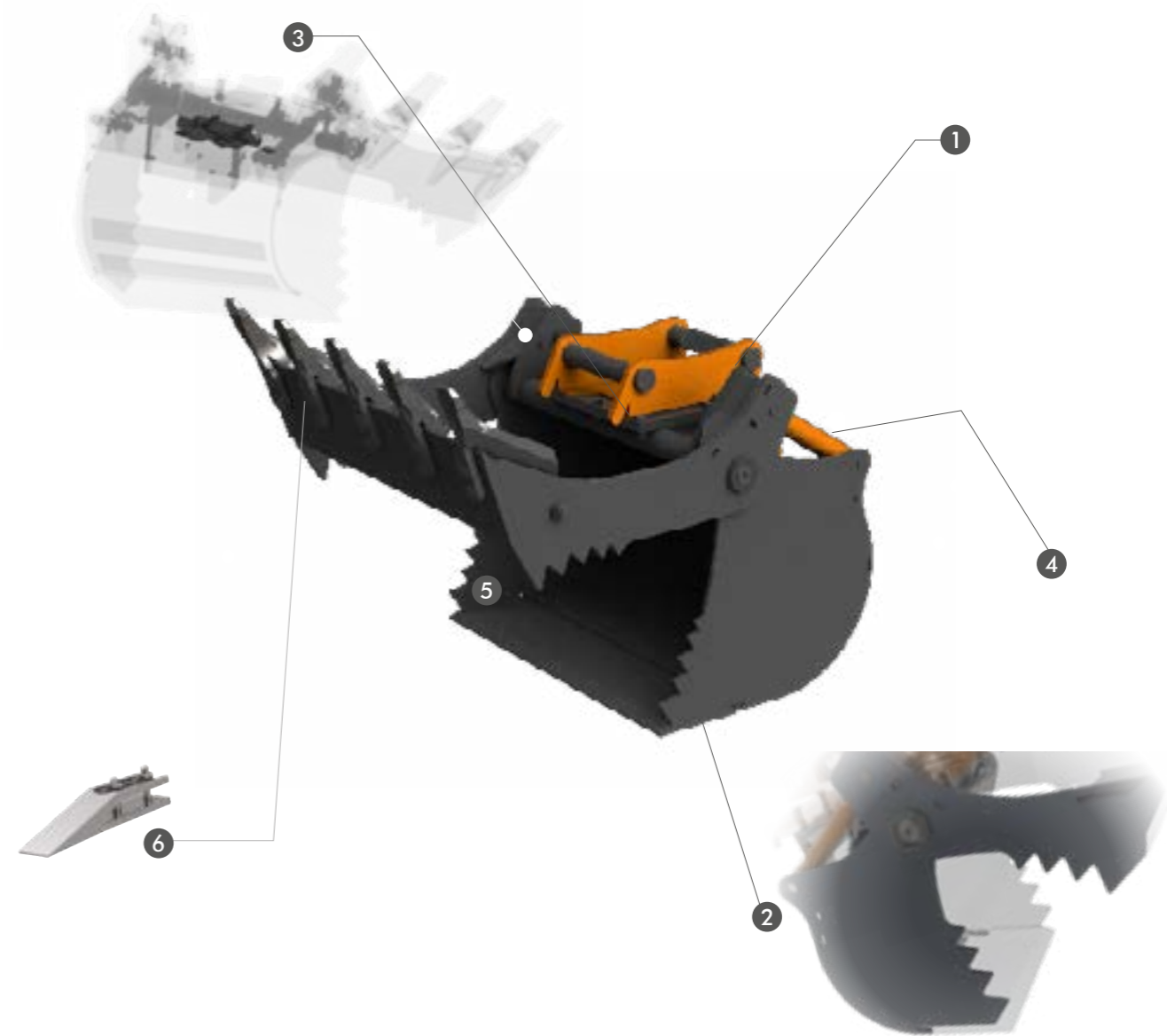




THE 4-IN-1 BUCKET IS A MULTIFUNCTIONAL PIECE OF EQUIPMENT CAPABLE OF PERFORMING VARIOUS TASKS ON THE CONSTRUCTION SITE. IDEAL FOR EXCAVATION, UNLOADING AND LOADING ACTIVITIES. ALSO SUITABLE FOR LEVELLING AND BACKFILLING OPERATIONS. IN ADDITION, THE DOUBLE TOOTHED BLADE MAKES IT EFFECTIVE FOR GRIPPING DIFFERENT MATERIALS.



TON	1,5 - 4 (3307 - 8818)	2,5 - 4 (5512 - 8818)	4 - 6 (8818 - 13227)	4 - 6 (8818 - 13227)	6 - 12 (13227 - 26456)	8 - 12 (17637 - 26456)
MOD.	E4-40 600	E4-40 800	E4-60 600	E4-60 800	E4-70 800	E4-70 1000
<b>A</b>	MM (IN)	600 (24)	800 (31)	600 (24)	800 (31)	1000 (39)
<b>B</b>	MM (IN)	570 (22)	570 (22)	770 (30)	770 (30)	830 (33)
<b>C</b>	MM (IN)	380 (15)	380 (15)	640 (25)	640 (25)	700 (28)
<b>C1</b>	MM (IN)	245 (10)	245 (10)	460 (18)	460 (18)	535 (21)
<b>D</b>	MM (IN)	546 (21)	546 (21)	716 (28)	716 (28)	846 (33)
W/O COUPLER	KG (LB)	130 (287)	150 (330)	220 (485)	250(551)	350 (772)
CAP SAE	L (GAL)	88 (23)	124 (32)	166 (44)	245 (64)	300 (79)
MAX	BAR (PSI)	300 (4786,25)	300 (4786,25)	300 (4786,25)	300 (4786,25)	300 (4786,25)
N° TEETH		5	5	5	5	5



**STANDARD TECHNICAL FEATURES**

- 1 BOLT-ON SADDLE**
- 2 DOUBLE BLADE, ON THE BITE, WITH TEETH, FOR DIGGING AND ON THE TANK, SMOOTH, FOR LEVELLING**
- 3 OVERCENTER VALVE, TO LIMIT EFFORTS AND PROTECT THE STRUCTURE**
- 4 DOUBLE CYLINDER OPENING**
- 5 SERRATED BITE PROFILE FOR A BETTER GRIP**
- 6 DF TEETH**