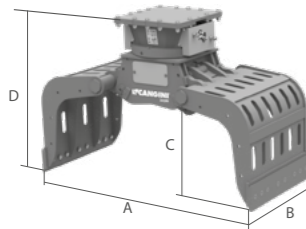




NB: AT THE TIME OF ORDER, PLEASE NOTIFY THE VOLTAGE OF THE ELECTRICAL SYSTEM (12-24 V)

HYDRAULIC ROTATION STANDARDIZED ON ALL MODELS. DESIGNED TO HANDLE DIFFERENT MATERIALS. THE CLAWS WITH HB400 ELEMENTS ARE FITTED WITH BOLTED REVERSIBLE BLADES. ITS STRONG FRAME ALLOWS OPERATORS TO USE IT ALSO FOR LIGHT DEMOLITION WORKS.

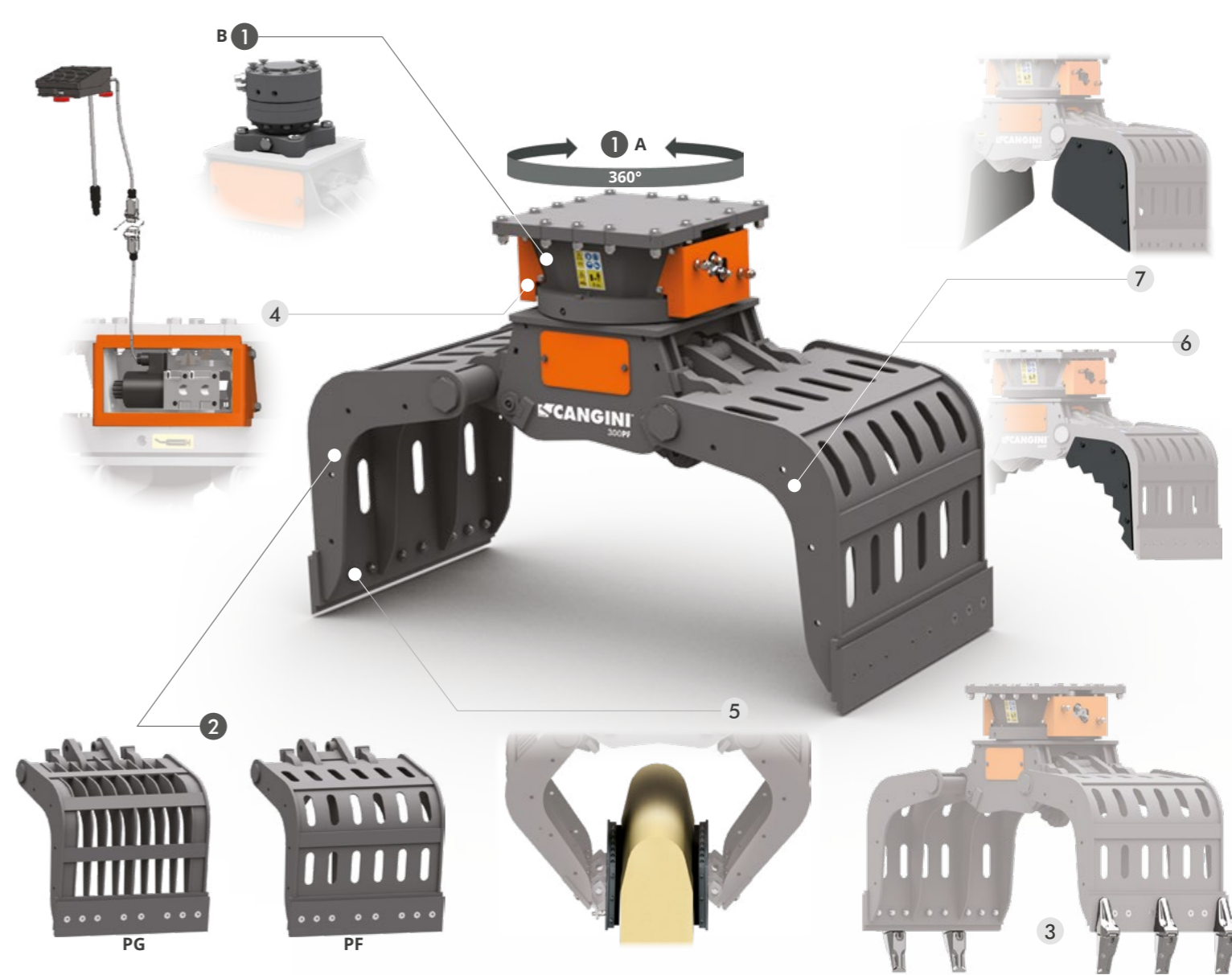


	TONS (LB)	1,2 - 2,5 (2646-5511)	2,0 - 3,5 (4409-7717)	3,0 - 5,0 (6613-1102)	4,0 - 7,5 (8818-165347)	6,0 - 9,0 (13227 - 19841)	9,0 - 12,0 (19841 - 26455)	12,0 - 15,0 (26455 - 33069)			
MOD.		100PF	150PF	200PF	250PF	300PF	300PG	450PF	450PG	550PF	550PG
A MM (IN)		700 (28)	900 (35)	1100 (43)	1300 (51)	1300 (51)	1300 (51)	1500 (59)	1500 (59)	1600 (63)	1600 (63)
B MM (IN)		300 (12)	400 (16)	500 (20)	500 (20)	600 (24)	600 (24)	700 (28)	700 (28)	700 (28)	700 (28)
C MM (IN)		270 (11)	300 (12)	330 (13)	390 (15)	410 (16)	410 (16)	460 (18)	460 (18)	480 (19)	480 (19)
D MM (IN)		680 (27)	750 (30)	810 (32)	850 (33)	930 (37)	930 (37)	990 (39)	990 (39)	1030 (41)	1030 (41)
W/O COUPLER	KG (LB)	93 (205)	150 (331)	203 (448)	320 (705)	380 (838)	400 (882)	550 (1213)	590 (1301)	630 (1389)	645 (1422)

JAWS DRIVE CYLINDER											
	MAX.	BAR (PSI)	180 (2611)	220 (3191)	245 (3553)	275 (3989)	350 (5076)	350 (5076)	350 (5076)	350 (5076)	350 (5076)
	MAX.	L/MIN (GAL/MIN)	25 (7)	25 (7)	25 (7)	60 (16)	60 (16)	60 (16)	60 (16)	60 (16)	60 (16)

ROTATION ENGINE											
	MAX.	BAR (PSI)	320 (4641)	320 (4641)	250 (3626)	250 (3626)	250 (3626)	250 (3626)	250 (3626)	250 (3626)	250 (3626)
		L/MIN (GAL/MIN)	22 (6)	22 (6)	15/20 (3,9/5,2)	22/30 (5,8/7,9)	22/30 (5,8/7,9)	22/30 (5,8/7,9)	22/30 (5,8/7,9)	22/30 (5,8/7,9)	22/30 (5,8/7,9)

		100PF	150PF	200PF	250PF	300PF	300PG	450PF	450PG	550PF	550PG
	N.	5	5	5	5	5	5	7	7	7	7
3	DC TEETH	DC 1 (KG 1,4)	DC 1 (KG 1,4)	DC 3 (KG 2,1)	DC 5 (KG 3,5)	DC 5 (KG 3,5)	DC 5 (KG 3,5)	DC 5 (KG 3,5)	DC 5 (KG 3,5)	DC 5 (KG 3,5)	DC 5 (KG 3,5)



STANDARD

- 1 A HYDRAULIC ROTATION WITH SLEWING RING (EXCEPT THE 100PF AND 150PF MODELS)**
- 1 B HYDRAULIC ROTATION WITH HYDRAULIC ROTATOR (ONLY FOR THE 100PF AND 150PF MODELS)**
ALL SHEARS ARE EQUIPPED WITH A BIDIRECTIONAL HYDRAULIC ROTATION.

- 2 PG VERSION (HB400 MATERIALS) OR PF VERSION (HB400 MATERIALS)**
PG VERSION MAKES THE CLAMPS PARTICULARLY RESISTANT AND IDEAL FOR HEAVIER WORKS.

OPTIONAL

- 3 DC TEETH**
IDEAL FOR THE STONES GRABBING AND THE HANDLING OF FILLING MATERIAL.
- 4 TWO PIPE KIT**
A BUILT-IN SOLENOID VALVE ENABLES USE OF HYDRAULIC ROTATION AND JAWS OPENING/CLOSING FUNCTIONS ON EXCAVATORS WITH ONE DOUBLE-ACTION.
- 5 CURB HANDLING KIT**
DEVICES WITH A RUBBER SURFACE FOR THE HANDLING OF CONCRETE CURBS.
- 6 TOOTHED SIDE CLOSING**
THE TOOTHING ENABLES TO HANDLE STONES AND/OR WOOD STONES AND/OR WOOD AND ENSURES A STEADIER GRIP.
- 7 SIDE CLOSING**
IT INCREASES THE GRAPPLE'S LOADING CAPACITY.

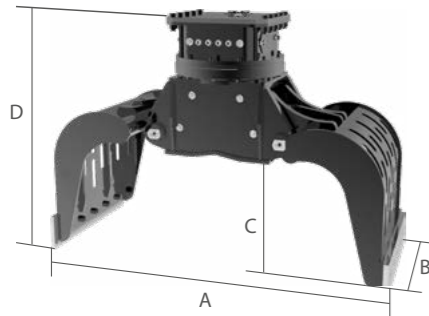


PF/PG MULTIPURPOSE SELECTION GRAPPLE



NB: AT THE TIME OF ORDER, PLEASE NOTIFY THE VOLTAGE OF THE ELECTRICAL SYSTEM (12-24 V)

THE SORTING GRAPPLE IS DESIGNED FOR HANDLING, RECYCLING AND TO CARRY EVEN SMALL DEMOLITIONS OF DIFFERENT MATERIALS, THANKS TO ITS STRONG STRUCTURE. CONCEIVED TO HANDLE VARIOUS MATERIALS RELIABLY AND SAFELY. ITS EXTRA STRENGTH IS PROVIDED BY ITS HB400 WEAR-RESISTANT STEEL BLADES. THE STANDARD 360° HYDRAULIC ROTATION ENSURES MAXIMUM EFFICIENCY AND A PRECISE RESULT.



	TONS (LB)	14,00 - 18,00 (30864,7 - 39683,2)		18,00 - 25,00 (39683,2 - 55115,6)	
		MOD.	1000PF	1000PG	1500PF
A	MM (IN)	1780 (70)	1780 (70)	1950 (77)	1950 (77)
B	MM (IN)	800 (31)	800 (31)	1020 (40)	1020 (40)
C	MM (IN)	570 (22)	570 (22)	675 (27)	675 (27)
D	MM (IN)	1225 (48)	1225 (48)	1550 (61)	1550 (61)
W/O COUPLER	KG (LB)	1000 (2205)	1380 (3042)	1500 (3307)	2080 (4585)
ROTATION		360°	360°	360°	360°

JAWS DRIVE CYLINDER

MAX.	BAR (PSI)	300 (4351)	300 (4351)	300 (4351)	300 (4351)
MAX.	L/MIN (GAL/MIN)	50 (13)	50 (13)	75 (20)	75 (20)

ROTATION ENGINE

MAX.	BAR (PSI)	80 (1160)	80 (1160)	80 (1160)	80 (1160)
MAX.	L/MIN (GAL/MIN)	40 - 60 (10 - 16)	40 - 60 (10 - 16)	40 - 60 (10 - 16)	40 - 60 (10 - 16)

** NB: ALL MODELS WILL BE SUPPLIED WITHOUT COUPLER

STANDARD

- 1 STANDARD CONFIGURATION (PF)
- 2 DEMOLITION CONFIGURATION (PG)
- 3 HB400 STEEL EDGE BLADES
- 4 GUARDS TO PROTECT CYLINDER FROM RUBBLE
- 5 BUILT-IN "RELIEF VALVE"
- 6 INTEGRAL 360° ROTATION