



**CANGINI®**

# PRICE LIST 2024

QUICK COUPLERS, HYDRAULIC ACTUATORS AND BUCKETS

EN



**A STEP AHEAD IN TECHNIQUE.  
FUTURE ORIENTED**



[www.canginibenne.com](http://www.canginibenne.com)



# HISTORY

1989

THE DEBUT AS SPECIALIZED METALWORKING WORKSHOP IN THE FAMILY HOUSE, IN THE RURAL AREA OF PAGNO, IN THE HEART OF THE ROMAGNA'S APENNINES.

1990

THE CANGINI BROTHERS SPECIALIZE THEIR ACTIVITY IN THE DESIGN AND PRODUCTION OF BUCKETS.

1992

THE YOUNG COMPANY IS ABLE TO CATCH THE MARKET'S SIGNS. THE CATALOGUE IS RICHER AND THE FIRST QUICK COUPLER, THE AR MODEL, IS PRODUCED.



1996

THE FIRST CANGINI ATTACHMENT JOINS THE CATALOGUE. THE COMPANY SETTLES IN THE NEW PLANT OF SARSINA.

**CANGINI**BENNE

2001

THE CR MECHANICAL QUICK COUPLER IS PLACED ON THE MARKET.

2006

THE EXPORT SHARE GROWS AND THE PRODUCTION AREA INAUGURATES ITS NEW 2,500 M<sup>2</sup>.

2010

THE WORLD ECONOMIC CRISIS AFFECTS THE ITALIAN MARKET. CANGINI GROWS STRONGER THANKS TO ITS EXPORT SHARE.

**CANGINI**

**CANGINI**

2016

MENTION OF HONOUR TO SAFETY BY THE SAMOTER INNOVATION AWARD.

2017

NEW PRODUCTION AREA DEVOTED TO HYDRAULIC ATTACHMENTS (2,400 M<sup>2</sup>) WITH A NEW WATER-COATING PLANT.

2021

SWEDISH INVESTMENT COMPANY LIFCO AB ACQUIRED THE MAJORITY OF CANGINI BENNE SHARES, WHICH BECOMES PART OF THE DEMOLITION & TOOLS DIVISION, HEADED BY THE KINSHOFER GROUP.



# INDEX

<b>QUICK COUPLERS</b>	4
<b>HYDRAULIC ACTUATORS AND ADAPTER PLATES</b>	32
<b>STANDARD BUCKETS</b>	60
<b>SCANDINAVIAN BUCKETS</b>	150
<b>NETHERLANDS BUCKETS</b>	240
<b>GENERAL SALES AND WARRANTY CONDITIONS</b>	272

# TECHNICAL LEGEND

WEIGHT	W/O ROTATION	BRUSH DIAMETER
EMPTY WEIGHT	BIDIRECTIONAL ROTATION	MAX. PIPE DIAMETER
FULL LOAD WEIGHT/OPERATING	SHAFTS	HEX KEY
ALLOWED MAX CAPACITY	SELECTED THICKNESS DIAMETER	MATCHING BUCKET
LIFTING CAPACITY	HAMMERS	ADAPTER
OIL FLOWRATE	STANDARD Y BLADES + INTERMEDIATE KNIFE	EXCAVATOR
OIL FLOWRATE REQUESTED FOR ROTATION	CUTTING DIAMETER	SKID LOADER
TEETH LOADING CAPACITY	ROTOR DIAMETER	MINI SKID LOADER
POWER	ROTOR MAXIMUM DIAMETER	WHEEL LOADER
PRESSURE	DC TEETH + DTE TEETH	BACKHOE LOADER
BELT TRANSMISSION	DF TEETH	TELEHANDLER
ROTATION	BRUSH	TRACTOR

THE BEST YEARS ARE THOSE STILL TO COME

All data (images and descriptions) and data combinations in this catalogue are suggested. Cangini reserves the right to modify them anytime. All rights reserved.



EXCAVATOR



BACKHOE LOADER

AR FAST LOCK	6		 AR		
CR TWIN LOCK	8		 CR		
CR TWIN LOCK - EVO	10		 CR		
CR TWIN LOCK D.E. EVO SYSTEM	12		 CR		
CR TWIN LOCK D.E. EVO	14		 CR		
CS SCHNAPPMATIC	16		 CS CS JANUS PRO		
CS SCHNAPPMATIC D.E.	18		 CS CS JANUS PRO		
CS SCHNAPPMATIC D.E. CS 100	20		 CS CS JANUS PRO		



EXCAVATOR



BACKHOE LOADER

M-LOCK EVO SYSTEM	22		 M'LOCK		
S NORDIC EVO SYSTEM	24		 S EVO		
PL PIN LOCK	26		 STANDARD		
CW AUT'O'LOCK	28		 CW COPPO CW IN PIANO CW ROVESCIO CW REVERSIBILE		
CW HAND'O'LOCK	30		 CW COPPO CW IN PIANO CW ROVESCIO CW REVERSIBILE		





**NB: AT THE TIME OF ORDER, PLEASE NOTIFY THE VOLTAGE OF THE ELECTRICAL SYSTEM (12-24 V)**

THE AR FAST LOCK PATENTED QUICK COUPLER ENABLES THE FAST LOCKING AND UNLOCKING OF THE ATTACHMENT TOOLS, CONSIDERABLY REDUCING THE TIME FOR THEIR REPLACEMENT. THE MECHANICAL VERSION IS PROVIDED WITH A SEMI-AUTOMATIC SYSTEM THAT REQUIRES THE MANUAL INTERVENTION WHEN THE TOOL HAS TO BE RELEASED. BOTH THE LOCKING AND THE SAFE BLOCKING OF THE NEW TOOL ARE AUTOMATIC OPERATIONS. IN THE HYDRAULIC VERSION THESE FUNCTIONS ARE MANAGED DIRECTLY FROM THE CAB.

	TONS (LB)	0,6 - 1,8 (1323 - 3968)	1,8 - 2,5 (3968 - 5512)	2,5 - 4,0 (5512 - 8819)	4,0 - 6,0 (8819 - 13228)	6,0 - 7,5 (13228 - 16535)
<b>MOD.</b>		<b>AR15</b>	<b>AR30</b>	<b>AR40</b>	<b>AR50</b>	<b>AR70</b>
<b>A</b> MM (IN)		206 (8,1)	226 (8,9)	238 (9,4)	271 (10,7)	317 (12,5)
<b>B</b> MM (IN)		156 (6,1)	181 (7,1)	196 (7,7)	218 (8,6)	258 (10,2)
<b>C</b> MM (IN)		92 (3,6)	92 (3,6)	97 (3,8)	120 (4,7)	124 (4,9)
<b>Ø</b> MM (IN)		30 (1,2)	35 (1,4)	35 (1,4)	40 (1,6)	45 (1,8)

<b>MECHANIC SEMI-AUTOMATIC</b>		<b>AR15 S.A.</b>	<b>AR30 S.A.</b>	<b>AR40 S.A.</b>	<b>AR50 S.A.</b>	<b>AR70 S.A.</b>
	W/O COUPLER	KG (LB)	16 (35)	20 (44)	25 (55)	30 (66)
			61 (135)			

<b>HYDRAULIC SINGLE ACTION</b>		<b>AR15 S.E.</b>	<b>AR30 S.E.</b>	<b>AR40 S.E.</b>	<b>AR50 S.E.</b>	<b>AR70 S.E.</b>
	W/O COUPLER	KG (LB)	18 (40)	22 (49)	27 (60)	32 (71)
	MAX	BAR (PSI)	250 (3626)	250 (3626)	250 (3626)	250 (3626)



**OPTIONAL**

- 1 HYDRAULIC INSTALLATION KIT**  
WITH THE HYDRAULIC QUICK COUPLER THE INSTALLATION KIT CAN BE PROVIDED, INCLUDING SOLENOID VALVE AND ELECTRIC SWITCH WITH MAGNETS TO EASILY PUT IT INSIDE THE CAB
- 2 LIFTING HOOK**  
A HOOK APPROVED FOR LIFTING OPERATIONS CAN BE WELDED DIRECTLY ON THE QUICK COUPLER.
- 3 AR ADAPTER**  
THE ADAPTER APPLIED TO ANY TOOL ENABLES THE COUPLING WITH THE AR FAST LOCK QUICK COUPLER.



**NB: AT THE TIME OF ORDER, PLEASE NOTIFY THE VOLTAGE OF THE ELECTRICAL SYSTEM (12-24 V)**

THE CR TWIN LOCK PATENTED **REVERSIBLE** QUICK COUPLER ENABLES THE FAST LOCKING AND UNLOCKING OF THE ATTACHMENT TOOLS CONSIDERABLY REDUCING THE TIME FOR THEIR REPLACEMENT. THE MECHANICAL VERSION IS PROVIDED WITH A SEMI-AUTOMATIC SYSTEM THAT REQUIRES THE MANUAL INTERVENTION WHEN THE TOOL HAS TO BE RELEASED. BOTH THE LOCKING AND THE SAFE BLOCKING OF THE NEW TOOL ARE AUTOMATIC OPERATIONS. IN THE HYDRAULIC VERSION ALL THESE FUNCTIONS ARE MANAGED DIRECTLY FROM THE CAB.

TONS (LB)	0,6 - 1,8 (1323 - 3968)	1,8 - 2,5 (3968 - 5512)	2,5 - 4,0 (5512 - 8819)	4,0 - 6,0 (8819 - 13228)	6,0 - 12,0 (13228 - 26455)
<b>MOD.</b>	<b>CR15</b>	<b>CR30</b>	<b>CR40</b>	<b>CR50</b>	<b>CR70</b>
<b>A</b> MM (IN)	247 (9,7)	252 (9,9)	260 (10,2)	290 (11,4)	345 (13,5)
<b>B</b> MM (IN)	156 (6,1)	180 (7,1)	196 (7,7)	218 (8,6)	257 (10,1)
<b>C</b> MM (IN)	101 (4,0)	107 (4,2)	109 (4,3)	133 (5,2)	148 (5,8)
<b>Ø</b> MM (IN)	40 (1,6)	45 (1,8)	45 (1,8)	50 (2,0)	60 (2,4)

MECHANIC SEMI-AUTOMATIC		MOD.	CR15 S.A.	CR30 S.A.	CR40 S.A.	CR50 S.A.	CR70 S.A.
	W/O COUPLER	KG (LB)	20 (44)	25 (55)	28 (62)	39 (86)	62 (137)

HYDRAULIC SINGLE ACTION		MOD.	CR15 S.E.	CR30 S.E.	CR40 S.E.	CR50 S.E.	CR70 S.E.
	W/O COUPLER	KG (LB)	21 (46)	27 (60)	29 (64)	40 (88)	63 (139)
	MAX	BAR (PSI)	250 (3626)	250 (3626)	250 (3626)	250 (3626)	200 (2901)



## STANDARD TECHNICAL FEATURES

### 1 "SAFE CHECK" SIDE COUPLING INDICATOR

THE 'SAFE CHECK' SIDE INDICATOR ALLOWS THE QUICK COUPLER'S FULL CONTROL OVER THE ADAPTER. IT PERMITS TO CHECK IF THE QUICK COUPLER IS IN THE RIGHT POSITION TO ENSURE CORRECT COUPLING ONCE THE PINS ARE OUT.

## OPTIONAL

### 2 HYDRAULIC INSTALLATION KIT

WITH THE HYDRAULIC QUICK COUPLER THE INSTALLATION KIT CAN BE PROVIDED, INCLUDING SOLENOID VALVE AND ELECTRIC SWITCH WITH MAGNETS TO EASILY PUT IT INSIDE THE CAB

### 3 LIFTING HOOK

A HOOK APPROVED FOR LIFTING OPERATIONS CAN BE WELDED DIRECTLY ON THE QUICK COUPLER.

### 4 CR ADAPTE

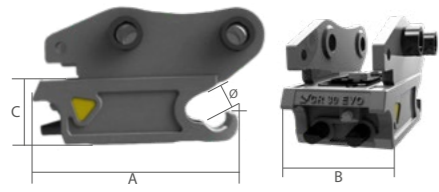
THE CR ADAPTER MAKES THE TOOL REVERSIBLE.

\*NB. THE LIFTING CAPACITY OF THE HOOK IS ADJUSTED ACCORDING TO THE SUPPORT TO WHICH THE HOOK IS APPLIED



**NB: AT THE TIME OF ORDER, PLEASE NOTIFY THE VOLTAGE OF THE ELECTRICAL SYSTEM (12-24 V)**

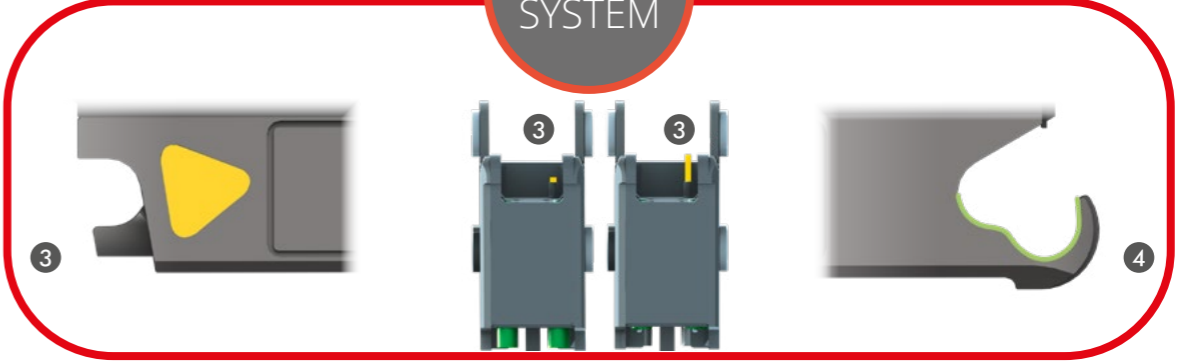
THE CR TWIN LOCK EVO REPRESENTS A TECHNOLOGICAL LEAP FORWARD IN THE DESIGN OF QUICK-RELEASE COUPLINGS FOR EXCAVATORS, COMBINING SEVERAL INNOVATIVE TECHNOLOGIES IN A SINGLE PRODUCT, SUCH AS THE HIGH-STRENGTH CAST BODY, DUCTED LUBRICATION, THE PATENTED "VISUAL CHECK" COUPLING DISPLAY AND THE UNI EN 474-1:2022 COMPLIANT ANTI-FALL SYSTEMS. THESE FEATURES MAKE THE CR TWIN LOCK EVO A STATE-OF-THE-ART PRODUCT THAT SETS NEW STANDARDS OF SAFETY, EFFICIENCY AND RELIABILITY. QUICK-ACTION COUPLING AVAILABLE IN SEMI-AUTOMATIC MECHANICAL (S.A.) OR SINGLE-ACTING HYDRAULIC (S.E.) VERSIONS. IN THE HYDRAULIC VERSION THE COUPLING PHASE IS CONTROLLED BY THE MECHANICAL COMPONENTS INSIDE THE QUICK COUPLER. THE RELEASE IS ACTUATED BY A HYDRAULIC CYLINDER REQUIRING SUPPLY WITH A SINGLE-ACTING LINE.



TONS (LB)	0,6 - 1,8 (1323 - 3968)	1,8 - 2,5 (3968 - 5512)	2,5 - 4,0 (5512 - 8819)	4,0 - 6,0 (8819 - 13228)	6,0 - 12,0 (13228 - 26455)
<b>MOD.</b>	<b>CR15</b>	<b>CR30</b>	<b>CR40</b>	<b>CR50</b>	<b>CR70</b>
<b>A</b> MM (IN)	327 (9,7)	334 (9,9)	355 (10,2)	405 (11,4)	450 (13,5)
<b>B</b> MM (IN)	156 (6,1)	180 (7,1)	192 (7,7)	218 (8,6)	257 (10,1)
<b>C</b> MM (IN)	103 (4,0)	107 (4,2)	109 (4,3)	137 (5,2)	153 (5,8)
<b>Ø</b> MM (IN)	40 (1,6)	45 (1,8)	45 (1,8)	50 (2,0)	60 (2,4)

<b>MECHANIC SEMI-AUTOMATIC</b>		<b>MOD.</b>	<b>CR15 S.A.</b>	<b>CR30 S.A.</b>	<b>CR40 S.A.</b>	<b>CR50 S.A.</b>	<b>CR70 S.A.</b>
	W/O COUPLER	KG (LB)	17 (44)	22 (55)	27 (62)	42 (86)	67 (137)

<b>HYDRAULIC SINGLE ACTION</b>		<b>MOD.</b>	<b>CR15 S.E.</b>	<b>CR30 S.E.</b>	<b>CR40 S.E.</b>	<b>CR50 S.E.</b>	<b>CR70 S.E.</b>
	W/O COUPLER	KG (LB)	18 (46)	24 (60)	28 (64)	43 (88)	69 (139)
	MAX	BAR (PSI)	250 (3626)	250 (3626)	250 (3626)	250 (3626)	250 (2901)



**STANDARD TECHNICAL FEATURES**

- HIGH-RESISTANCE BODY**  
CR TWIN LOCK EVO IS MADE WITH AN ALL-CAST BODY, USING HIGH-STRENGTH METAL ALLOYS THAT GUARANTEE STRENGTH AND ROBUSTNESS.
- SIMPLIFIED MAINTENANCE**  
THANKS TO A CANALISED GREASING SYSTEM, IT SIMPLIFIES MAINTENANCE OPERATIONS, ENSURING AN EVEN DISTRIBUTION OF LUBRICANT OVER ALL MOVING PARTS. IT REDUCES WEAR, IMPROVES OPERATING PERFORMANCE AND LIMITS WASTE.
- DOCKING SECURITY**  
THIS INNOVATIVE DISPLAY SYSTEM ALLOWS THE OPERATOR TO ENSURE THAT THE EQUIPMENT IS CORRECTLY ATTACHED TO THE QUICK COUPLER, IMPROVING SAFETY AND REDUCING THE RISK OF ERRORS. ALL QUICKLY AND CONVENIENTLY, DIRECTLY FROM THE CAB.
- COMPATIBILITY WITH UNI EN 474-1:2022 STANDARD**  
CR TWIN LOCK D.E. EVO IS EQUIPPED WITH AN ANTI-FALL SYSTEM FOR THE TOOL, IN COMPLIANCE WITH THE REQUIREMENTS OF UNI EN 474-1:2022, WHICH ESTABLISHES THE SAFETY MEASURES NECESSARY TO AVOID THE RISK OF FALLING DURING OPERATIONS.

**OPTIONAL**

- HYDRAULIC INSTALLATION KIT**  
WITH THE HYDRAULIC QUICK COUPLER, IT IS POSSIBLE TO SUPPLY THE INSTALLATION KIT TO THE MACHINE, INCLUDING SOLENOID VALVE AND 12V ELECTRIC SELECTOR SWITCH TO BE INSTALLED INSIDE THE DRIVING AREA.
- LIFTING HOOK**  
A HOOK APPROVED FOR LIFTING OPERATIONS CAN BE WELDED DIRECTLY ON THE QUICK COUPLER.
- CR ADAPTER**  
THE CR ADAPTER MAKES THE TOOL REVERSIBLE.

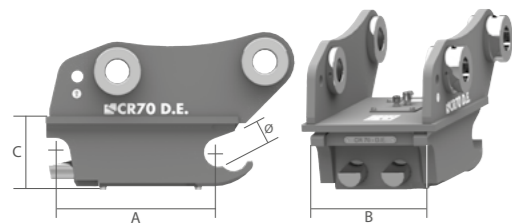
\*NB. THE LIFTING CAPACITY OF THE HOOK IS ADJUSTED ACCORDING TO THE SUPPORT TO WHICH THE HOOK IS APPLIED



**NB:** AT THE TIME OF ORDER, PLEASE NOTIFY THE VOLTAGE OF THE ELECTRICAL SYSTEM (12-24 V)

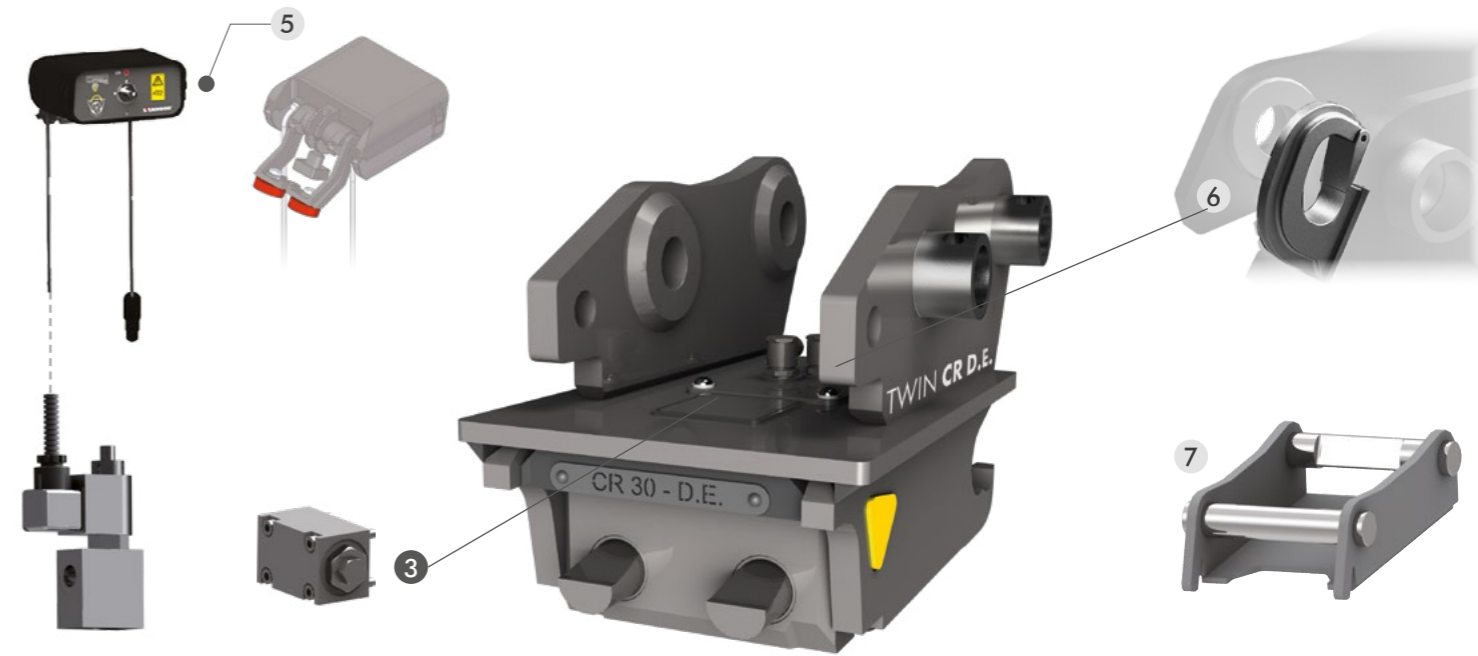
THE CR TWIN LOCK D.E. QUICK COUPLER, WITH ITS **DOUBLE ACTION** SYSTEM, MANAGES THE LOCKING AND UNLOCKING OPERATIONS DIRECTLY FROM THE CAB IN A FEW SECONDS. IT MEETS THE HIGHEST RELIABILITY STANDARDS THANKS TO ITS SAFETY SYSTEMS, SUCH AS THE VISUAL INDICATOR FOR THE LOCKING STATUS CONTROL, THE STANDARD BLOCK VALVE, THE DOUBLE-NOTCH PROFILE OF THE FORK. THE SIDES ARE REALIZED ENTIRELY WITH THE HB400 STEEL, GRANTING GREAT RESISTANCE.

HYDRAULIC DOUBLE ACTION



TONS (LB)	0,6 - 1,8 (1323 - 3968)	1,8 - 2,5 (3968 - 5512)	2,5 - 4,0 (5512 - 8819)	4,0 - 6,0 (8819 - 13228)	6,0 - 12,0 (13228 - 26455)
MOD.	CR15 D.E.	CR30 D.E.	CR40 D.E.	CR50 D.E.	CR70 D.E.
<b>A</b>	MM (IN) 247 (9,7)	252 (9,9)	260 (10,2)	290 (11,4)	345 (13,5)
<b>B</b>	MM (IN) 156 (6,1)	180 (7,1)	196 (7,7)	218 (8,6)	257 (10,1)
<b>C</b>	MM (IN) 101 (4,0)	107 (4,2)	109 (4,3)	133 (5,2)	148 (5,8)
<b>Ø</b>	MM (IN) 40 (1,6)	45 (1,8)	45 (1,8)	50 (2,0)	60 (2,4)
<b>W/O COUPLER</b>	KG (LB) 17,5 (40)	23 (49)	27 (60)	42 (84)	68 (135)
<b>MAX</b>	BAR (PSI) 200 (2901)	200 (2901)	200 (2901)	200 (2901)	200 (2901)

**NB\*** THE LIFTING CAPACITY OF THE HOOK IS ADJUSTED ACCORDING TO THE SUPPORT TO WHICH THE HOOK IS APPLIED



STANDARD TECHNICAL FEATURES

- 1 FORK'S DOUBLE PROFILE**  
NEW DOUBLE CRADLE PROFILE CREATE A GREATER OBSTACLE TO THE ACCIDENTAL FALL OF THE TOOL.
- 2 FRONT SAFETY SYSTEM**  
THROUGH TO THE VISUAL INDICATOR PLACED IN THE COUPLER, THE VISUALISATION OF THE LOCKING CONDITION IS SIMPLE AND IMMEDIATE.  
**A** LOCKING PINS    **B** UNLOCKIN PINS
- 3 SAFETY BLOCK VALVE**  
IT ALLOWS THE QUICK COUPLER TO HOLD ITS POSITION EVEN IN THE CASE OF A PRESSURE LOSS ON THE HYDRAULIC LINE.
- 4 "SAFE CHECK" SIDE COUPLING INDICATOR**  
THE 'SAFE CHECK' SIDE INDICATOR ALLOWS THE QUICK COUPLERS FULL CONTROL OVER THE ADAPTER.IT PERMITS TO CHECK IF THE QUICK COUPLER IS IN THE RIGHT POSITION TO ENSURE CORRECT COUPLING ONCE THE PINS ARE OUT..

OPTIONAL

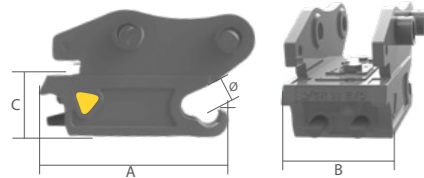
- 5 HYDRAULIC INSTALLATION KIT**  
THIS KIT CAN BE SUPPLIED WITH THE QUICK COUPLER HYDRAULIC VERSION. SUPPLIED WITH WIRED SOLENOID VALVE AND CONTROL SWITCH.
- 6 LIFTING HOOK**  
A HOOK APPROVED FOR LIFTING OPERATIONS CAN BE WELDED DIRECTLY ON THE QUICK COUPLER.
- 7 CR ADAPTE**  
THE CR ADAPTER MAKES THE TOOL REVERSIBLE.



**NB: AT THE TIME OF ORDER, PLEASE NOTIFY THE VOLTAGE OF THE ELECTRICAL SYSTEM (12-24 V)**

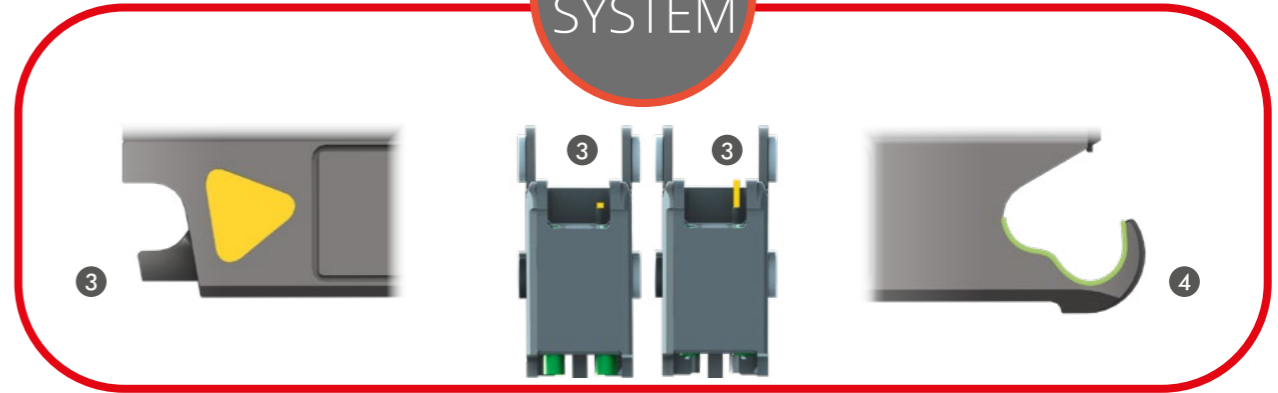
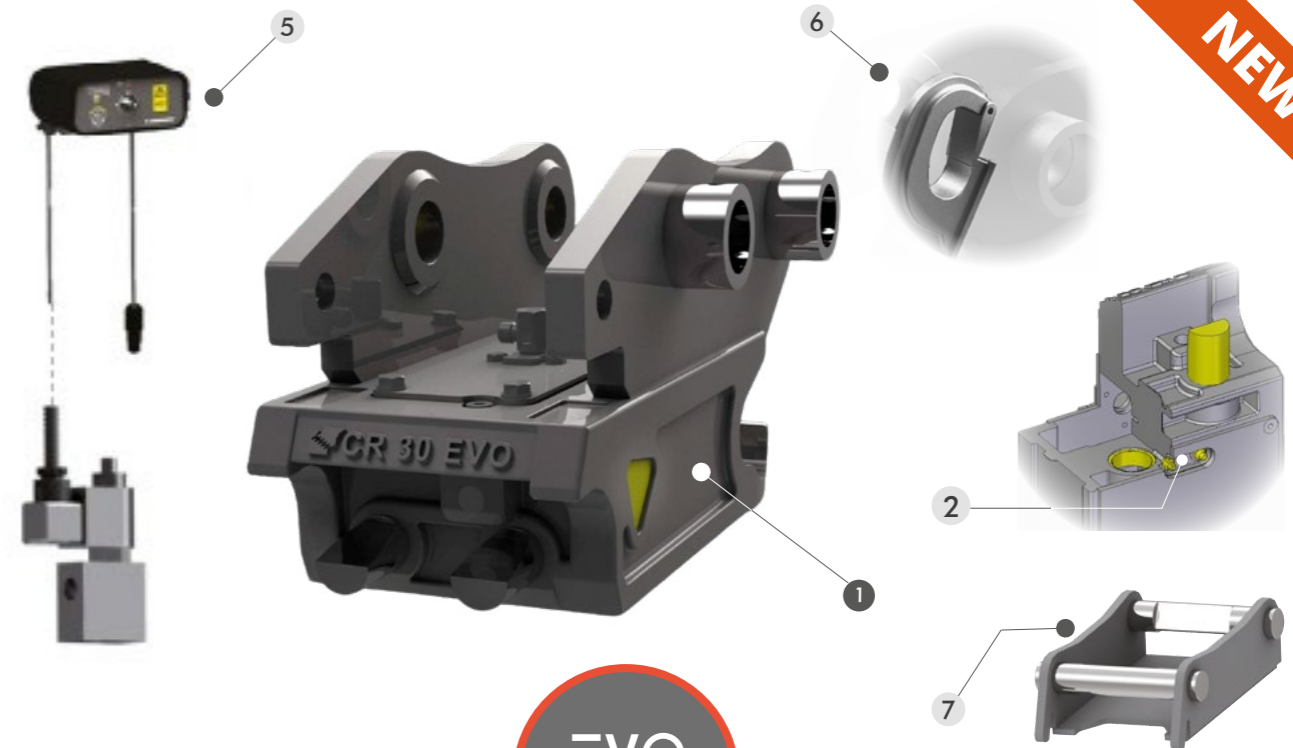
THE CR TWIN LOCK D.E. EVO REPRESENTS A TECHNOLOGICAL LEAP FORWARD IN EXCAVATOR QUICK COUPLER DESIGN, COMBINING SEVERAL INNOVATIVE TECHNOLOGIES IN A SINGLE PRODUCT, SUCH AS A HIGH-STRENGTH CAST BODY, DUCTED LUBRICATION, PATENTED "VISUAL CHECK" COUPLING DISPLAY AND UNI EN 474-1:2022 COMPLIANT FALL ARREST SYSTEMS. THESE FEATURES MAKE THE CR TWIN LOCK D.E. EVO A STATE-OF-THE-ART PRODUCT THAT SETS NEW STANDARDS IN SAFETY, EFFICIENCY AND RELIABILITY. FULLY HYDRAULIC QUICK COUPLER, REQUIRES FEEDING VIA DOUBLE-ACTING LINE.

**HYDRAULIC DOUBLE ACTION**



TONS (LB)	0,6 - 1,8 (1323 - 3968)	1,8 - 2,5 (3968 - 5512)	2,5 - 4,0 (5512 - 8819)	4,0 - 6,0 (8819 - 13228)	6,0 - 12,0 (13228 - 26455)
MOD.	CR15 D.E.	CR30 D.E.	CR40 D.E.	CR50 D.E.	CR70 D.E.
<b>A</b>	MM (IN) 327 (9,7)	334 (9,9)	355 (10,2)	405 (11,4)	450 (13,5)
<b>B</b>	MM (IN) 156 (6,1)	180 (7,1)	192 (7,7)	218 (8,6)	257 (10,1)
<b>C</b>	MM (IN) 103 (4,0)	107 (4,2)	109 (4,3)	137 (5,2)	153 (5,8)
<b>Ø</b>	MM (IN) 40 (1,6)	45 (1,8)	45 (1,8)	50 (2,0)	60 (2,4)
<b>W/O COUPLER</b>	KG (LB) 18 (40)	24 (49)	28 (60)	43 (84)	69 (135)
<b>MAX</b>	BAR (PSI) 250 (2901)	250 (2901)	250 (2901)	250 (2901)	250 (2901)

**NB\*** THE LIFTING CAPACITY OF THE HOOK IS ADJUSTED ACCORDING TO THE SUPPORT TO WHICH THE HOOK IS APPLIED



**STANDARD TECHNICAL FEATURES**

- 1 HIGH-RESISTANCE BODY**  
CR TWIN LOCK D.E. EVO IS MADE WITH AN ALL-CAST BODY, USING HIGH-STRENGTH METAL ALLOYS THAT GUARANTEE STRENGTH AND ROBUSTNESS.
- 2 SIMPLIFIED MAINTENANCE**  
THANKS TO A CANALISED GREASING SYSTEM, IT SIMPLIFIES MAINTENANCE OPERATIONS, ENSURING AN EVEN DISTRIBUTION OF LUBRICANT OVER ALL MOVING PARTS. IT REDUCES WEAR, IMPROVES OPERATING PERFORMANCE AND LIMITS WASTE.
- 3 DOCKING SECURITY**  
THIS INNOVATIVE DISPLAY SYSTEM ALLOWS THE OPERATOR TO ENSURE THAT THE EQUIPMENT IS CORRECTLY ATTACHED TO THE QUICK COUPLER, IMPROVING SAFETY AND REDUCING THE RISK OF ERRORS. ALL QUICKLY AND CONVENIENTLY, DIRECTLY FROM THE CAB.
- 4 COMPATIBILITY WITH UNI EN 474-1:2022 STANDARD**  
CR TWIN LOCK D.E. EVO IS EQUIPPED WITH AN ANTI-FALL SYSTEM FOR THE TOOL, IN COMPLIANCE WITH THE REQUIREMENTS OF UNI EN 474-1:2022, WHICH ESTABLISHES THE SAFETY MEASURES NECESSARY TO AVOID THE RISK OF FALLING DURING OPERATIONS.

**OPTIONAL**

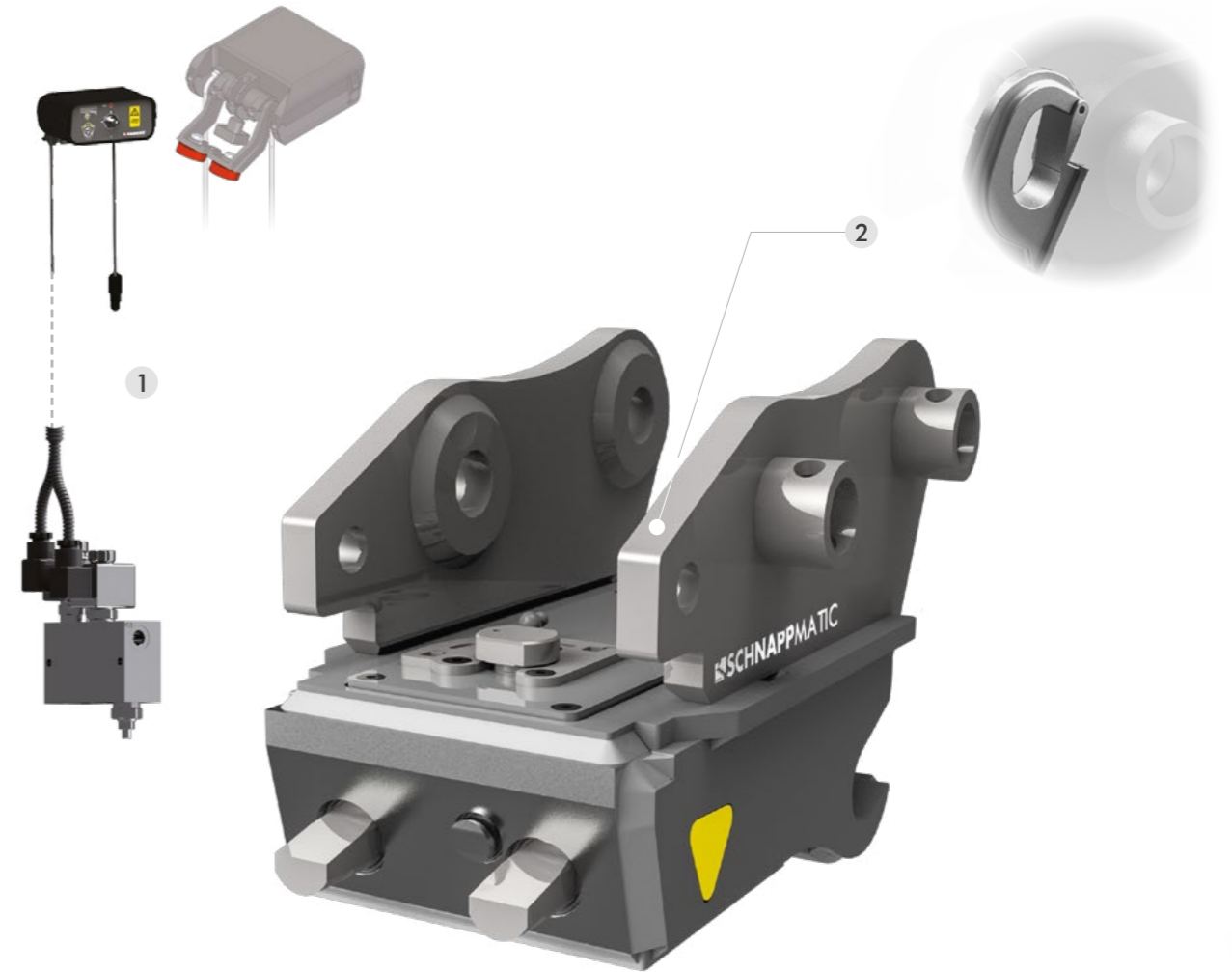
- 5 HYDRAULIC INSTALLATION KIT**  
WITH THE HYDRAULIC QUICK COUPLER, IT IS POSSIBLE TO SUPPLY THE INSTALLATION KIT TO THE MACHINE, INCLUDING SOLENOID VALVE AND 12V ELECTRIC SELECTOR SWITCH TO BE INSTALLED INSIDE THE DRIVING AREA.
- 6 LIFTING HOOK**  
A HOOK APPROVED FOR LIFTING OPERATIONS CAN BE WELDED DIRECTLY ON THE QUICK COUPLER.
- 7 CR ADAPTE**  
THE CR ADAPTER MAKES THE TOOL REVERSIBLE.





**NB: AT THE TIME OF ORDER, PLEASE NOTIFY THE VOLTAGE OF THE ELECTRICAL SYSTEM (12-24 V)**

THE CS SCHNAPPMATIC PATENTED QUICK COUPLER ENABLES THE FAST LOCKING AND UNLOCKING OF THE ATTACHMENTS, CONSIDERABLY REDUCING THE TIME FOR THEIR REPLACEMENT. THE MECHANICAL VERSION IS PROVIDED WITH A SEMI-AUTOMATIC SYSTEM THAT REQUIRES THE MANUAL INTERVENTION WHEN THE TOOL HAS TO BE RELEASED. BOTH THE LOCKING AND THE SAFE BLOCKING OF THE NEW TOOL ARE AUTOMATIC OPERATIONS. IN THE HYDRAULIC VERSION ALL THESE FUNCTIONS ARE MANAGED FROM THE CAB. ACCORDING TO THE ADAPTER, STANDARD OR JANUS PRO (REVERSIBLE), IT IS POSSIBLE TO USE THE SAME TOOLS ALSO FOR FRONT DIGGING WORKS. THIS QUICK COUPLER COMBINES WITH ALL TYPES OF ADAPTER OF THE (MS OS, DS, ETC.) 01, 03 AND 08 SERIES.



	TONS (LB)	0,6 - 2,5 (1323 - 5512)	2,5 - 6,0 (5512 - 13227)	5,0 - 12,0 (11023 - 26455)
<b>MOD.</b>		<b>CS10</b>	<b>CS30</b>	<b>CS80</b>
<b>A</b> MM (IN)		250 (9,8)	316 (12,5)	436 (17,2)
<b>B</b> MM (IN)		180 (7,1)	200 (8)	290 (11)
<b>C</b> MM (IN)		72 (2,8)	78 (3,1)	105 (4,1)
<b>Ø</b> MM (IN)		40 (1,6)	50 (2,0)	60 (2,4)

<b>MECHANIC SEMI-AUTOMATIC</b>		<b>MOD.</b>	<b>CS10 S.A.</b>	<b>CS30 S.A.</b>	<b>CS80 S.A.</b>
	W/O COUPLER	<b>KG (LB)</b>	22 (49)	33 (73)	83 (183)

<b>HYDRAULIC SINGLE ACTION</b>		<b>MOD.</b>	<b>CS10 S.E.</b>	<b>CS30 S.E.</b>	<b>CS80 S.E.</b>
	W/O COUPLER	<b>KG (LB)</b>	23 (51)	34 (75)	87 (192)
	MAX	<b>BAR (PSI)</b>	250 (3626)	250 (3626)	250 (3626)

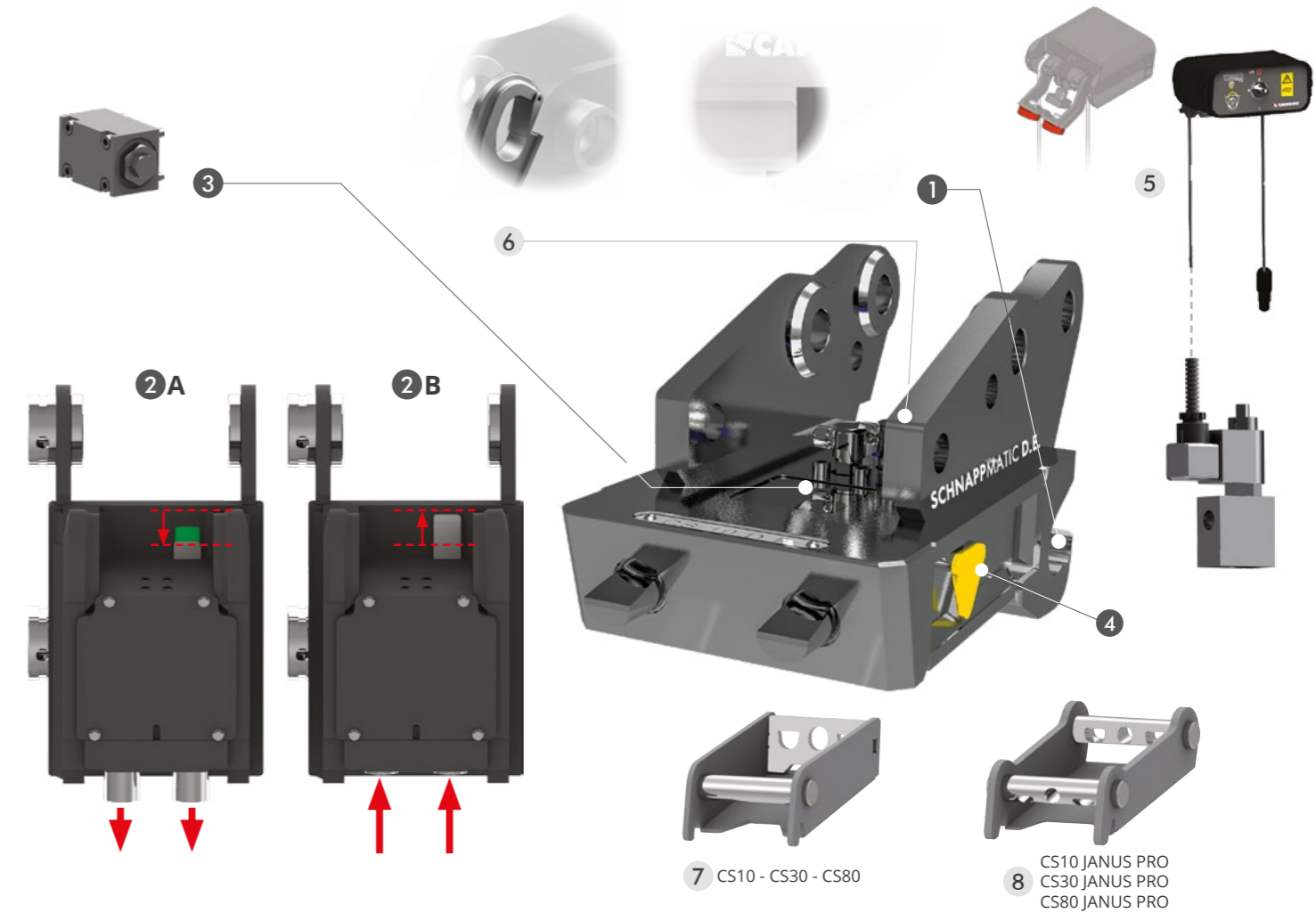
**OPTIONAL**

- 1 HYDRAULIC INSTALLATION KIT**  
WITH THE HYDRAULIC QUICK COUPLER THE INSTALLATION KIT CAN BE PROVIDED, INCLUDING SOLENOID VALVE AND ELECTRIC SWITCH WITH MAGNETS TO EASILY PUT IT INSIDE THE CAB
- 2 LIFTING HOOK**  
A HOOK APPROVED FOR LIFTING OPERATIONS CAN BE WELDED DIRECTLY ON THE QUICK COUPLER.  
**NB\* THE LIFTING CAPACITY OF THE HOOK IS ADJUSTED ACCORDING TO THE SUPPORT TO WHICH THE HOOK IS APPLIED**
- 3 CS ADAPTER**  
THE ADAPTER APPLIED TO ANY TOOL ENABLES THE COUPLING WITH THE CS SCHNAPPMATIC QUICK COUPLER.
- 4 JANUS PRO ADAPTER**  
THE JANUS PRO ADAPTER MAKES THE TOOL REVERSIBLE.



**NB: AT THE TIME OF ORDER, PLEASE NOTIFY THE VOLTAGE OF THE ELECTRICAL SYSTEM (12-24 V)**

THE CS SCHNAPPMATIC D.E. QUICK COUPLER, WITH ITS **DOUBLE ACTION** SYSTEM, MANAGES THE LOCKING AND UNLOCKING OPERATIONS DIRECTLY FROM THE CAB IN A FEW SECONDS. IT IS EQUIPPED WITH DIFFERENT SAFETY SYSTEMS, SUCH AS THE **VISUAL INDICATOR FOR THE LOCKING STATUS CONTROL**, THE **STANDARD BLOCK VALVE** AND THE **DOUBLE-NOTCH PROFILE OF THE FORK**. THE HARDOX400 FORK MAKES THE QUICK COUPLER SUITED TO HIGH WORKLOADS AND GRANTS ITS LONG USEFUL LIFE.



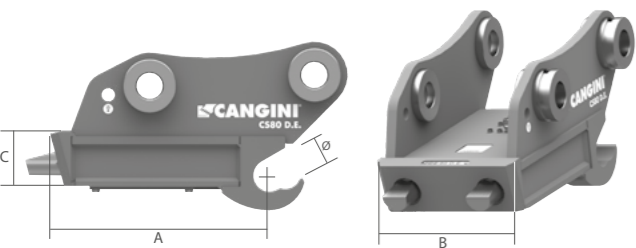
**STANDARD TECHNICAL FEATURES**

- 1 FORK'S DOUBLE PROFILE**  
NEW DOUBLE CRADLE PROFILE CREATE A GREATER OBSTACLE TO THE ACCIDENTAL FALL OF THE TOOL.
- 2 FRONT SAFETY SYSTEM**  
THROUGH TO THE VISUAL INDICATOR PLACED IN THE COUPLER, THE VISUALISATION OF THE LOCKING CONDITION IS SIMPLE AND IMMEDIATE.  
**A** LOCKINIG PINS    **B** UNLOCKIN PINS
- 3 SAFETY BLOCK VALVE**  
IT ALLOWS THE QUICK COUPLER TO HOLD ITS POSITION EVEN IN THE CASE OF A PRESSURE LOSS ON THE HYDRAULIC LINE.
- 4 "SAFE CHECK" SIDE COUPLING INDICATOR**  
THE 'SAFE CHECK' SIDE INDICATOR ALLOWS THE QUICK COUPLER'S FULL CONTROL OVER THE ADAPTER.IT PERMITS TO CHECK IF THE QUICK COUPLER IS IN THE RIGHT POSITION TO ENSURE CORRECT COUPLING ONCE THE PINS ARE OUT..

**OPTIONAL**

- 5 HYDRAULIC INSTALLATION KIT**  
WITH THE HYDRAULIC QUICK COUPLER THE INSTALLATION KIT CAN BE PROVIDED, INCLUDING SOLENOID VALVE AND ELECTRIC SWITCH WITH MAGNETS TO EASILY PUT IT INSIDE THE CAB
- 6 LIFTING HOOK**  
A HOOK APPROVED FOR LIFTING OPERATIONS CAN BE WELDED DIRECTLY ON THE QUICK COUPLER.
- 7 CS ADAPTER**  
THE ADAPTER APPLIED TO ANY TOOL ENABES THE COUPLING WITH THE CS SCHNAPPMATIC D.E. QUICK COUPLER.
- 8 JANUS PRO ADAPTER**  
THE JANUS PRO ADAPTER MAKES THE TOOL REVERSIBLE.

**HYDRAULIC DOUBLE ACTION**



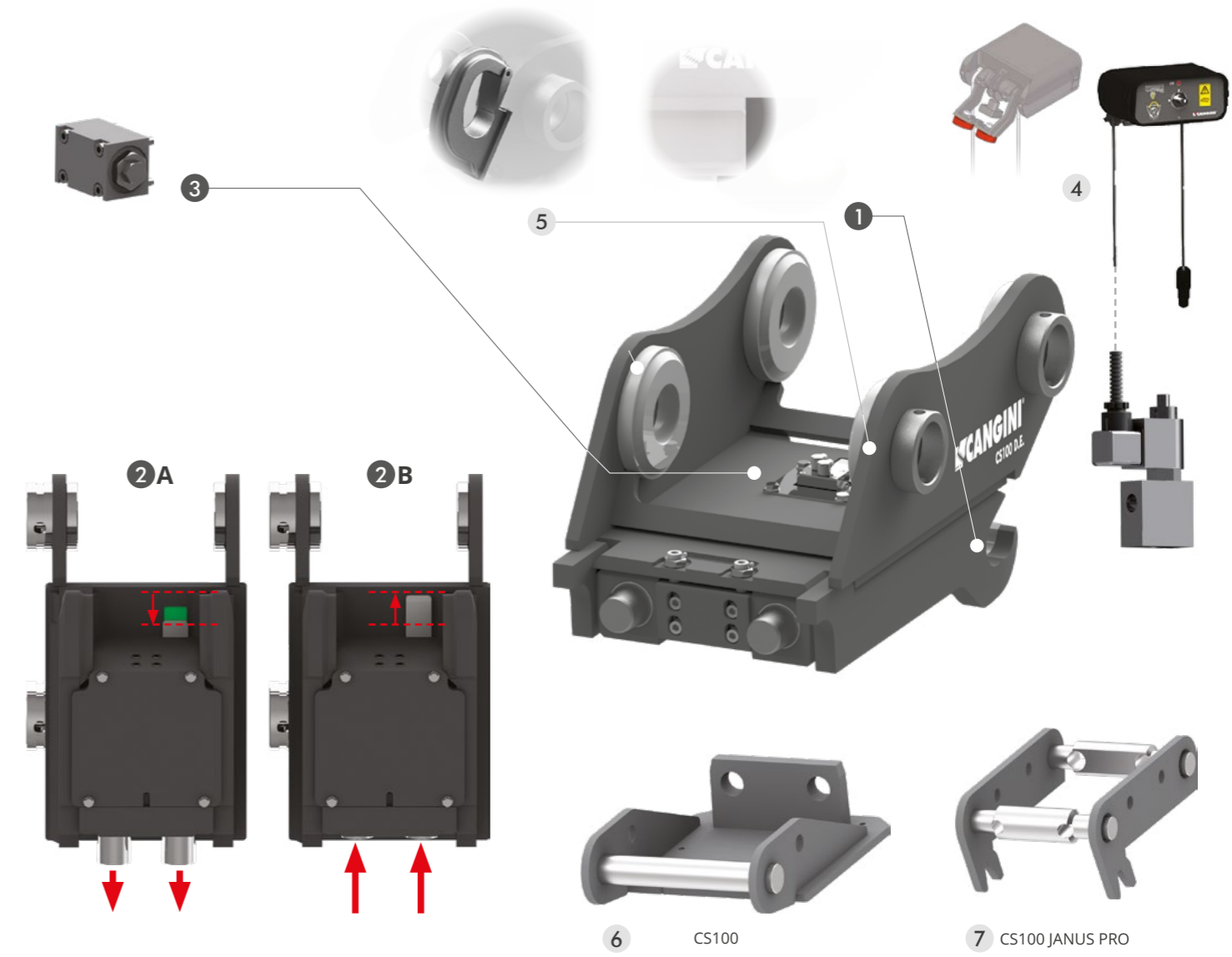
TONS (LB)	0,6 - 2,5 (1323 - 5512)		2,5 - 6,0 (5512 - 13227)		5,0 - 12,0 (11023 - 26455)	
MOD.	CS10 D.E.		CS30 D.E.		CS80 D.E.	
<b>A</b> MM (IN)	250 (9,8)	316 (12,5)	436 (17,2)			
<b>B</b> MM (IN)	180 (7,1)	200 (8)	290 (11)			
<b>C</b> MM (IN)	72 (2,8)	78 (3,1)	105 (4,1)			
<b>Ø</b> MM (IN)	40 (1,6)	50 (2,0)	60 (2,4)			
<b>W/O COUPLER</b>	KG (LB)	16 (35)	25 (55)	61 (135)		
<b>MAX</b>	BAR (PSI)	200 (2901)	200 (2901)	200 (2901)		

**NB\*** THE LIFTING CAPACITY OF THE HOOK IS ADJUSTED ACCORDING TO THE SUPPORT TO WHICH THE HOOK IS APPLIED.



**NB: AT THE TIME OF ORDER, PLEASE NOTIFY THE VOLTAGE OF THE ELECTRICAL SYSTEM (12-24 V)**

THE CS SCHNAPPMATIC D.E. QUICK COUPLER, WITH ITS **DOUBLE ACTION** SYSTEM, MANAGES THE LOCKING AND UNLOCKING OPERATIONS DIRECTLY FROM THE CAB IN A FEW SECONDS. IT IS EQUIPPED WITH DIFFERENT SAFETY SYSTEMS, SUCH AS THE VISUAL INDICATOR FOR THE LOCKING STATUS CONTROL, THE STANDARD BLOCK VALVE AND THE DOUBLE-NOTCH PROFILE OF THE FORK. THE HB400 FORK MAKES THE QUICK COUPLER SUITED TO HIGH WORKLOADS AND GRANTS ITS LONG USEFUL LIFE. THE MODEL FOR MACHINES FROM 12 TO 19 TONS IS THE CS100 SCHNAPPMATIC D.E., DEFINED BY CONE-SHAPED PINS THAT GRANT AN EFFICIENT EQUILIBRIUM OF FORCES.



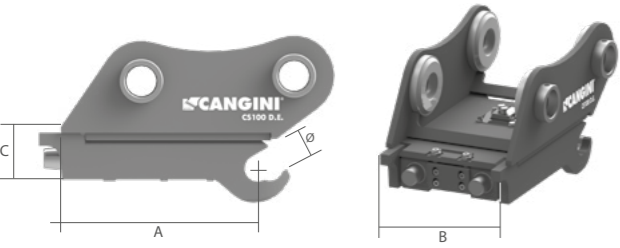
**STANDARD TECHNICAL FEATURES**

- 1 FORK'S DOUBLE PROFILE**  
NEW DOUBLE CRADLE PROFILE CREATE A GREATER OBSTACLE TO THE ACCIDENTAL FALL OF THE TOOL.
- 2 VISUAL MARKER OF THE COUPLING CONDITION**  
THANKS TO THE VISUAL MARKER ON THE COUPLER, THE DISPLAY OF THE COUPLING CONDITION IS EASY AND IMMEDIATE:  
**A** LOCKED PINS    **B** UNLOCKED PINS
- 3 SAFETY BLOCK VALVE**  
IT ALLOWS THE QUICK COUPLER TO HOLD ITS POSITION EVEN IN THE CASE OF A PRESSURE LOSS ON THE HYDRAULIC LINE.

**OPTIONAL**

- 4 HYDRAULIC INSTALLATION KIT**  
WITH THE HYDRAULIC QUICK COUPLER THE INSTALLATION KIT CAN BE PROVIDED, INCLUDING SOLENOID VALVE AND ELECTRIC SWITCH WITH MAGNETS TO EASILY PUT IT INSIDE THE CAB
- 5 LIFTING HOOK**  
A HOOK APPROVED FOR LIFTING OPERATIONS CAN BE WELDED DIRECTLY ON THE QUICK COUPLER.
- 6 CS ADAPTER**  
THE ADAPTER APPLIED TO ANY TOOL ENABLES THE COUPLING WITH THE CS SCHNAPPMATIC D.E. QUICK COUPLER.
- 7 JANUS PRO ADAPTER**  
THE JANUS PRO ADAPTER MAKES THE TOOL REVERSIBLE.

**HYDRAULIC DOUBLE ACTION**



TONS (LB)	12,0 - 19,0 (26455 - 41888)	
MOD.	CS100 D.E.	
<b>A</b> MM (IN)	520	(20,5)
<b>B</b> MM (IN)	395	(15,6)
<b>C</b> MM (IN)	172	(6,8)
<b>Ø</b> MM (IN)	70	(2,7)
W/O COUPLER	KG (LB)	130 (287)
MAX	BAR (PSI)	200 (2900)

**NB\*** THE LIFTING CAPACITY OF THE HOOK IS ADJUSTED ACCORDING TO THE SUPPORT TO WHICH THE HOOK IS APPLIED



**NB: AT THE TIME OF ORDER, PLEASE NOTIFY THE VOLTAGE OF THE ELECTRICAL SYSTEM (12-24 V)**

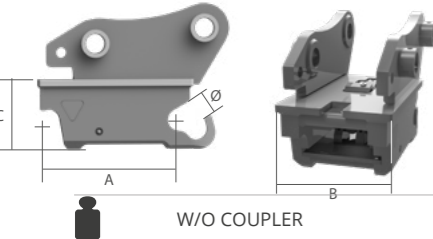
THE REVERSIBLE M'LOCK QUICK COUPLER IS EQUIPPED WITH THE MOST ADVANCED SAFETY SYSTEMS: THE FRONT SAFETY SYSTEM THAT IS ACTIVATED WHEN THE PINS COME OUT; THE FORK WITH ITS NEW DOUBLE-NOTCH PROFILE; THE VISUAL INDICATOR THAT SHOWS THE OPERATOR THE LOCKING STATUS FROM THE CAB. SIDES ARE MADE IN HB400.

THANKS TO ITS SEMI-AUTOMATIC SYSTEM, THE MECHANICAL VERSION REQUIRES THE OPERATOR'S INTERVENTION ONLY DURING THE UNLOCKING PHASE, WHILE THE LOCKING FUNCTION IS AUTOMATIC.

WITH ITS **DOUBLE ACTION** SYSTEM, THE HYDRAULIC VERSION ALLOWS TO MANAGE BOTH THE LOCKING AND UNLOCKING OPERATIONS DIRECTLY FROM THE CAB IN A FEW SECONDS.

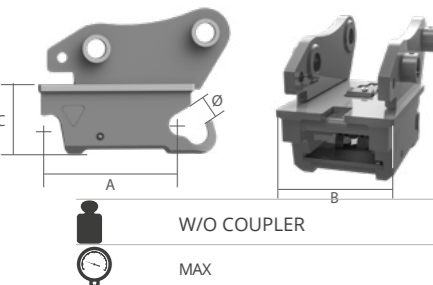
**MECHANICAL**

TONS (LB)	1,0 - 2,5 (2205 - 5512)	2,5 - 4,0 (5512 - 8818)	4,0 - 7,5 (8818 - 16535)	7,5 - 10,0 (16535 - 22046)
<b>MOD.</b>	<b>M'LOCK 30 S.A.</b>	<b>M'LOCK 30 S.A.</b>	<b>M'LOCK 100 S.A.</b>	<b>M'LOCK 100 S.A.</b>
<b>A</b> MM (IN)	180 (7,1)	180 (7,1)	292 (11)	292 (11)
<b>B</b> MM (IN)	180 (7,1)	180 (7,1)	228 (9)	228 (9)
<b>C</b> MM (IN)	124 (5)	124 (5)	157 (6)	157 (6)
<b>Ø</b> MM (IN)	35 (1,3)	35 (1,3)	50 (1,9)	50 (1,9)
<b>KG (LB)</b>	19 (42)	19 (42)	45 (99)	45 (99)



**HYDRAULIC DOUBLE ACTION**

TONS (LB)	1,0 - 2,5 (2205 - 5512)	2,5 - 4,0 (5512 - 8818)	4,0 - 7,5 (8818 - 16535)	7,5 - 10,0 (16535 - 22046)	10,0 - 18,0 (22046 - 39683)
<b>MOD.</b>	<b>M'LOCK 30 D.E.</b>	<b>M'LOCK 30 D.E.</b>	<b>M'LOCK 100 D.E.</b>	<b>M'LOCK 100 D.E.</b>	<b>M'LOCK 180 D.E.</b>
<b>A</b> MM (IN)	180 (7,1)	180 (7,1)	292 (11)	292 (11)	376 (15)
<b>B</b> MM (IN)	180 (7,1)	180 (7,1)	228 (9)	228 (9)	306 (12)
<b>C</b> MM (IN)	124 (5)	124 (5)	157 (6)	157 (6)	177 (6,9)
<b>Ø</b> MM (IN)	35 (1,3)	35 (1,3)	50 (1,9)	50 (1,9)	65 (2,6)
<b>KG (LB)</b>	18 (40)	18 (40)	46 (101)	46 (101)	85 (187)
<b>MAX</b>	<b>BAR (PSI)</b>	200 (2901)	200 (2901)	200 (2901)	200 (2901)



**STANDARD TECHNICAL FEATURES**

**1 "SAFE CHECK" SIDE COUPLING INDICATOR**

THE 'SAFE CHECK' SIDE INDICATOR ALLOWS THE QUICK COUPLER'S FULL CONTROL OVER THE ADAPTER. IT PERMITS TO CHECK IF THE QUICK COUPLER IS IN THE RIGHT POSITION TO ENSURE CORRECT COUPLING ONCE THE PINS ARE OUT..

**2 FORK'S DOUBLE PROFILE**

NEW DOUBLE CRADLE PROFILE CREATE A GREATER OBSTACLE TO THE ACCIDENTAL FALL OF THE TOOL.

**3 VISUAL MARKER OF THE COUPLING CONDITION**

THANKS TO THE VISUAL MARKER ON THE COUPLER, THE DISPLAY OF THE COUPLING CONDITION IS EASY AND IMMEDIATE:  
**A** LOCKED PINS    **B** UNLOCKED PINS

**4 SAFETY BLOCK VALVE**

IT ALLOWS THE QUICK COUPLER TO HOLD ITS POSITION EVEN IN THE CASE OF A PRESSURE LOSS ON THE HYDRAULIC LINE.

**OPTIONAL**

**5 HYDRAULIC INSTALLATION KIT**

WITH THE HYDRAULIC QUICK COUPLER THE INSTALLATION KIT CAN BE PROVIDED, INCLUDING SOLENOID VALVE AND ELECTRIC SWITCH WITH MAGNETS TO EASILY PUT IT INSIDE THE CAB

**6 LIFTING HOOK**

A HOOK APPROVED FOR LIFTING OPERATIONS CAN BE WELDED DIRECTLY ON THE QUICK COUPLER.

**NB\* THE LIFTING CAPACITY OF THE HOOK IS ADJUSTED ACCORDING TO THE SUPPORT TO WHICH THE HOOK IS APPLIED**

**7 ADAPTER**

THE ADAPTER APPLIED TO ANY TOOL ENABLES THE COUPLING WITH THE M'LOCK QUICK COUPLER.

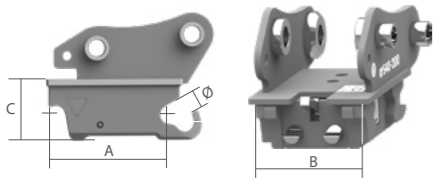
- PATENTED
- APPROVED SWISS MARKET
- HB400



**NB: AT THE TIME OF ORDER, PLEASE NOTIFY THE VOLTAGE OF THE ELECTRICAL SYSTEM (12-24 V)**

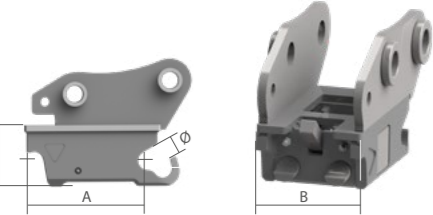
THE S NORDIC SYSTEM **REVERSIBLE** QUICK COUPLER ENABLES THE FAST LOCKING AND UNLOCKING OF THE ATTACHMENT TOOLS CONSIDERABLY REDUCING THE TIME FOR THEIR REPLACEMENT. HB400 SIDE PLATES. THE MECHANICAL VERSION IS PROVIDED WITH A SEMI-AUTOMATIC SYSTEM THAT REQUIRES THE MANUAL INTERVENTION WHEN THE TOOL HAS TO BE RELEASED. THE LOCKING OF THE NEW TOOL IS AN AUTOMATIC OPERATION. IN THE HYDRAULIC VERSION, WITH ITS **DOUBLE ACTION** SYSTEM, ALL THESE FUNCTIONS ARE MANAGED DIRECTLY FROM THE CAB.

**MECHANIC SEMI-AUTOMATIC**

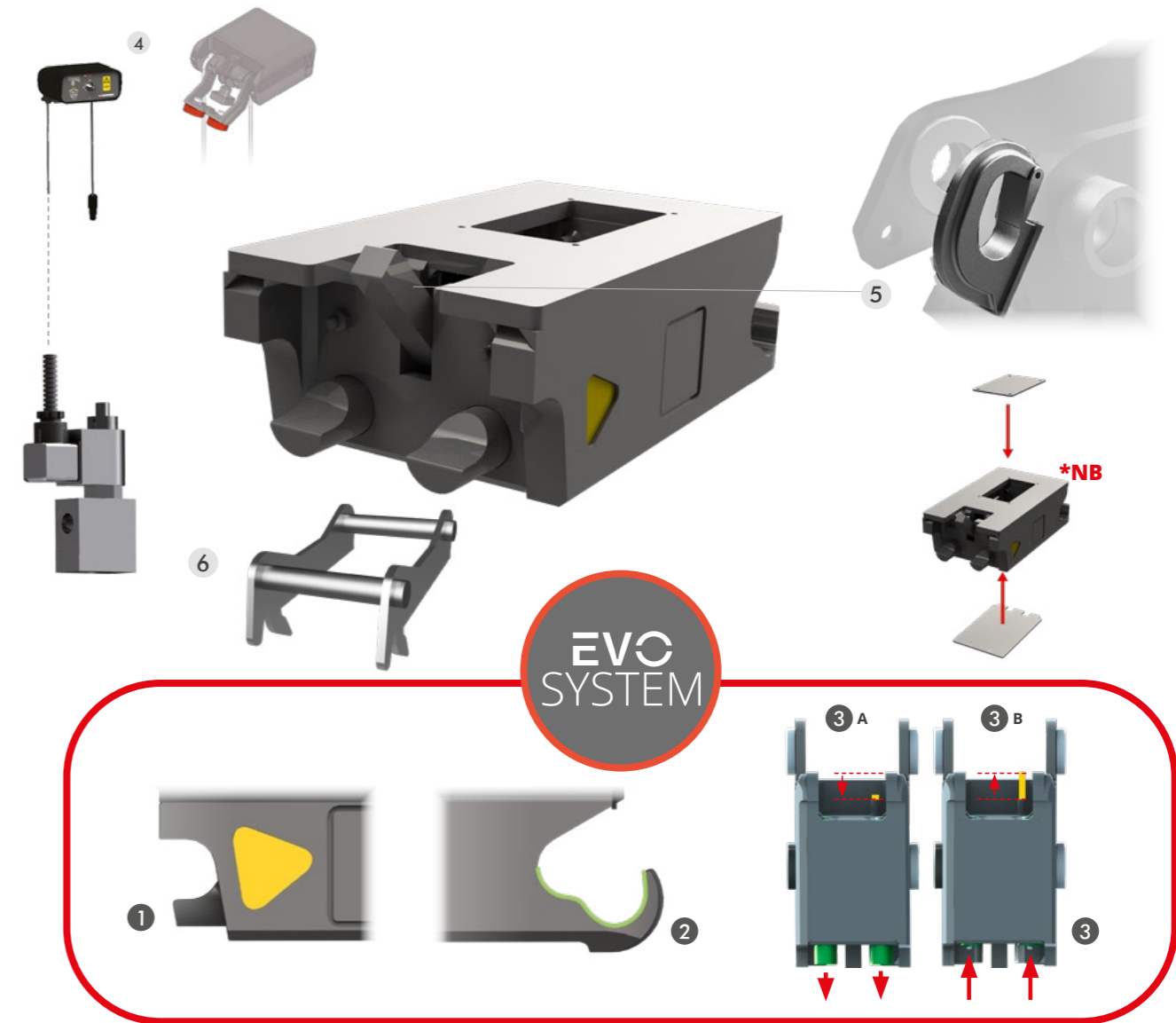


TONS (LB)	0,6 - 2,5 (1323 - 5512)		2,5 - 6,0 (5512 - 13228)	
MOD.	S30-150	S30-180	S40-200	
<b>A</b> MM (IN)	200 (8)	230 (9)	300 (12)	
<b>B</b> MM (IN)	150 (6)	180 (7)	200 (8)	
<b>C</b> MM (IN)	85 (3,3)	85 (3,3)	117 (4,6)	
<b>Ø</b> MM (IN)	30 (1,2)	30 (1,2)	40 (1,6)	
<b>W/O COUPLER</b>	KG (LB)	11 (24)	14 (33)	28 (62)

**HYDRAULIC DOUBLE ACTION**



TONS (LB)	0,6 - 2,5 (1323 - 5512)		2,5 - 6,0 (5512 - 13228)		6,0 - 12,0 (13228 - 26455)		12,0 - 18,0 (26455 - 39683)	
MOD.	S30-150 D.E.	S30-180 D.E.	S40-200 D.E.	S45 D.E.	S50 D.E.	S60 D.E.		
<b>A</b> MM (IN)	200 (8)	230 (9)	300 (12)	430 (17)	430 (17)	480 (19)		
<b>B</b> MM (IN)	150 (6)	180 (7)	200 (8)	290 (11)	270 (11)	340 (13)		
<b>C</b> MM (IN)	85 (3,3)	85 (3,3)	117 (4,6)	138 (5,4)	141 (5,5)	163 (6,4)		
<b>Ø</b> MM (IN)	30 (1,2)	30 (1,2)	40 (1,6)	45 (1,8)	50 (2)	60 (2,4)		
<b>W/O COUPLER</b>	KG (LB)	12 (26)	15 (33)	29 (64)	72 (159)	70 (110)	112 (247)	
<b>MAX</b>	BAR (PSI)	250 (3626)	250 (3626)	250 (3626)	250 (3626)	250 (3626)	250 (3626)	



**STANDARD TECHNICAL FEATURES**

- 1 "SAFE CHECK" SIDE COUPLING INDICATOR**  
THE 'SAFE CHECK' SIDE INDICATOR ALLOWS THE QUICK COUPLER'S FULL CONTROL OVER THE ADAPTER. IT PERMITS TO CHECK IF THE QUICK COUPLER IS IN THE RIGHT POSITION TO ENSURE CORRECT COUPLING ONCE THE PINS ARE OUT.
- 2 FORK'S DOUBLE PROFILE**  
NEW DOUBLE CRADLE PROFILE CREATE A GREATER OBSTACLE TO THE ACCIDENTAL FALL OF THE TOOL.
- 3 VISUAL MARKER OF THE COUPLING CONDITION**  
THANKS TO THE VISUAL MARKER ON THE COUPLER, THE DISPLAY OF THE COUPLING CONDITION IS EASY AND IMMEDIATE:  
**A** LOCKED PINS    **B** UNLOCKED PINS

**\*NB: THE QUICK COUPLER IS SUPPLIED AS STANDARD WITHOUT UPPER AND LOWER COVERS. UPON REQUEST IT CAN BE SUPPLIED COMPLETE WITH UPPER AND LOWER CARDS.**

**OPTIONAL**

- 4 HYDRAULIC INSTALLATION KIT**  
WITH THE HYDRAULIC QUICK COUPLER THE INSTALLATION KIT CAN BE PROVIDED, INCLUDING SOLENOID VALVE AND ELECTRIC SWITCH WITH MAGNETS TO EASILY PUT IT INSIDE THE CAB
- 5 LIFTING HOOK**  
A HOOK APPROVED FOR LIFTING OPERATIONS CAN BE WELDED DIRECTLY ON THE QUICK COUPLER.  
**NB\* THE LIFTING CAPACITY OF THE HOOK IS ADJUSTED ACCORDING TO THE SUPPORT TO WHICH THE HOOK IS APPLIED**
- 6 S ADAPTER**  
THE ADAPTER APPLIED TO ANY TOOL ENABLES THE COUPLING WITH THE S QUICK COUPLER.



**NB: AT THE TIME OF ORDER, PLEASE NOTIFY THE VOLTAGE OF THE ELECTRICAL SYSTEM (12-24 V)**

THE PL H PIN LOCK HYDRAULIC VERSION ENABLES THE LOCKING AND UNLOCKING OF THE TOOLS WITH FIXED COUPLING SYSTEM. THE LOCKING IS MADE DIRECTLY ON THE BUCKET OR TOOL'S PINS. IN THE MECHANICAL VERSION THE LOCKING AND UNLOCKING STEPS ARE MANUALLY OPERATED BY USING A SPECIAL SPANNER. IN THE HYDRAULIC VERSION THE TOOLS' CHANGING OPERATIONS CAN BE MANAGED DIRECTLY FROM THE CAB. HYDRAULIC **DOUBLE ACTION** CYLINDER WITH BLOCK VALVE.

MECHANIC	TONS (LB)	0,6 - 1,2 (1323 - 2646)		1,2 - 2,5 (2646 - 5512)		2,5 - 4,0 (5512 - 8819)		4,0 - 7,5 (8819 - 16535)		7,5 - 10,0 (16535 - 22046)	
	MOD.	PL10	PL20	PL40	PL60	PL80					
	A MM (IN)	190 (7,5)	225 (9)	255 (10)	360 (14)	425 (17)					
	B MM (IN)	200 (8)	220 (9)	260 (10)	290 (11)	315 (12)					
	C MM (IN)	115 (4,5)	120 (4,7)	130 (5,1)	160 (6,3)	180 (7,1)					
W/O COUPLER	KG (LB)	12 (26)	15 (33)	20 (44)	52 (115)	66 (146)					

HYDRAULIC DOUBLE ACTION	TONS (LB)	2,5 - 4,0 (5512 - 8819)		4,0 - 7,5 (8819 - 16535)		7,5 - 10,0 (16535 - 22046)		10,0 - 14,0 (22046 - 30865)	
	MOD.	PL40 D.E.	PL60 D.E.	PL80 D.E.	PL100 D.E.				
	A MM (IN)	255 (10)	360 (14)	425 (17)	480 (19)				
	B MM (IN)	260 (10)	290 (11)	315 (12)	400 (16)				
	C MM (IN)	130 (5,1)	160 (6,3)	180 (7,1)	220 (9)				
W/O COUPLER	KG (LB)	30 (66)	55 (121)	68 (150)	125 (276)				
MAX	bar (psi)	200 (2901)	200 (2901)	200 (2901)	200 (2901)				



**OPTIONAL**

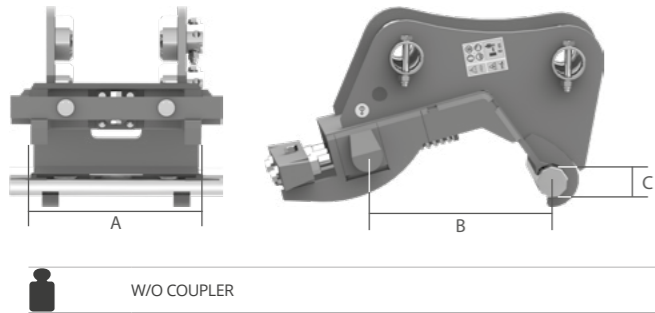
- 1 **HYDRAULIC INSTALLATION KIT**  
WITH THE HYDRAULIC QUICK COUPLER THE INSTALLATION KIT CAN BE PROVIDED, INCLUDING SOLENOID VALVE AND ELECTRIC SWITCH WITH MAGNETS TO EASILY PUT IT INSIDE THE CAB
- 2 **LIFTING HOOK**  
A HOOK APPROVED FOR LIFTING OPERATIONS CAN BE WELDED DIRECTLY ON THE QUICK COUPLER.  
**NB\* THE LIFTING CAPACITY OF THE HOOK IS ADJUSTED ACCORDING TO THE SUPPORT TO WHICH THE HOOK IS APPLIED**
- 3 **INTERFACE**
- 4 **SET OF PINS**



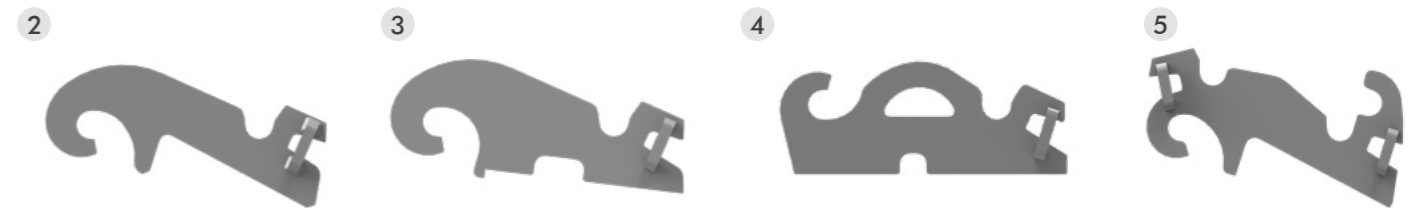
**NB: AT THE TIME OF ORDER, PLEASE NOTIFY THE VOLTAGE OF THE ELECTRICAL SYSTEM (12-24 V)**

THE PATENTED SEMI-AUTOMATIC CW AUTO'LOCK QUICK COUPLER ENABLES THE FAST LOCKING AND UNLOCKING OF THE ATTACHMENTS, CONSIDERABLY REDUCING THE TIME FOR THEIR REPLACEMENT. IT IS PROVIDED WITH A SEMI-AUTOMATIC SYSTEM THAT REQUIRES THE MANUAL INTERVENTION WHEN THE TOOL HAS TO BE RELEASED. BOTH THE LOCKING AND THE SAFE BLOCKING OF THE NEW TOOL ARE AUTOMATICALLY OPERATED.

**SEMI-AUTOMATIC**



TONS (LB)	0,6 - 4,0 (1323 - 8818)	4,0 - 10,0 (8818 - 22046)
MOD.	CW05 S.A.	CW10 S.A.
<b>A</b> MM (IN)	175 (6,9)	305 (12)
<b>B</b> MM (IN)	200 (7,9)	300 (11,9)
<b>C</b> MM (IN)	40 (1,6)	50 (2)
KG (LB)	24 (53)	74 (163)



**OPTIONAL**

- 1 LIFTING HOOK**  
A HOOK APPROVED FOR LIFTING OPERATIONS CAN BE WELDED DIRECTLY ON THE QUICK COUPLER.
- 2 CW ON HINGE**  
RECOMMENDED APPLICATION ON BUCKETS.
- 3 CW FOR TILTING BUCKETS**  
RECOMMENDED APPLICATIONS ON TILTING BUCKETS.
- 4 REVERSE CW**  
RECOMMENDED APPLICATION ON FLAT PLATES, SUCH AS ADAPTER PLATES, MULCHERS, SHEARS, ETC.
- 5 REVERSIBLE CW**  
RECOMMENDED APPLICATIONS ON BUCKETS USED IN BACK OR FRONT DIGGING WORKS.

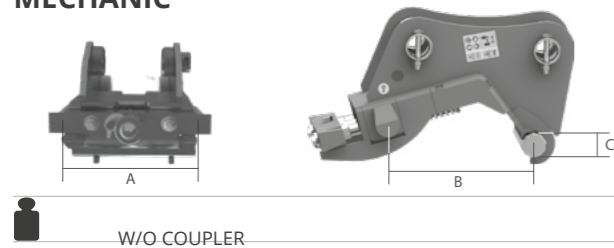
**NB\*** THE LIFTING CAPACITY OF THE HOOK IS ADJUSTED ACCORDING TO THE SUPPORT TO WHICH THE HOOK IS APPLIED



**NB: AT THE TIME OF ORDER, PLEASE NOTIFY THE VOLTAGE OF THE ELECTRICAL SYSTEM (12-24 V)**

THE HAND'O'LOCK QUICK COUPLER ALLOWS THE FAST REPLACEMENT OF THE ATTACHMENT TOOLS. THANKS TO ITS SIMPLE AND STRONG FRAME IT CAN RELY ON AN EXCELLENT QUALITY-PRICE RATIO. IN ITS HYDRAULIC VERSION WITH ITS **DOUBLE ACTION** SYSTEM, IT ENABLES THE FULLY AUTOMATIC LOCKING AND UNLOCKING OPERATIONS.

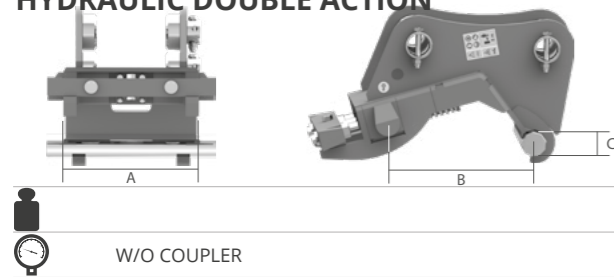
**MECHANIC**



TONS (LB)	0,6 - 1,2 (1323 - 2646)	0,6 - 4,0 (1323 - 8818)	4,0 - 10,0 (8818 - 22046)
<b>MOD.</b>	<b>CW 00</b>	<b>CW 05</b>	<b>CW 10</b>
<b>A</b> MM (IN)	144 (5,7)	175 (6,9)	305 (12)
<b>B</b> MM (IN)	150 (5,9)	200 (7,9)	300 (11,9)
<b>C</b> MM (IN)	30 (1,2)	40 (1,6)	50 (2)
KG (LB)	10 (22)	14 (31)	42 (93)

W/O COUPLER

**HYDRAULIC DOUBLE ACTION**



TONS (LB)	0,6 - 4,0 (1323 - 8818)	4,0 - 10,0 (8818 - 22046)	7,5 - 15,0 (16535 - 33069)	15,0 - 25,0 (33069 - 55116)
<b>MOD.</b>	<b>CW 05 D.E.</b>	<b>CW 10 D.E.</b>	<b>CW 20S D.E.</b>	<b>CW 20 D.E.</b>
<b>A</b> MM (IN)	175 (6,9)	305 (12)	420 (16,5)	550 (21,6)
<b>B</b> MM (IN)	200 (7,9)	300 (11,9)	475 (18,7)	475 (18,7)
<b>C</b> MM (IN)	40 (1,6)	50 (2)	60 (2,3)	60 (2,3)
KG (LB)	15 (33)	43 (95)	110 (242,5)	180 (396,8)
bar (psi)	250 (3626)	250 (3626)	250 (3626)	250 (3626)

W/O COUPLER

MAX
















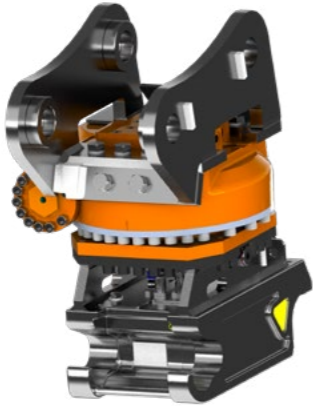




ON REQUEST ON REQUEST



**OPTIONAL**

- 1 HYDRAULIC INSTALLATION KIT**  
WITH THE HYDRAULIC QUICK COUPLER THE INSTALLATION KIT CAN BE PROVIDED, INCLUDING SOLENOID VALVE AND ELECTRIC SWITCH WITH MAGNETS TO EASILY PUT IT INSIDE THE CAB
- 2 LIFTING HOOK**  
A HOOK APPROVED FOR LIFTING OPERATIONS CAN BE WELDED DIRECTLY ON THE QUICK COUPLER.  
**NB\* THE LIFTING CAPACITY OF THE HOOK IS ADJUSTED ACCORDING TO THE SUPPORT TO WHICH THE HOOK IS APPLIED**
- 3 CW ON HINGE**  
RECOMMENDED APPLICATION ON BUCKETS.
- 4 CW FOR TILTING BUCKETS**  
RECOMMENDED APPLICATIONS ON TILTING BUCKETS.
- 5 REVERSE CW**  
RECOMMENDED APPLICATION ON FLAT PLATES, SUCH AS ADAPTER PLATES, MULCHERS, SHEARS, ETC.
- 6 REVERSIBLE CW**  
RECOMMENDED APPLICATIONS ON BUCKETS USED IN BACK OR FRONT DIGGING WORKS.

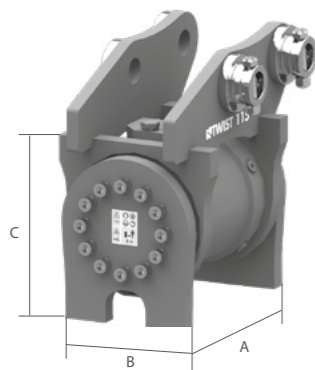


<p>TWIST</p> <p>30</p>				<p>BOLTED-IN ADAPTER PLATE</p> <p>52</p>		
<p>TWIST KS</p> <p>34</p>				<p>BOLTED-IN ADAPTER PLATE</p> <p>52</p>		
<p>ROTOTWIST NOX TR</p> <p>40</p>				<p>ON-PINS ADAPTER PLATE</p> <p>54</p>		
<p>GIROBOX GB</p> <p>46</p>				<p>ON-PINS ADAPTER PLATE</p> <p>54</p>		

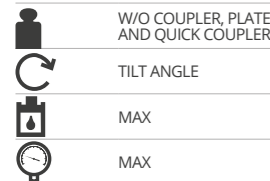


**NB:** AT THE TIME OF ORDER, PLEASE NOTIFY THE VOLTAGE OF THE ELECTRICAL SYSTEM (12-24 V)

THE BI-DIRECTIONAL HYDRAULIC ACTUATOR ENABLES TO TILT TOOLS OR QUICK COUPLERS AND TO SIMPLIFY THE DIGGING OPERATIONS ALSO IN PLACES DIFFICULT TO REACH.



TONS (LB)	1,2 - 2,0 (2646 - 5511)	1,8 - 4,0 (5511 - 8818)	4,0 - 6,0 (8818 - 13228)	6,0 - 9,0 (13228 - 19842)	9,0 - 11,0 (19842 - 24251)	11,0 - 16,0 (24251 - 35274)	15,0 - 23,0 (33069 - 50706)	
<b>MOD.</b>	<b>TWIST 100</b>	<b>TWIST 115</b>	<b>TWIST 125</b>	<b>TWIST 160</b>	<b>TWIST 180</b>	<b>TWIST 240</b>	<b>TWIST 250</b>	
<b>A</b> MM (IN)	245 (9,6)	315 (12,4)	325 (12,8)	420 (16,5)	485 (19,1)	532 (20,9)	580 (22,8)	
<b>B</b> MM (IN)	190 (7,5)	235 (7,4)	188 (7,4)	220 (8,6)	315 (12,4)	345 (13,6)	412 (16,2)	
<b>C</b> MM (IN)	203 (8,0)	215 (8,5)	265 (10,4)	290 (11,4)	345 (13,6)	400 (15,7)	420 (16,5)	
<b>W/O COUPLER, PLATE AND QUICK COUPLER</b>	KG (LB)	27 (60)	43 (95)	61 (135)	113 (249)	150 (331)	206 (454)	330 (729)
<b>TILT ANGLE</b>		178	178	178	178	180	180	180
<b>MAX</b>	L/MIN (GAL/MIN)	8 (2,1)	10 (2,6)	15 (3,9)	25 (6,6)	30 (7,9)	30 (7,9)	40 (10,5)
<b>MAX</b>	BAR (PSI)	210 (3046)	210 (3046)	210 (3046)	210 (3046)	190 (2756)	250 (3626)	250 (3626)



**STANDARD TECHNICAL FEATURES**

**1 BLOCK VALVE**  
IT ENABLES TO KEEP THE POSITION DECIDED BY THE OPERATOR.

**OPTIONAL**

**2 HYDRAULIC INSTALLATION KIT**  
WITH THE HYDRAULIC QUICK COUPLER THE INSTALLATION KIT CAN BE PROVIDED, INCLUDING SOLENOID VALVE AND ELECTRIC SWITCH WITH MAGNETS TO EASILY PUT IT INSIDE THE CAB.  
AVAILABLE IN SINGLE EFFECT VERSION (A) OR IN D.E. VERSION - DOUBLE EFFECT (B)

**3 LIFTING HOOK**  
A HOOK APPROVED FOR LIFTING OPERATIONS CAN BE WELDED DIRECTLY ON THE TWIST.

**MATCHING QUICK COUPLERS**

- 4 AR Fast Lock
- 5 CR Twin Lock • CR Twin Lock D.E.
- 6 CS Schnappmatic • CS Schnappmatic D.E.
- 7 CS Schnappmatic D.E. CS 100
- 8 M'LOCK SA-M'LOCK DE
- 9 S Nordic System • S Nordic System D.E.
- 10 PL Pin Lock • PL Pin Lock D.E.
- 11 CW Aut'o'Lock
- 12 CW Hand'o'Lock • CW Hand'o'Lock D.E.

**NB\*** THE LIFTING CAPACITY OF THE HOOK IS ADJUSTED ACCORDING TO THE SUPPORT TO WHICH THE HOOK IS APPLIED

## MATCHING QUICK COUPLERS



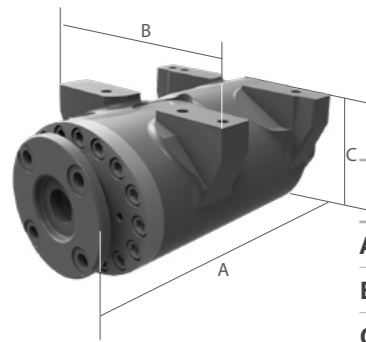
		TONS (LB)	1,2 - 2,0 (2646 - 3968)	1,8 - 2,5 (3968 - 5512)	2,5 - 4,0 (5512 - 8818)		4,0 - 5,0 (8818 - 11023)	5,0 - 6,0 (11023 - 13228)	6,0 - 7,5 (13228 - 16535)	7,5 - 9,0 (16535 - 19842)	9,0 - 10,0 (19842 - 22046)	10,0 - 12,0 (22046 - 26456)	11,0 - 16,0 (24251 - 35274)	15,0 - 23,0 (33069 - 50706)
			<b>TWIST 100</b>	<b>TWIST 115</b>	<b>TWIST 115</b>		<b>TWIST 125</b>	<b>TWIST 125</b>	<b>TWIST 160</b>	<b>TWIST 160</b>	<b>TWIST 180</b>	<b>TWIST 180</b>	<b>TWIST 240</b>	<b>TWIST 250</b>
4	AR FAST LOCK MECHANICAL SEMI-AUTOMATIC		<b>AR 15 S.A.</b>	<b>AR 30 S.A.</b>	<b>AR 40 S.A.</b>		<b>AR 50 S.A.</b>	<b>AR 50 S.A.</b>	<b>AR 70 S.A.</b>	-	-	-	-	-
	AR FAST LOCK HYDRAULIC SINGLE EFFECT		<b>AR 15 S.E.</b>	<b>AR 30 S.E.</b>	<b>AR 40 S.E.</b>		<b>AR 50 S.E.</b>	<b>AR 50 S.E.</b>	<b>AR 70 S.E.</b>	-	-	-	-	-
5	CR TWIN LOCK MECHANICAL SEMI-AUTOMATIC		<b>CR 15 S.A.</b>	<b>CR 30 S.A.</b>	<b>CR 40 S.A.</b>		<b>CR 50 S.A.</b>	<b>CR 50 S.A.</b>	<b>CR 70 S.A.</b>	<b>CR 70 S.A.</b>	<b>CR 70 S.A.</b>	<b>CR 70 S.A.</b>	-	-
	CR TWIN LOCK HYDRAULIC SINGLE EFFECT		<b>CR 15 S.E.</b>	<b>CR 30 S.E.</b>	<b>CR 40 S.E.</b>		<b>CR 50 S.E.</b>	<b>CR 50 S.E.</b>	<b>CR 70 S.E.</b>	<b>CR 70 S.E.</b>	<b>CR 70 S.E.</b>	<b>CR 70 S.E.</b>	-	-
	CR TWIN LOCK HYDRAULIC DOUBLE EFFECT		<b>CR 15 D.E.</b>	<b>CR 30 D.E.</b>	<b>CR 40 D.E.</b>		<b>CR 50 D.E.</b>	<b>CR 50 D.E.</b>	<b>CR 70 D.E.</b>	<b>CR 70 D.E.</b>	<b>CR 70 D.E.</b>	<b>CR 70 D.E.</b>	-	-
6	CS SCHNAPPMATIC MECHANICAL SEMI-AUTOMATIC		<b>CS 10 S.A.</b>	<b>CS 10 S.A.</b>	<b>CS 30 S.A.</b>		<b>CS 30 S.A.</b>	<b>CS 80 S.A.</b>	<b>CS 80 S.A.</b>	<b>CS 80 S.A.</b>	<b>CS 80 S.A.</b>	<b>CS 80 S.A.</b>	-	-
	CS SCHNAPPMATIC HYDRAULIC SINGLE EFFECT		<b>CS 10 S.E.</b>	<b>CS 10 S.E.</b>	<b>CS 30 S.E.</b>		<b>CS 30 S.E.</b>	<b>CS 80 S.E.</b>	<b>CS 80 S.E.</b>	<b>CS 80 S.E.</b>	<b>CS 80 S.E.</b>	<b>CS 80 S.E.</b>	-	-
	CS SCHNAPPMATIC HYDRAULIC DOUBLE EFFECT		<b>CS 10 D.E.</b>	<b>CS 10 D.E.</b>	<b>CS 30 D.E.</b>		<b>CS 30 D.E.</b>	<b>CS 80 D.E.</b>	<b>CS 80 D.E.</b>	<b>CS 80 D.E.</b>	<b>CS 80 D.E.</b>	<b>CS 80 D.E.</b>	-	-
7	CS 100 SCHNAPPMATIC HYDRAULIC DOUBLE EFFECT		-	-	-		-	-	-	-	-	-	<b>CS 100 D.E.</b>	<b>CS 100 D.E.*</b>
8	M'LOCK MECHANICAL SEMI-AUTOMATIC		<b>M'LOCK 30 S.A.</b>	<b>M'LOCK 30 S.A.</b>	<b>M'LOCK 30 S.A.</b>		<b>M'LOCK 100 S.A.</b>	<b>M'LOCK100 S.A.</b>	<b>M'LOCK 100 S.A.</b>	<b>M'LOCK 100 S.A.</b>	<b>M'LOCK100 S.A.</b>	-	-	-
	M'LOCK HYDRAULIC DOUBLE EFFECT		<b>M'LOCK 30 D.E.</b>	<b>M'LOCK 30 D.E.</b>	<b>M'LOCK30 D.E.</b>		<b>M'LOCK 100 D.E.</b>	<b>M'LOCK 100 D.E.</b>	<b>M'LOCK 100 D.E.</b>	<b>M'LOCK 100 D.E.</b>	<b>M'LOCK 100 D.E.</b>	<b>M'LOCK 180 D.E.</b>	<b>M'LOCK 180 D.E.</b>	<b>M'LOCK 180 D.E.*</b>
9	S NORDIC SYSTEM MECHANICAL SEMI-AUTOMATIC		<b>S 30-150/180 S.A.</b>	<b>S 30-150/180 S.A.</b>	<b>S 40-200 S.A.</b>		<b>S 40-200 S.A.</b>	<b>S 40-200 S.A.</b>	-	-	-	-	-	-
	S NORDIC SYSTEM HYDRAULIC DOUBLE EFFECT		<b>S 30-150/180 D.E.</b>	<b>S 30-150/180 D.E.</b>	<b>S 40-200 D.E.</b>		<b>S 40-200 D.E.</b>	<b>S 40-200 D.E.</b>	<b>S 45 D.E.</b>	<b>S 45 D.E.</b>	<b>S 45 D.E.</b>	<b>S 45 D.E.</b>	<b>S 60 D.E.</b>	<b>S 60 D.E.*</b>
10	PL PIN LOCK MECHANICAL		<b>PL 10</b>	<b>PL 20</b>	<b>PL 40</b>		<b>PL 60</b>	<b>PL 60</b>	<b>PL 60</b>	<b>PL 80</b>	<b>PL 80</b>	-	-	-
	PL PIN LOCK HYDRAULIC DOUBLE EFFECT		-	-	<b>PL 40 D.E.</b>		<b>PL 60 D.E.</b>	<b>PL 60 D.E.</b>	<b>PL 60 D.E.</b>	<b>PL 80 D.E.</b>	<b>PL 80 D.E.</b>	<b>PL 100 D.E.</b>	<b>PL 100 D.E.</b>	-
11	CW AUTO'O'LOCK MECHANICAL SEMI-AUTOMATIC		<b>CW 05 S.A.</b>	<b>CW 05 S.A.</b>	<b>CW 05 S.A.</b>		<b>CW 10 S.A.</b>	<b>CW 10 S.A.</b>	<b>CW 10 S.A.</b>	<b>CW 10 S.A.</b>	<b>CW 10 S.A.</b>	-	-	-
12	CW HAND'O'LOCK MECHANICAL		<b>CW 05</b>	<b>CW 05</b>	<b>CW 05</b>		<b>CW 10</b>	<b>CW 10</b>	<b>CW 10</b>	<b>CW 10</b>	<b>CW 10</b>	-	-	-
	CW HAND'O'LOCK HYDRAULIC DOUBLE EFFECT		<b>CW 05 D.E.</b>	<b>CW 05 D.E.</b>	<b>CW 05 D.E.</b>		<b>CW 10 D.E.</b>	<b>CW 10 D.E.</b>	<b>CW 10 D.E.</b>	<b>CW 10 D.E.</b>	<b>CW 10 D.E.</b>	<b>CW 20S D.E.</b>	<b>CW 20S D.E.</b>	<b>CW 30S D.E.</b>

\* MAX 18,00 TON



**NB: AT THE TIME OF ORDER, PLEASE NOTIFY THE VOLTAGE OF THE ELECTRICAL SYSTEM (12-24 V)**

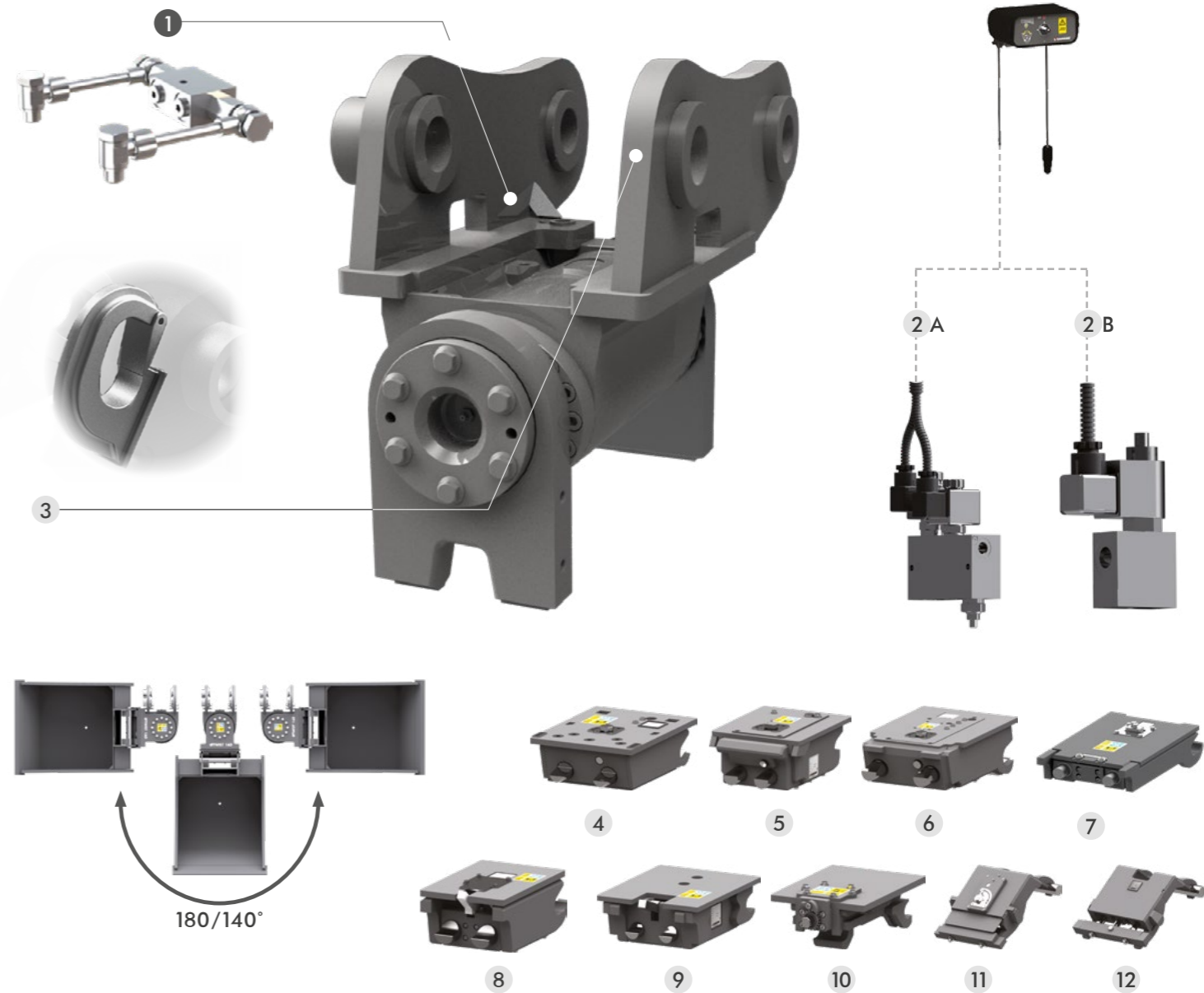
TWIST KS HYDRAULIC ACTUATOR ALLOWS AN INCLINATION OF UP TO 180°, INCREASING FLEXIBILITY AND EFFICIENCY OF ALL EQUIPMENT TO SIMPLIFY THE DIGGING OPERATIONS ALSO IN PLACES DIFFICULT TO REACH. THE DESIGN IS COMPACT WITH MINIMAL HEIGHT AND LOW WEIGHT, WHILE ITS ROBUST STRUCTURE ENSURES A LONG WORKING LIFE. REQUIRES SUPPLY VIA DOUBLE-ACTING HYDRAULIC LINE.



TONS* (LB)	1,0 - 2,9 (2204 - 6393)	2,5 - 4,5 (5511 - 9000)	4,5 - 7,5 (9000 - 16534)	6,0 - 10,0 (13227 - 22046)	9,0 - 14,0 (19841 - 30864)	12,0 - 19,0 (26455 - 41888)	16,0 - 23,0 (35274 - 50706)	
MOD.	TWIST KS 02	TWIST KS 4.5	TWIST KS 07	TWIST KS 10	TWIST KS 14	TWIST KS 19	TWIST KS 23	
<b>A</b> MM (IN)	255 (10)	325 (13)	360 (14)	450 (18)	525 (21)	570 (22)	650 (26)	
<b>B</b> MM (IN)	170 (7)	165 (6)	205 (8)	205 (8)	320 (13)	350 (14)	390 (15)	
<b>C</b> MM (IN)	118 (5)	136 (5)	155 (6)	175 (7)	220 (9)	235 (9)	263 (10)	
<b>kg</b> W/O COUPLER, PLATE AND QUICK COUPLER	KG (LB)	25 (55)	31 (68)	55 (121)	85 (287)	150 (331)	185 (408)	210 (463)
<b>°</b> TILT ANGLE	°	180	180	180	180	140	140	140
<b>L/MIN (GAL/MIN)</b> MAX	L/MIN (GAL/MIN)	8,0 (2)	15 (4)	15,0 (4)	20,0 (5)	28,0 (7)	35,0 (9)	35,0 (9)
<b>BAR (PSI)</b> MAX	BAR (PSI)	250 (3626)	250 (3626)	270 (3916)	310 (4496)	310 (4496)	310 (4496)	310 (4496)
<b>KN</b> MAX. BREAKOUT FORCE (ISO)	KN	23	35	50	72	110	150	170

\* THE TONNAGE IS INDICATIVE, CANGINI RESERVES THE RIGHT TO CHECK THE ASSOCIATIONS BASED ON THE OPERATING LOAD AND THE MACHINE'S TEARING POWER.

**NB\*** THE LIFTING CAPACITY OF THE HOOK IS ADJUSTED ACCORDING TO THE SUPPORT TO WHICH THE HOOK IS APPLIED



**STANDARD TECHNICAL FEATURES**

- 1 BLOCK VALVE**  
IT MAINTAINS THE POSITION DECIDED BY THE OPERATOR EVEN IN THE EVENT OF A LOSS OF PRESSURE ON THE HYDRAULIC LINE SUPPLYING IT.

**OPTIONAL**

- 2 HYDRAULIC INSTALLATION KIT**  
WITH THE HYDRAULIC QUICK COUPLER, IT IS POSSIBLE TO SUPPLY THE INSTALLATION KIT TO THE MACHINE, INCLUDING SOLENOID VALVE AND 12V ELECTRIC SELECTOR SWITCH TO BE INSTALLED INSIDE THE DRIVING AREA. AVAILABLE IN SINGLE EFFECT VERSION (A) OR IN D.E. VERSION - DOUBLE EFFECT (B)
- 3 LIFTING HOOK**  
A HOOK APPROVED FOR LIFTING OPERATIONS CAN BE WELDED DIRECTLY ON THE TWIST.

**MATCHING QUICK COUPLERS**

- 4** AR Fast Lock
- 5** CR Twin Lock • CR Twin Lock D.E.
- 6** CS Schnappmatic • CS Schnappmatic D.E.
- 7** CS Schnappmatic D.E. CS 100
- 8** M'Lock D.E.
- 9** S Nordic System • S Nordic EVO System
- 10** PL Pin Lock • PL Pin Lock D.E.
- 11** CW Aut'o'Lock
- 12** CW Hand'o'Lock • CW Hand'o'Lock D.E.

## MATCHING QUICK COUPLERS



	TONS (LB)	1,0 - 2,9 (2204 - 6393)			2,5 - 4,0 (5511 - 8818)		4,0 - 4,5 (8818 - 9000)		4,5 - 6,0 (9000 - 13228)		6,0 - 7,0 (13228 - 16535)		6,0 - 7,5 (13228 - 15432)		7,5 - 10,0 (15432 - 22046)	
		TWIST KS 02			TWIST KS 4.5		TWIST KS 4.5		TWIST KS 07		TWIST KS 07		TWIST KS 10		TWIST KS 10	
4	AR FAST LOCK MECHANICAL SEMI-AUTOMATIC	AR 15 S.A.	AR 30 S.A.	AR 40 S.A.	AR 40 S.A.	AR 40 S.A.	AR 50 S.A.	AR 50 S.A.	AR 50 S.A.	AR 70 S.A.	AR 70 S.A.	AR 70 S.A.	-	-	-	
	AR FAST LOCK HYDRAULIC SINGLE EFFECT	AR 15 S.E.	AR 30 S.E.	AR 40 S.E.	AR 40 S.E.	AR 40 S.E.	AR 50 S.E.	AR 50 S.E.	AR 50 S.E.	AR 70 S.E.	AR 70 S.E.	AR 70 S.E.	-	-	-	
5	CR TWIN LOCK MECHANICAL SEMI-AUTOMATIC	CR 15 S.A.	CR 30 S.A.	CR 40 S.A.	CR 30 S.A.	CR 40 S.A.	CR 50 S.A.	CR 50 S.A.	CR 50 S.A.	CR 70 S.A.	CR 70 S.A.	CR 70 S.A.	CR 70 S.A.	CR 70 S.A.	CR 70 S.A.	
	CR TWIN LOCK HYDRAULIC SINGLE EFFECT	CR 15 S.E.	CR 30 S.E.	CR 40 S.E.	CR 30 S.E.	CR 40 S.E.	CR 50 S.E.	CR 50 S.E.	CR 50 S.E.	CR 70 S.E.	CR 70 S.E.	CR 70 S.E.	CR 70 S.E.	CR 70 S.E.	CR 70 S.E.	
	CR TWIN LOCK HYDRAULIC DOUBLE EFFECT	CR 15 D.E.	CR 30 D.E.	CR 40 D.E.	CR 30 D.E.	CR 40 D.E.	CR 50 D.E.	CR 50 D.E.	CR 50 D.E.	CR 70 D.E.	CR 70 D.E.	CR 70 D.E.	CR 70 D.E.	CR 70 D.E.	CR 70 D.E.	
6	CS SCHNAPPMATIC MECHANICAL SEMI-AUTOMATIC	CS 10 S.A.	CS 30 S.A.		CS 30 S.A.		CS 30 S.A.	CS 30 S.A.	CS 30 S.A.	CS 80 S.A.	CS 80 S.A.	CS 80 S.A.	CS 80 S.A.	CS 80 S.A.	CS 80 S.A.	
	CS SCHNAPPMATIC HYDRAULIC SINGLE EFFECT	CS 10 S.E.	CS 30 S.E.		CS 30 S.E.		CS 30 S.E.	CS 30 S.E.	CS 30 S.E.	CS 80 S.E.	CS 80 S.E.	CS 80 S.E.	CS 80 S.E.	CS 80 S.E.	CS 80 S.E.	
	CS SCHNAPPMATIC HYDRAULIC DOUBLE EFFECT	CS 10 D.E.	CS 30 D.E.		CS 30 D.E.		CS 30 D.E.	CS 30 D.E.	CS 30 D.E.	CS 80 D.E.	CS 80 D.E.	CS 80 D.E.	CS 80 D.E.	CS 80 D.E.	CS 80 D.E.	
7	CS 100 SCHNAPPMATIC HYDRAULIC DOUBLE EFFECT															
8	M'LOCK MECHANICAL SEMI-AUTOMATIC		M'LOCK 30 S.A.		M'LOCK 30 S.A.		M'LOCK 100 S.A.	M'LOCK 100 S.A.	M'LOCK 100 S.A.	M'LOCK 100 S.A.	M'LOCK 100 S.A.	M'LOCK 100 S.A.	M'LOCK 100 S.A.	M'LOCK 100 S.A.	M'LOCK 100 S.A.	
	M'LOCK HYDRAULIC DOUBLE EFFECT		M'LOCK 30 D.E.		M'LOCK 30 D.E.		M'LOCK 100 D.E.	M'LOCK 100 D.E.	M'LOCK 100 D.E.	M'LOCK 100 D.E.	M'LOCK 100 D.E.	M'LOCK 100 D.E.	M'LOCK 100 D.E.	M'LOCK 100 D.E.	M'LOCK 100 D.E.	
9	S NORDIC SYSTEM MECHANICAL SEMI-AUTOMATIC		S 30-150/180 S.A.		S 40-200 S.A.		S 40-200 S.A.	S 40-200 S.A.	S 40-200 S.A.	-	-	-	-	-	-	
	S NORDIC SYSTEM HYDRAULIC DOUBLE EFFECT		S 30-150/180 D.E.		S 40-200 D.E.		S 40-200 D.E.	S 40-200 D.E.	S 40-200 D.E.	S 45 D.E.	S 45 D.E.	S 45 D.E.	S 45 D.E.	S 45 D.E.	S 45 D.E.	
10	PL PIN LOCK MECHANICAL	PL 10	PL 20		PL 40		PL 60	PL 60	PL 60	PL 60	PL 60	PL 60	PL 60	PL 80	PL 80	
	PL PIN LOCK HYDRAULIC DOUBLE EFFECT				PL 40 D.E.		PL 60 D.E.	PL 60 D.E.	PL 60 D.E.	PL 60 D.E.	PL 60 D.E.	PL 60 D.E.	PL 60 D.E.	PL 80 D.E.	PL 80 D.E.	
11	CW AUTO'LOCK MECHANICAL SEMI-AUTOMATIC		CW 05 S.A.		CW 05 S.A.		CW 10 S.A.	CW 10 S.A.	CW 10 S.A.	CW 10 S.A.	CW 10 S.A.	CW 10 S.A.	CW 10 S.A.	CW 10 S.A.	CW 10 S.A.	
12	CW HAND'O'LOCK MECHANICAL		CW 05		CW 05		CW 10	CW 10	CW 10	CW 10	CW 10	CW 10	CW 10	CW 10	CW 10	
	CW HAND'O'LOCK HYDRAULIC DOUBLE EFFECT		CW 05 D.E.		CW 05 D.E.		CW 10 D.E.	CW 10 D.E.	CW 10 D.E.	CW 10 D.E.	CW 10 D.E.	CW 10 D.E.	CW 10 D.E.	CW 10 D.E.	CW 10 D.E.	

## MATCHING QUICK COUPLERS

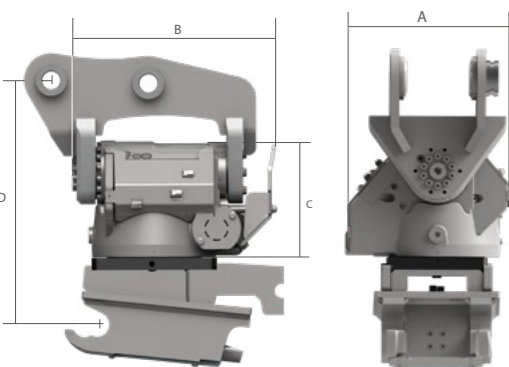
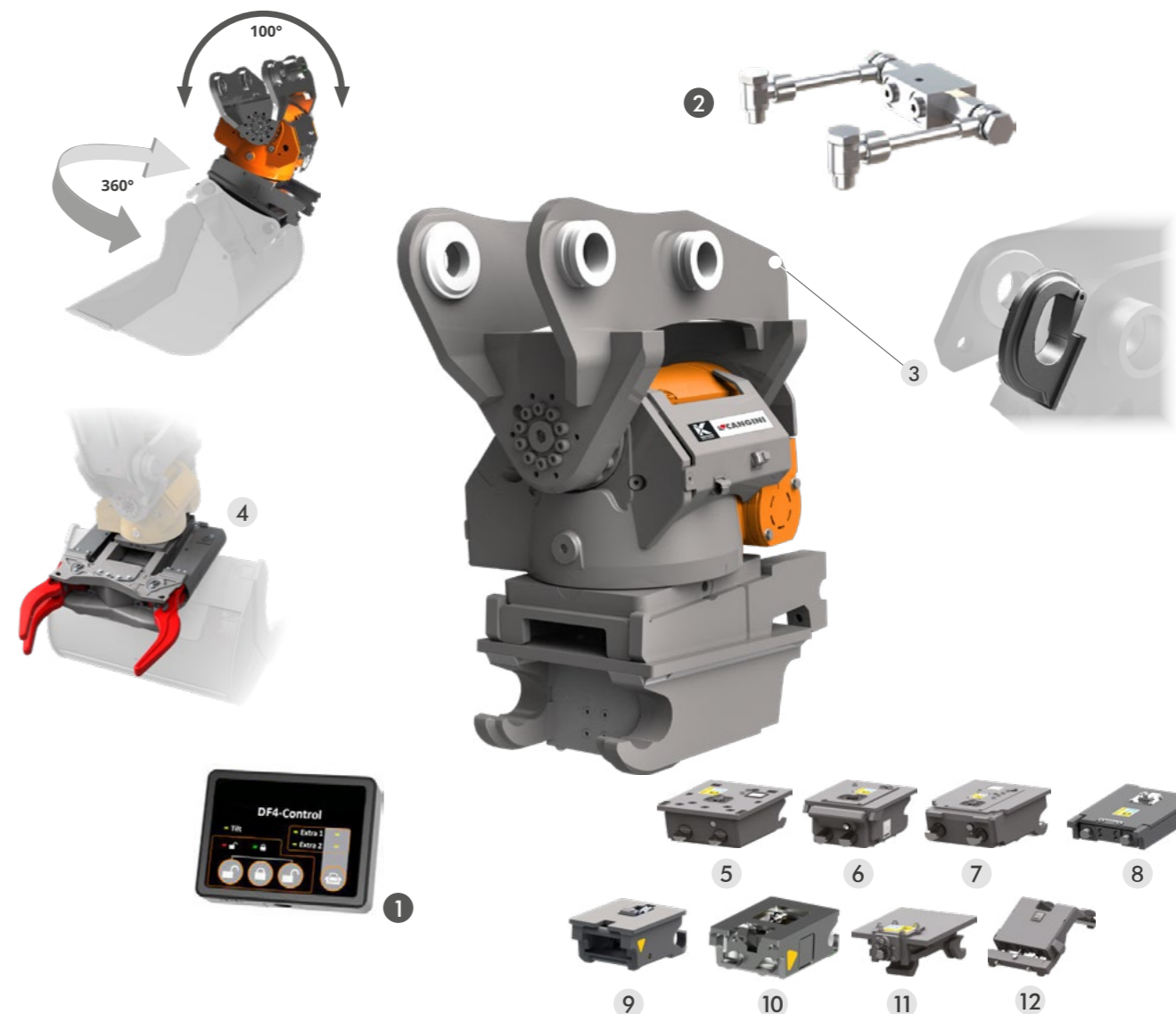


		TONS (LB)	9,0 - 10,0 (19842 - 22046)	10,0 - 12,0 (22046 - 24250)	12,0 - 14,0 (26455 - 30865)	12,0 - 15,0 (26455 - 33069)	15,0 - 19,0 (33069 - 41888)	16,0 - 19,0 (35274 - 39683)	19,0 - 23,0 (39683 - 41888)
			<b>TWIST KS 14</b>		<b>TWIST KS 14</b>	<b>TWIST KS 19</b>		<b>TWIST KS 23</b>	
4		AR FAST LOCK MECHANICAL SEMI-AUTOMATIC	-	-	-	-	-	-	-
		AR FAST LOCK HYDRAULIC SINGLE EFFECT	-	-	-	-	-	-	-
5		CR TWIN LOCK MECHANICAL SEMI-AUTOMATIC	<b>CR 70 S.A.</b>	<b>CR 70 S.A.</b>	-	-	-	-	-
		CR TWIN LOCK HYDRAULIC SINGLE EFFECT	<b>CR 70 S.E.</b>	<b>CR 70 S.E.</b>	-	-	-	-	-
		CR TWIN LOCK HYDRAULIC DOUBLE EFFECT	<b>CR 70 D.E.</b>	<b>CR 70 D.E.</b>	-	-	-	-	-
6		CS SCHNAPPMATIC MECHANICAL SEMI-AUTOMATIC	<b>CS 80 S.A.</b>	<b>CS 80 S.A.</b>	-	-	-	-	-
		CS SCHNAPPMATIC HYDRAULIC SINGLE EFFECT	<b>CS 80 S.E.</b>	<b>CS 80 S.E.</b>	-	-	-	-	-
		CS SCHNAPPMATIC HYDRAULIC DOUBLE EFFECT	<b>CS 80 D.E.</b>	<b>CS 80 D.E.</b>	-	-	-	-	-
7		CS 100 SCHNAPPMATIC HYDRAULIC DOUBLE EFFECT	-	-	<b>CS 100 D.E.</b>	<b>CS 100 D.E.</b>	<b>CS 100 D.E.</b>	<b>CS 100 D.E.</b>	-
8		M'LOCK MECHANICAL SEMI-AUTOMATIC	-	-	-	-	-	-	-
		M'LOCK HYDRAULIC DOUBLE EFFECT	<b>M'LOCK 100 D.E.</b>	<b>M'LOCK 180 D.E.</b>	<b>M'LOCK 180 D.E.</b>	<b>M'LOCK 180 D.E.</b>	<b>M'LOCK 180 D.E.</b>	<b>M'LOCK 180 D.E.</b>	-
9		S NORDIC SYSTEM MECHANICAL SEMI-AUTOMATIC	-	-	-	-	-	-	-
		S NORDIC SYSTEM HYDRAULIC DOUBLE EFFECT	<b>S 45 D.E.</b>	<b>S 45 D.E.</b>	<b>S 60 D.E.</b>	<b>S 60 D.E.</b>	<b>S 60 D.E.</b>	<b>S 60 D.E.</b>	-
		<b>S 50 D.E.</b>	<b>S 50 D.E.</b>	-	-	-	-	-	-
10		PL PIN LOCK MECHANICAL	<b>PL 80</b>	-	-	-	-	-	-
		PL PIN LOCK HYDRAULIC DOUBLE EFFECT	<b>PL 80 D.E.</b>	<b>PL 100 D.E.</b>	<b>PL 100 D.E.</b>	<b>PL 100 D.E.</b>	-	-	-
11		CW AUTO'O'LOCK MECHANICAL SEMI-AUTOMATIC	<b>CW 10 S.A.</b>	-	-	-	-	-	-
12		CW HAND'O'LOCK MECHANICAL	<b>CW 10</b>	-	-	-	-	-	-
		CW HAND'O'LOCK HYDRAULIC DOUBLE EFFECT	<b>CW 10 D.E.</b>	<b>CW 20 D.E.</b>	<b>CW 20 D.E.</b>	<b>CW 20 D.E.</b>	<b>CW 30 D.E.</b>	<b>CW 30 D.E.</b>	<b>CW 30 D.E.</b>



**NB: AT THE TIME OF ORDER, PLEASE NOTIFY THE VOLTAGE OF THE ELECTRICAL SYSTEM (12-24 V)**

THE NOX TR ROTARY HYDRAULIC ACTUATOR ENABLES CONTINUOUS ROTATION THROUGH 360° AND A TILT ANGLE OF 50° ON BOTH SIDES, PERMITTING THE MAXIMUM EFFICIENCY ON ANY APPLICATION AND SAVING TIME AND RESOURCES. IN THIS CASE, THE PRECISE, WELL CALIBRATED INFILLING OF TRENCHES AND THE MOVING OF DIFFERENT TYPES OF MATERIALS IN TIGHT AREAS ARE NO PROBLEM. THE ACTUATOR IS EQUIPPED WITH STANDARD HYDRAULIC JOINT



*TONS (LB)	2,0 - 4,5 (4480 - 10080)	4,0 - 7,0 (8818 - 15432)	6,0 - 11,0 (13227 - 24251)	10,0 - 14,0 (22046 - 30865)	14,0 - 19,0 (30865 - 41888)	19,0 - 25,0 (41888 - 55116)
<b>MOD.</b>	<b>ROTOTWIST NOX TR 045</b>	<b>ROTOTWIST NOX TR 07</b>	<b>ROTOTWIST NOX TR 11</b>	<b>ROTOTWIST NOX TR 14</b>	<b>ROTOTWIST NOX TR 19</b>	<b>ROTOTWIST NOX TR 25</b>
<b>A</b>	MM (IN) 380 (15)	385 (15)	428 (17)	478 (19)	475 (19)	525 (21)
<b>B</b>	MM (IN) 435 (17)	460 (18)	550 (23)	730 (29)	760 (30)	845 (33)
<b>C</b>	MM (IN) 315 (12)	315 (12)	350 (18)	390 (15)	420 (17)	470 (19)
<b>D (FROM)</b>	MM (IN) 380 (15)	420 (17)	475 (17)	565 (22)	580 (22)	650 (26)
	KG (LB) 150 (331)	200 (440)	320 (705)	485 (1069)	580 (1278)	860 (1895)
	L/MIN (GAL/MIN) 30 - 80 (7-21)	30 - 80 (7-21)	40 - 100 (10-26)	80 - 160 (21-42)	100 - 180 (26-47)	120 - 200 (31-52)
	L/MIN (GAL/MIN) 70 / 30 (18-8)	70 / 30 (18-8)	70 / 30 (18-8)	70 / 30 (18-8)	70 / 30 (18-8)	70 / 30 (18-8)
MAX. BREAKOUT FORCE (ISO)	KN 40	50	75	110	150	170
CONFIGURATION	DF04	DF04	DF04	DF04	DF04	DF04
MAX. BUCKET WIDTH	MM (IN) 1100 (43)	1100 (43)	1300 (51)	1600 (63)	1700 (67)	2000 (79)

- W/O COUPLER, PLATE AND QUICK COUPLER
- ROTOTWIST
- HYDRAULIC JOINT

**NB\*** THE LIFTING CAPACITY OF THE HOOK IS ADJUSTED ACCORDING TO THE SUPPORT TO WHICH THE HOOK IS APPLIED

\* LOAD CAPACITIES ARE GUIDELINE: CANGINI RESERVES THE RIGHT TO VERIFY PAIRINGS DEPENDING ON THE WORKING LOAD OF THE PARENT MACHINE.

### STANDARD TECHNICAL FEATURES

**1 CONTROL BOX (DF04)**  
ELECTRONIC COMPONENT THAT ALLOWS CONTROL OF THE VARIOUS FUNCTIONS OF THE ROTOTWIST. DIRECTLY FROM THE CAB THE OPERATOR CAN CONTROL: ROTATION, TILT, HYDRAULIC LINES FOR THE ATTACHMENTS AND HYDRAULIC QUICK COUPLER WHEN REQUIRED. THE DF04 SYSTEM REQUIRES THE OPERATING MACHINE TO BE EQUIPPED WITH TWO DOUBLE-ACTING HYDRAULIC LINES. FOR DIFFERENT OPERATING MACHINE CONFIGURATIONS OTHER THAN DF04 CAN BE CONSIDERED.

**2 BLOCK VALVE**  
IT ALLOWS TO MAINTAIN THE TOOL'S CHOSEN POSITION EVEN WITH MACHINES WITH OPEN CENTRE CIRCUITS AND IN CASE OF LEAKAGE

### OPTIONAL

**3 LIFTING HOOK**  
A HOOK APPROVED FOR LIFTING OPERATIONS CAN BE WELDED DIRECTLY ON THE ROTOTWIST.

**4 GRAB MODULE TRG**  
IDEAL FOR HANDLING LOGS AND PIPES, IT IS INTEGRATED IN THE LOWER QUICK COUPLER AND DOES NOT AFFECT THE HEIGHT OR THE MOVEMENT F THE ATTACHMENT. THE GRAB IS ONLY AVAILABLE ON DOUBLE ACTING COUPLINGS.

### MATCHING QUICK COUPLERS

- 5 AR Fast Lock
- 6 CR Twin Lock • CR Twin Lock D.E.
- 7 CS Schnappmatic • CS Schnappmatic D.E.
- 8 CS Schnappmatic D.E. CS 100
- 9 CM Sicurmatic • M'Lock D.E.
- 10 S Nordic System • S Nordic EVO System
- 11 PL Pin Lock • PL Pin Lock D.E.
- 12 CW Hand'o'Lock • CW Hand'o'Lock D.E.

**MATCHING QUICK COUPLERS**



	TONS (LB)	TONS					TONS					TONS		TONS		TONS	
		2,0 - 2,5	2,5 - 4,5	4,0 - 5,0	5,0 - 6,0	6,0 - 7,0	6,0 - 7,0	7,0 - 8,0	8,0 - 9,0	9,0 - 10,0	10,0 - 11,0	10,0 - 11,0	11,0 - 12,0	14,0 - 18,0	18,0 - 19,0	19,0 - 25,0	
		ROTOTWIST NOX TR 045			ROTOTWIST NOX TR 07			ROTOTWIST NOX TR 11					ROTOTWIST NOX TR 14		ROTOTWIST NOX TR 19		ROTOTWIST NOX TR 25
5	AR FAST LOCK MECHANICAL SEMI-AUTOMATIC	AR 30 S.A.	AR 40 S.A.	-	AR 50 S.A.	AR 50 S.A.	AR 70 S.A.	AR 70 S.A.	-	-	-	-	-	-	-	-	-
	AR FAST LOCK HYDRAULIC SINGLE EFFECT	AR 30 S.E.	AR 40 S.E.	-	AR 50 S.E.	AR 50 S.E.	AR 70 S.E.	AR 70 S.E.	-	-	-	-	-	-	-	-	-
6	CR TWIN LOCK MECHANICAL SEMI-AUTOMATIC	CR 30 S.A.	CR 40 S.A.	-	CR 50 S.A.	CR 50 S.A.	CR 70 S.A.	CR 70 S.A.	CR 70 S.A.	CR 70 S.A.	CR 70 S.A.	CR 70 S.A.	CR 70 S.A.	-	-	-	
	CR TWIN LOCK HYDRAULIC SINGLE EFFECT	CR 30 S.E.	CR 40 S.E.	-	CR 50 S.E.	CR 50 S.E.	CR 70 S.E.	CR 70 S.E.	CR 70 S.E.	CR 70 S.E.	CR 70 S.E.	CR 70 S.E.	CR 70 S.E.	-	-	-	
	CR TWIN LOCK HYDRAULIC DOUBLE EFFECT	CR 30 D.E.	CR 40 D.E.	-	CR 50 D.E.	CR 50 D.E.	CR 70 D.E.	CR 70 D.E.	CR 70 D.E.	CR 70 D.E.	CR 70 D.E.	CR 70 D.E.	CR 70 D.E.	-	-	-	
7	CS SCHNAPPMATIC MECHANICAL SEMI-AUTOMATIC	CS 10 S.A.	CS 30 S.A.	-	CS 30 S.A.	CS 80 S.A.	CS 80 S.A.	CS 80 S.A.	CS 80 S.A.	CS 80 S.A.	CS 80 S.A.	CS 80 S.A.	CS 80 S.A.	-	-	-	
	CS SCHNAPPMATIC HYDRAULIC SINGLE EFFECT	CS 10 S.E.	CS 30 S.E.	-	CS 30 S.E.	CS 80 S.E.	CS 80 S.E.	CS 80 S.E.	CS 80 S.E.	CS 80 S.E.	CS 80 S.E.	CS 80 S.E.	CS 80 S.E.	-	-	-	
	CS SCHNAPPMATIC HYDRAULIC DOUBLE EFFECT	CS 10 D.E.	CS 30 D.E.	-	CS 30 D.E.	CS 80 D.E.	CS 80 D.E.	CS 80 D.E.	CS 80 D.E.	CS 80 D.E.	CS 80 D.E.	CS 80 D.E.	CS 80 D.E.	-	-	-	
8	CS 100 SCHNAPPMATIC HYDRAULIC DOUBLE EFFECT	-	-	-	-	-	-	-	-	-	-	CS 100 D.E.	CS 100 D.E.	CS 100 D.E.	CS 100 D.E.	-	
9	CM SICURMATIC MECHANICAL SEMI-AUTOMATIC	M'LOCK 30 S.A.	M'LOCK 30 S.A.	-	M'LOCK100	M'LOCK100	M'LOCK100	M'LOCK100	M'LOCK100	M'LOCK100	M'LOCK100	M'LOCK100	M'LOCK100	-	-	-	
	M'LOCK HYDRAULIC DOUBLE EFFECT	M'LOCK 30 D.E.	M'LOCK 30 D.E.	-	M'LOCK 100 D.E.	M'LOCK 100 D.E.	M'LOCK 100 D.E.	M'LOCK 100 D.E.	M'LOCK 180 D.E.	M'LOCK 180 D.E.	M'LOCK 180 D.E.	M'LOCK 180 D.E.	M'LOCK 180 D.E.	M'LOCK 180 D.E.	-	-	
10	S NORDIC SYSTEM MECHANICAL SEMI-AUTOMATIC	S 30 S.A.	S 40-200 S.A.	-	S 40-200 S.A.	S 40-200 S.A.	-	-	-	-	-	-	-	-	-	-	
	S NORDIC SYSTEM HYDRAULIC DOUBLE EFFECT	S 30 D.E.	S 40-200 D.E.	-	S 40-200 D.E.	S 40-200 D.E.	S 45 D.E.	S 45 D.E.	S 45 D.E.	S 45 D.E.	S 45 D.E.	S 45 D.E.	S 45 D.E.	S 45 D.E.	S 45 D.E.	S 60 D.E.	
							S 50 D.E.	S 50 D.E.	S 50 D.E.	S 50 D.E.	S 50 D.E.	S 50 D.E.	S 50 D.E.	S 50 D.E.	S 60 D.E.	-	
11	PL PIN LOCK MECHANICAL	PL 20	PL 40	PL 60	PL 60	PL 60	PL 60	PL 60	PL 80	PL 80	PL 80	-	-	-	-	-	
	PL PIN LOCK HYDRAULIC DOUBLE EFFECT	-	PL 40 D.E.	PL 60 D.E.	PL 60 D.E.	PL 60 D.E.	PL 60 D.E.	PL 60 D.E.	PL 80 D.E.	PL 80 D.E.	PL 80 D.E.	-	PL 100 D.E.	PL 100 D.E.	-	-	
12	CW HAND'O'LOCK / AUTO'LOCK MECHANICAL	CW 05 S.A.	CW 05	-	CW 10	CW 10	CW 10	CW 10	CW 10	CW 10	-	-	-	-	-	-	
	CW HAND'O'LOCK HYDRAULIC DOUBLE EFFECT	CW 05 D.E.	-	-	CW 10 D.E.	CW 10 D.E.	CW 10 D.E.	CW 10 D.E.	CW 20S D.E.	CW 20S D.E.	CW 20S D.E.	CW 20S D.E.	CW 20S D.E.	CW 20S D.E.	CW 30S D.E.	CW 30S D.E.	



GRAB MODULE TRG

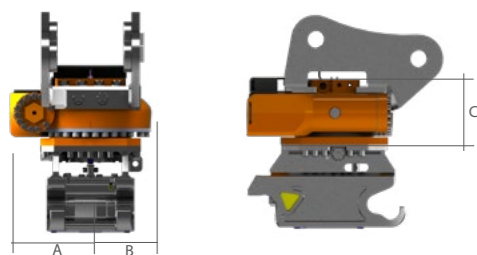


		TONS (LB)	4,0 - 5,0 (8818 - 11023)	5,0 - 6,0 (11023 - 13228)	6,0 - 7,0 (13228 - 15432)	6,0 - 7,0 (13228 - 15432)	7,0 - 8,0 (15432 - 17637)	8,0 - 9,0 (17637 - 19841)	9,0 - 10,0 (19841 - 22046)	10,0 - 11,0 (22046 - 26455)	10,0 - 11,0 (22046 - 24250)	11,0 - 12,0 (24250 - 26455)	14,0 - 18,0 (30864 - 39683)	18,0 - 19,0 (39683 - 41887)	19,0 - 25,0 (41887 - 55115)
			ROTOTWIST NOX TR 07			ROTOTWIST NOX TR 11					ROTOTWIST NOX TR 14		ROTOTWIST NOX TR 19		ROTOTWIST NOX TR 25
4	CR TWIN LOCK HYDRAULIC DOUBLE EFFECT	MOD.	TRG 11	TRG 11	TRG 11	TRG 11	TRG 11	TRG 11	TRG 11	TRG 11	TRG 11	TRG 11	-	-	-
			CR 50 D.E.	CR 50 D.E.	CR 70 D.E.	CR 70 D.E.	CR 70 D.E.	CR 70 D.E.	CR 70 D.E.	CR 70 D.E.	CR 70 D.E.	CR 70 D.E.	-	-	-
4	CS SCHNAPPMATIC HYDRAULIC DOUBLE EFFECT	MOD.	TRG 07	TRG 11	TRG 11	TRG 11	TRG 11	TRG 11	TRG 11	TRG 11	TRG 11	TRG 11	-	-	-
			CS 30 D.E.	CS 80 D.E.	CS 80 D.E.	CS 80 D.E.	CS 80 D.E.	CS 80 D.E.	CS 80 D.E.	CS 80 D.E.	CS 80 D.E.	CS 80 D.E.	-	-	-
4	CS 100 SCHNAPPMATIC HYDRAULIC DOUBLE EFFECT	MOD.	-	-	-	-	-	-	-	-	-	TRG 19	TRG 19	TRG 19	-
			-	-	-	-	-	-	-	-	-	CS 100 D.E.	CS 100 D.E.	CS 100 D.E.	-
4	M'LOCK HYDRAULIC DOUBLE EFFECT	MOD.	TRG 11	TRG 11	TRG 11	TRG 11	TRG 11	TRG 11	TRG 11	TRG 19	TRG 19	TRG 19	TRG 19	TRG 19	-
			M'LOCK 100 D.E.	M'LOCK 100 D.E.	M'LOCK 100 D.E.	M'LOCK 100 D.E.	M'LOCK 100 D.E.	M'LOCK 100 D.E.	M'LOCK 180 D.E.	M'LOCK 180 D.E.	M'LOCK 180 D.E.	M'LOCK 180 D.E.	M'LOCK 180 D.E.	-	-
4	S NORDIC SYSTEM HYDRAULIC DOUBLE EFFECT	MOD.	TRG 07	TRG 07	TRG 11	TRG 11	TRG 11	TRG 11	TRG 11	TRG 11	TRG 11	TRG 11	TRG 19	-	-
			S 40-200 D.E.	S 40-200 D.E.	S 45 D.E.	S 45 D.E.	S 45 D.E.	S 45 D.E.	S 45 D.E.	S 45 D.E.	S 45 D.E.	S 45 D.E.	S 60 D.E.	-	-
					S 50 D.E.	S 50 D.E.	S 50 D.E.	S 50 D.E.	S 50 D.E.	S 50 D.E.	S 50 D.E.	S 50 D.E.			
												S 60 D.E.			
4	PL PIN LOCK HYDRAULIC DOUBLE EFFECT	MOD.	TRG 11	TRG 11	TRG 11	TRG 11	TRG 11	TRG 11	TRG 11	TRG 11	TRG 11	TRG 11	-	-	-
			PL 60 D.E.	PL 60 D.E.	PL 60 D.E.	PL 60 D.E.	PL 80 D.E.	PL 80 D.E.	PL 80 D.E.	-	PL 100 D.E.	PL 100 D.E.	-	-	-
4	CW HAND'O'LOCK HYDRAULIC DOUBLE EFFECT	MOD.	TRG 11	TRG 11	TRG 11	TRG 11	TRG 11	TRG 11	TRG 11	TRG 19	TRG 19	TRG 19	TRG 19	TRG 23	TRG 25
			CW 10 D.E.	CW 10 D.E.	CW 10 D.E.	CW 10 D.E.	CW 10 D.E.	CW 10 D.E.	CW 20S D.E.	CW 20S D.E.	CW 20S D.E.	CW 20S D.E.	CW 30S D.E.	CW 30S D.E.	CW 30S D.E.



**NB: AT THE TIME OF ORDER, PLEASE NOTIFY THE VOLTAGE OF THE ELECTRICAL SYSTEM (12-24 V)**

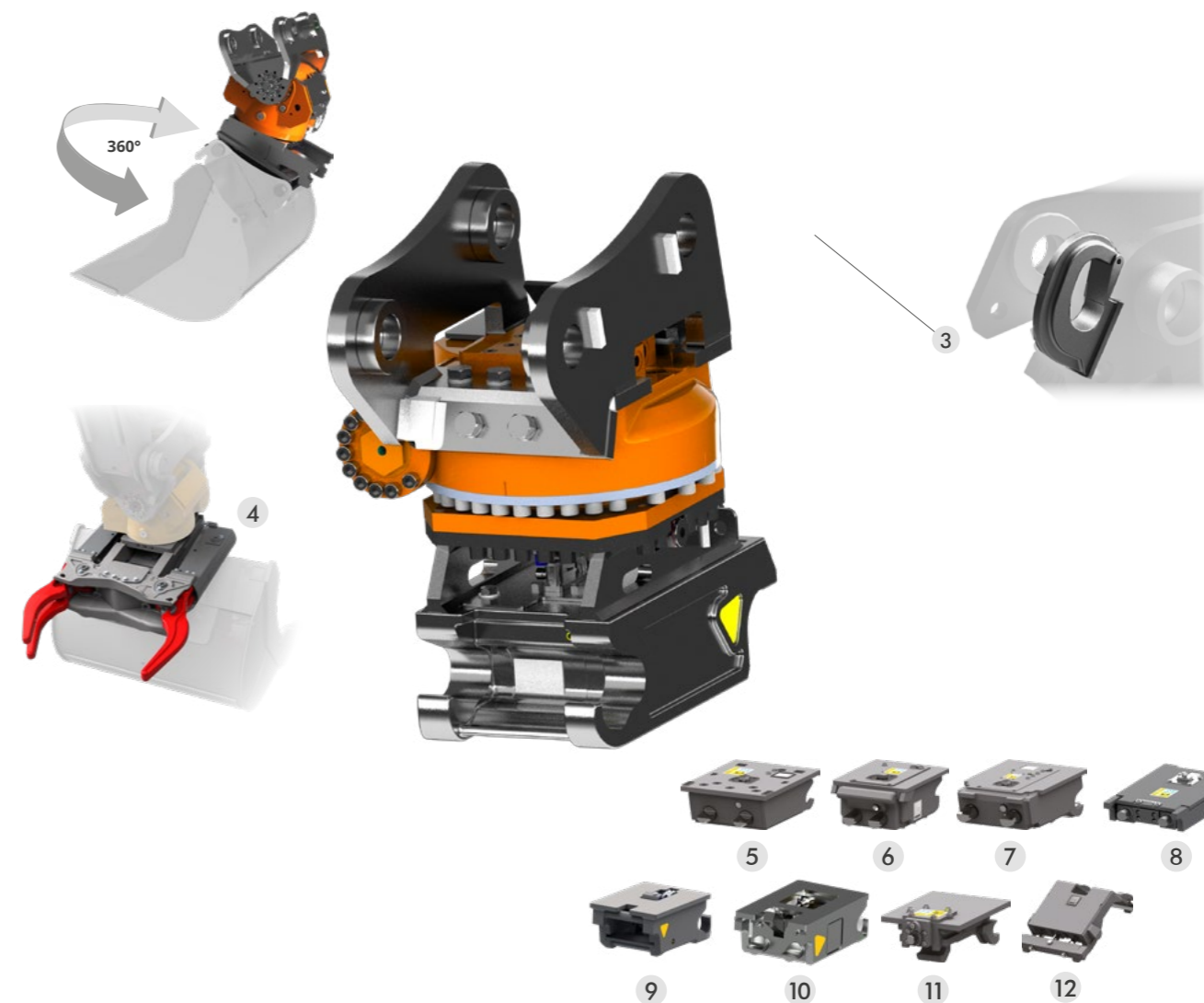
THE COMPACT ROTARY ACTUATOR GIRO BOX GB INCREASES FREEDOM OF MOVEMENT IN THE WORK AREA. ANY TOOL THAT IS NOT EQUIPPED WITH A ROTARY SYSTEM CAN BE ROTATED UP TO 360° TO MAKE WORK EASIER AND MORE PRECISE, SAVING TIME BY REDUCING MANUAL WORK. THE GIRO BOX FEATURES A COMPACT DESIGN FOR HIGH RIPPING AND BREAKAWAY FORCES. THE CAST HOUSING GUARANTEES A LONG SERVICE LIFE AND REQUIRES LITTLE MAINTENANCE. THE ACTUATOR IS EQUIPPED WITH STANDARD HYDRAULIC JOINT



	TONS* (LB)	0,9 - 2,6 (1984 - 5824)	2,6 - 3,8 (5824 - 8378)	3,8 - 6,0 (8378 - 13228)	6,0 - 10,0 (13228 - 24251)	14,0 - 19,0 (24251 - 41888)	19,0 - 25,0 (41888 - 55116)	
	<b>MOD.</b>	<b>GB02</b>	<b>GB04</b>	<b>GB06</b>	<b>GB10</b>	<b>GB19</b>	<b>GB25</b>	
<b>A</b>	MM (IN)	150 (5,9)	150 (5,9)	200 (7,8)	228 (8,9)	243 (9,6)	-	
<b>B</b>	MM (IN)	120 (4,7)	120 (4,7)	150 (5,9)	175 (6,9)	233 (9,1)	-	
<b>C</b>	MM (IN)	190 (3,3)	190 (3,3)	245 (4,3)	335 (5,7)	390 (7,3)	-	
<b>kg</b> (FROM)	KG (LB)	30 (66,1)	30 (66,1)	78 (171,9)	98 (216)	299 (659,2)	-	
<b>kg</b>	ROTATION SPEED OIL FLOW	SPM	8,5	8,5	8,5	8,5	8,5	
<b>kg</b>	TWIST	KNM	0,5	1,5	4	7,5	15	
<b>kg</b>	RECOMMENDED	L/MIN (GAL/MIN)	3 - 4 (0,8 - 1)	12 - 16 (3,2 - 4,2)	18 - 26 (4,8 - 6,9)	30 - 40 (7,9 - 10,6)	40 - 50 (10,6 - 13,2)	50 - 60 (13,2 - 15,8)
<b>kg</b>	MAX.	MPA (PSI)	17,5 (2538)	17,5 (2538)	25 (3626)	27 (3916)	30 (4351)	30 (4351)
<b>kg</b>	MAX.	L (GAL)	0,35 (0,09)	0,35 (0,09)	0,6 (0,15)	1,0 (0,3)	2,0 (0,5)	2,5 (0,66)
<b>kg</b>	MAX.	L/MIN (GAL/MIN)	70 (18,5)	70 (18,5)	100 (26,4)	150 (39,6)	250 (66)	250 (66)
<b>kg</b>	MAX.	MPA (PSI)	25 (3626)	25 (3626)	32 (4641)	40 (5801)	40 (5801)	40 (5801)
	HYDRAULIC JOINT STD	N°	AUX 1 (2) + QUICK COUPLER (2) + DRAIN (1)					
	BREAKING FORCE	KN (TON)	28	32	43	75	150	170

\* LOAD CAPACITIES ARE GUIDELINE: CANGINI RESERVES THE RIGHT TO VERIFY PAIRINGS DEPENDING ON THE WORKING LOAD OF THE PARENT MACHINE, WHICH MUST ALSO HAVE 4 PIPELINES

**NB\*** THE LIFTING CAPACITY OF THE HOOK IS ADJUSTED ACCORDING TO THE SUPPORT TO WHICH THE HOOK IS APPLIED



**OPTIONAL**

**3 LIFTING HOOK**

A HOOK APPROVED FOR LIFTING OPERATIONS CAN BE WELDED DIRECTLY ON THE GIROBOX.

**4 GRAB MODULE TRG**

IDEAL FOR HANDLING LOGS AND PIPES, IT IS INTEGRATED IN THE LOWER QUICK COUPLER AND DOES NOT AFFECT THE HEIGHT OR THE MOVEMENT OF THE ATTACHMENT. THE GRAB IS ONLY AVAILABLE ON DOUBLE ACTING COUPLINGS.

**MATCHING QUICK COUPLERS**

- 5** AR Fast Lock
- 6** CR Twin Lock • CR Twin Lock D.E.
- 7** CS Schnappmatic • CS Schnappmatic D.E.
- 8** CS Schnappmatic D.E. CS 100
- 9** CM Sicurmatic • M'Lock D.E.
- 10** S Nordic System • S Nordic EVO System
- 11** PL Pin Lock • PL Pin Lock D.E.
- 12** CW Hand'o'Lock • CW Hand'o'Lock D.E.








MATCHING QUICK COUPLERS



		TONS (LB)	06 - 1,2 (1344 - 2688)	1,2 - 1,8 (2688 - 4032)	1,8 - 2,5 (4032 - 5600)	2,5 - 2,6 (5600 - 5824)	2,6 - 3,8 (5824 - 8512)	3,8 - 4,0 (8512 - 8960)	4,0 - 5,0 (8960 - 11200)	5,0 - 6,0 (11200 - 13228)	6,0 - 7,0 (13228 - 15432)	7,0 - 8,0 (15432 - 17637)	8,0 - 9,0 (17637 - 19841)	9,0 - 10,0 (19841 - 22046)	14,0 - 18,0 (30864 - 39683)	18,0 - 19,0 (39683 - 41887)	19,0 - 25,0 (41887 - 55115)
			GB02					GB06			GB10				GB19		GB25
5	AR FAST LOCK MECHANICAL SEMI-AUTOMATIC		AR 15 S.A.	AR 15 S.A.	AR 30 S.A.	AR 40 S.A.	AR 40 S.A.	AR 40 S.A.	AR 50 S.A.	AR 50 S.A.	AR 70 S.A.	-	-	-	-	-	-
	AR FAST LOCK HYDRAULIC SINGLE EFFECT		AR 15 S.E.	AR 15 S.E.	AR 30 S.E.	AR 40 S.E.	AR 40 S.E.	AR 40 S.E.	AR 50 S.E.	AR 50 S.E.	AR 70 S.E.	-	-	-	-	-	-
6	CR TWIN LOCK MECHANICAL SEMI-AUTOMATIC		CR 15 S.A.	CR 15 S.A.	CR 30 S.A.	CR 40 S.A.	CR 40 S.A.	CR 40 S.A.	CR 50 S.A.	CR 50 S.A.	CR 70 S.A.	CR 70 S.A.	CR 70 S.A.	CR 70 S.A.	-	-	-
	CR TWIN LOCK HYDRAULIC SINGLE EFFECT		CR 15 S.E.	CR 15 S.E.	CR 30 S.E.	CR 40 S.E.	CR 40 S.E.	CR 40 S.E.	CR 50 S.E.	CR 50 S.E.	CR 70 S.E.	CR 70 S.E.	CR 70 S.E.	CR 70 S.E.	-	-	-
	CR TWIN LOCK HYDRAULIC DOUBLE EFFECT		CR 15 D.E.	CR 15 D.E.	CR 30 D.E.	CR 40 D.E.	CR 40 D.E.	CR 40 D.E.	CR 50 D.E.	CR 50 D.E.	CR 70 D.E.	CR 70 D.E.	CR 70 D.E.	CR 70 D.E.	-	-	-
7	CS SCHNAPPMATIC MECHANICAL SEMI-AUTOMATIC		CS 10 S.A.	CS 10 S.A.	CS 10 S.A.	CS 30 S.A.	CS 30 S.A.	CS 30 S.A.	CS 30 S.A.	CS 80 S.A.	CS 80 S.A.	CS 80 S.A.	CS 80 S.A.	CS 80 S.A.	-	-	-
	CS SCHNAPPMATIC HYDRAULIC SINGLE EFFECT		CS 10 S.E.	CS 10 S.E.	CS 10 S.E.	CS 30 S.E.	CS 30 S.E.	CS 30 S.E.	CS 30 S.E.	CS 80 S.E.	CS 80 S.E.	CS 80 S.E.	CS 80 S.E.	CS 80 S.E.	-	-	-
	CS SCHNAPPMATIC HYDRAULIC DOUBLE EFFECT		CS 10 D.E.	CS 10 D.E.	CS 10 D.E.	CS 30 D.E.	CS 30 D.E.	CS 30 D.E.	CS 30 D.E.	CS 80 D.E.	CS 80 D.E.	CS 80 D.E.	CS 80 D.E.	CS 80 D.E.	-	-	-
8	CS 100 SCHNAPPMATIC HYDRAULIC DOUBLE EFFECT		-	-	-	-	-	-	-	-	-	-	-	-	CS 100 D.E.	CS 100 D.E.	-
9	CM SICURMATIC MECHANICAL SEMI-AUTOMATIC		M'LOCK 30 S.A.	M'LOCK 30 S.A.	M'LOCK 30 S.A.	M'LOCK 30 S.A.	M'LOCK 30 S.A.	M'LOCK 30 S.A.	M'LOCK 100 S.A.	M'LOCK 100 S.A.	M'LOCK 100 S.A.	M'LOCK 100 S.A.	M'LOCK 100 S.A.	M'LOCK 100 S.A.	-	-	-
	M'LOCK HYDRAULIC DOUBLE EFFECT		M'LOCK 30 D.E.	M'LOCK 30 D.E.	M'LOCK 30 D.E.	M'LOCK 30 D.E.	M'LOCK 30 D.E.	M'LOCK 30 D.E.	M'LOCK 100 D.E.	M'LOCK 100 D.E.	M'LOCK 100 D.E.	M'LOCK 100 D.E.	M'LOCK 100 D.E.	M'LOCK 100 D.E.	M'LOCK 180 D.E.	-	-
10	S NORDIC SYSTEM MECHANICAL SEMI-AUTOMATIC		S 30-150 S.A.	S 30-150 S.A.	S 30-150 S.A.	S 30-180 S.A.	S 40-200 S.A.	S 40-200 S.A.	S 40-200 S.A.	S 40-200 S.A.	-	-	-	-	-	-	-
	S NORDIC SYSTEM HYDRAULIC DOUBLE EFFECT		S 30-150 D.E.	S 30-150 D.E.	S 30-150 D.E.	S 30-180 D.E.	S 40-200 D.E.	S 40-200 D.E.	S 40-200 D.E.	S 40-200 D.E.	S 45 D.E.	S 45 D.E.	S 45 D.E.	S 45 D.E.	S 60 D.E.	-	-
	S NORDIC SYSTEM MECHANICAL SEMI-AUTOMATIC		S 30-180 S.A.	S 30-180 S.A.	S 30-180 S.A.	S 30-180 S.A.	S 40-200 S.A.	S 40-200 S.A.	S 40-200 S.A.	S 40-200 S.A.	-	-	-	-	-	-	-
	S NORDIC SYSTEM HYDRAULIC DOUBLE EFFECT		S 30-180 D.E.	S 30-180 D.E.	S 30-180 D.E.	S 30-180 D.E.	S 40-200 D.E.	S 40-200 D.E.	S 40-200 D.E.	S 40-200 D.E.	S 50 D.E.	S 50 D.E.	S 50 D.E.	S 50 D.E.	-	-	-
11	PL PIN LOCK MECHANICAL		PL 10	PL 20	PL 20	PL 40	PL 40	PL 40	PL 60	PL 60	PL 60	PL 80	PL 80	PL 80	-	-	-
	PL PIN LOCK HYDRAULIC DOUBLE EFFECT		-	-	-	-	-	PL 40 D.E.	PL 40 D.E.	PL 60 D.E.	PL 60 D.E.	PL 60 D.E.	PL 80 D.E.	PL 80 D.E.	PL 100 D.E.	-	-
12	CW HAND'O'LOCK MECHANICAL		CW 00 S.A.	CW 05 S.A.	CW 05 S.A.	CW 05 S.A.	CW 05 S.A.	CW 05 S.A.	-	-	CW 10 S.A.	CW 10 S.A.	CW 10 S.A.	CW 10 S.A.	-	-	-
	CW HAND'O'LOCK HYDRAULIC DOUBLE EFFECT		CW 05 S.A.	CW 05 S.A.	CW 05 S.A.	CW 05 S.A.	CW 05 S.A.	CW 05 S.A.	CW 05	CW 05	CW 10	CW 10	CW 10	CW 10	-	-	-
	CW HAND'O'LOCK HYDRAULIC DOUBLE EFFECT		CW 05 D.E.	CW 05 D.E.	CW 05 D.E.	CW 05 D.E.	CW 05 D.E.	CW 05 D.E.	CW 05 D.E.	CW 10 D.E.	CW 10 D.E.	CW 10 D.E.	CW 10 D.E.	CW 10 D.E.	CW 20 D.E.	CW 30S D.E.	CW 30S D.E.

GRAB MODULE TRG



		TONS (LB)	3,8 - 5,0 (8512 - 11023)	5,0 - 6,0 (11023 - 13228)	6,0 - 7,0 (13228 - 15432)	6,0 - 7,0 (13228 - 15432)	7,0 - 8,0 (15432 - 17637)	8,0 - 9,0 (17637 - 19841)	9,0 - 10,0 (19841 - 22046)	14,0 - 18,0 (30864 - 39683)	18,0 - 19,0 (39683 - 41887)	19,0 - 25,0 (41887 - 55115)
			GB06		GB10	GB10				GB19		GB25
4	 CR TWIN LOCK HYDRAULIC DOUBLE EFFECT	MOD.	TRG 07 CR 50 D.E.	TRG 07 CR 50 D.E.	TRG 11 CR 70 D.E.	TRG 11 CR 70 D.E.	TRG 11 CR 70 D.E.	TRG 11 CR 70 D.E.	TRG 11 CR 70 D.E.	-	-	-
4	 CS SCHNAPPMATIC HYDRAULIC DOUBLE EFFECT	MOD.	TRG 07 CS 30 D.E.	TRG 07 CS 80 D.E.	TRG 11 CS 80 D.E.	TRG 11 CS 80 D.E.	TRG 11 CS 80 D.E.	TRG 11 CS 80 D.E.	TRG 11 CS 80 D.E.	-	-	-
4	 CS 100 SCHNAPPMATIC HYDRAULIC DOUBLE EFFECT	MOD.	-	-	-	-	-	-	-	TRG 19 CS 100 D.E.	TRG 19 CS 100 D.E.	-
4	 M'LOCK HYDRAULIC DOUBLE EFFECT	MOD.	TRG 07 M'LOCK 100 D.E.	TRG 07 M'LOCK 100 D.E.	TRG 11 M'LOCK 100 D.E.	TRG 11 M'LOCK 100 D.E.	TRG 11 M'LOCK 100 D.E.	TRG 11 M'LOCK 100 D.E.	TRG 11 M'LOCK 100 D.E.	TRG 19 M'LOCK 180 D.E.	-	-
4	 S NORDIC SYSTEM HYDRAULIC DOUBLE EFFECT	MOD.	TRG 07 S 40-200 D.E.	TRG 07 S 40-200 D.E.	TRG 11 S 45 D.E. S 50 D.E.	TRG 11 S 45 D.E.	TRG 11 S 45 D.E.	TRG 11 S 45 D.E.	TRG 11 S 45 D.E.	TRG 19 S 60 D.E.	-	-
4	 PL PIN LOCK HYDRAULIC DOUBLE EFFECT	MOD.	TRG 07 PL 60 D.E.	TRG 07 PL 60 D.E.	TRG 11 PL 60 D.E.	TRG 11 PL 60 D.E.	TRG 11 PL 80 D.E.	TRG 11 PL 80 D.E.	TRG 11 PL 80 D.E.	-	-	-
4	 CW HAND'O'LOCK HYDRAULIC DOUBLE EFFECT	MOD.	TRG 07 CW 10 D.E.	TRG 07 CW 10 D.E.	TRG 11 CW 10 D.E. CW 20S D.E.	TRG 11 CW 10 D.E.	TRG 11 CW 10 D.E.	TRG 11 CW 10 D.E.	TRG 11 CW 10 D.E.	TRG 19 CW 30S D.E.	TRG 19 CW 30S D.E.	TRG 25 CW 30S D.E.

# BOLTED-IN ADAPTER PLATE



IT CAN BE MANUFACTURED FOR ANY BRAND OR MODEL OF HAMMER. IT ENABLE THE COUPLING TO THE MACHINE WITH FIXED OR QUICK COUPLER.

## OPTIONAL

### 1 "CASTLE" STRUCTURE

IT'S NECESSARY IN CASE THE HITCH OF THE MACHINE SHOULD INTERFERE WITH THE HOLES ON THE PLATE OR WITH PARTICULAR CONFIGURATIONS OF THE HAMMER.

## SM38 MACHINE WEIGHT 0,6 - 1,8 t (1323 - 3968 lb)



- AR15
- CR15
- CS10
- CS10 JANUS PRO
- PL10 PIN LOCK
- CW05 AUT'O'LOCK
- S
- CM

### OPTIONAL

"CASTLE" STRUCTURE

## SM67 MACHINE WEIGHT 5,0 - 6,0 t (11023 - 13228 lb)



- AR50
- CR50
- CS30
- CS30 JANUS PRO
- PL60 PIN LOCK
- CW10 AUT'O'LOCK
- S
- CM

### OPTIONAL

"CASTLE" STRUCTURE

## SM45 MACHINE WEIGHT 1,8 - 2,5 t (3968 - 5512 lb)



- AR30
- CR30
- CS10
- CS10 JANUS PRO
- PL20 PIN LOCK
- CW05 AUT'O'LOCK
- S
- CM

### OPTIONAL

"CASTLE" STRUCTURE

## SM67 MACHINE WEIGHT 6,0 - 7,5 t (13228 - 16535 lb)



- AR70
- CR70
- CS80
- CS80 JANUS PRO
- PL60 PIN LOCK
- CW10 AUT'O'LOCK
- S
- CM

### OPTIONAL

"CASTLE" STRUCTURE

## SM53 MACHINE WEIGHT 2,5 - 4,0 t (5512 - 8818 lb)



- AR40
- CR40
- CS30
- CS30 JANUS PRO
- PL40 PIN LOCK
- CW05 AUT'O'LOCK
- S
- CM

### OPTIONAL

"CASTLE" STRUCTURE

## SM73 MACHINE WEIGHT 7,5 - 10,0 t (16535 - 22046 lb)



- CR70
- CS80
- CS10 JANUS PRO
- PL80 PIN LOCK
- CW10 AUT'O'LOCK
- S
- CM

### OPTIONAL

"CASTLE" STRUCTURE

## SM62 MACHINE WEIGHT 4,0 - 5,0 t (8818 - 11023 lb)



- AR50
- CR50
- CS30
- CS30 JANUS PRO
- PL60 PIN LOCK
- CW10 AUT'O'LOCK
- S
- CM

### OPTIONAL

"CASTLE" STRUCTURE

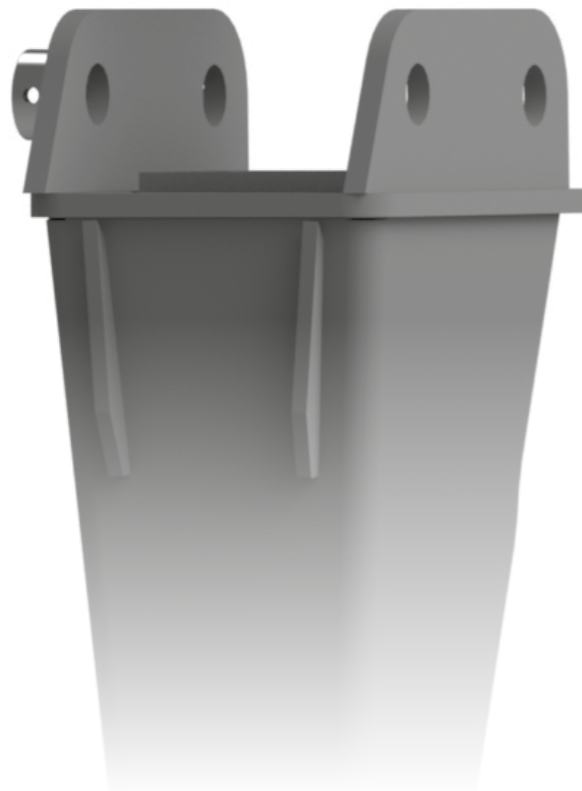
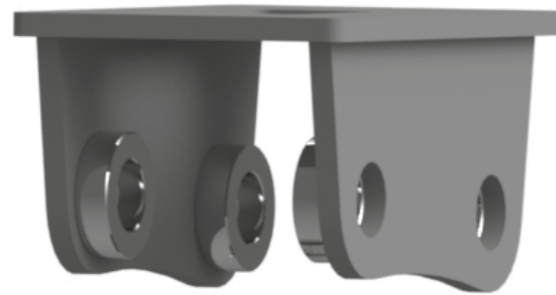
## SM80 MACHINE WEIGHT 10,0 - 12,0 t (22046 - 26455 lb)



- CR70
- CS80
- CS80 JANUS PRO
- PL10 PIN LOCK
- CW10 AUT'O'LOCK
- S
- CM

### OPTIONAL

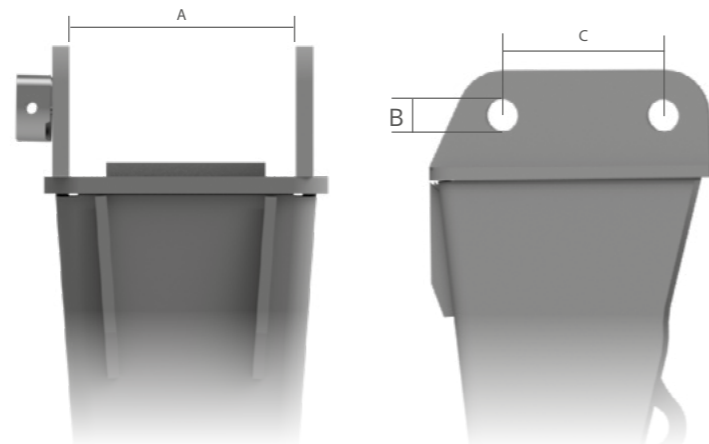
"CASTLE" STRUCTURE



IT CAN BE MANUFACTURED FOR ANY BRAND OR MODEL OF HAMMER. IT ENABLE THE COUPLING TO THE MACHINE WITH FIXED OR QUICK COUPLER.

**TECHNICAL NOTE**

THE A, B AND C MEASURES HERE INDICATED ARE TO BE INSERTED IN THE ORDER.



**SM38 MACHINE WEIGHT 0,6 - 1,8 t (1323 - 3968 lb)**



AR15
CR15
CS10
CS10 JANUS PRO
PL10 PIN LOCK
CW05 AUTO'LOCK
S
CM

**SM67 MACHINE WEIGHT 5,0 - 6,0 t (11023 - 13228 lb)**



AR50
CR50
CS30
CS30 JANUS PRO
PL60 PIN LOCK
CW10 AUTO'LOCK
S
CM

**SM45 MACHINE WEIGHT 1,8 - 2,5 t (3968 - 5512 lb)**



AR30
CR30
CS10
CS10 JANUS PRO
PL20 PIN LOCK
CW05 AUTO'LOCK
S
CM

**SM67 MACHINE WEIGHT 6,0 - 7,5 t (13228 - 16535 lb)**



AR70
CR70
CS80
CS80 JANUS PRO
PL60 PIN LOCK
CW10 AUTO'LOCK
S
CM

**SM53 MACHINE WEIGHT 2,5 - 4,0 t (5512 - 8818 lb)**



AR40
CR40
CS30
CS30 JANUS PRO
PL40 PIN LOCK
CW05 AUTO'LOCK
S
CM

**SM73 MACHINE WEIGHT 7,5 - 10,0 t (16535 - 22046 lb)**



CR70
CS80
CS80 JANUS PRO
PL80 PIN LOCK
CW10 AUTO'LOCK
S
CM

**SM62 MACHINE WEIGHT 4,0 - 5,0 t (8818 - 11023 lb)**




AR50
CR50
CS30
CS30 JANUS PRO
PL60 PIN LOCK
CW10 AUTO'LOCK
S
CM

**SM80 MACHINE WEIGHT 10,0 - 12,0 t (22046 - 26455 lb)**



CR70
CS80
CS80 JANUS PRO
PL100 PIN LOCK
CW10 AUTO'LOCK
S
CM




DIGGING BUCKET	58	SC	
----------------	----	----	------------------------------------------------------------------------------------

DITCH CLEANING BUCKET	74	SP	
-----------------------	----	----	------------------------------------------------------------------------------------

TILTING DITCH CLEANING BUCKET	82	SQ	
-------------------------------	----	----	-------------------------------------------------------------------------------------

SKELETON BUCKET	90	VE	
-----------------	----	----	--------------------------------------------------------------------------------------

TRAPEZOIDAL BUCKET	98	T	
--------------------	----	---	--------------------------------------------------------------------------------------

STONE BUCKET	106	SCR	
--------------	-----	-----	-------------------------------------------------------------------------------------

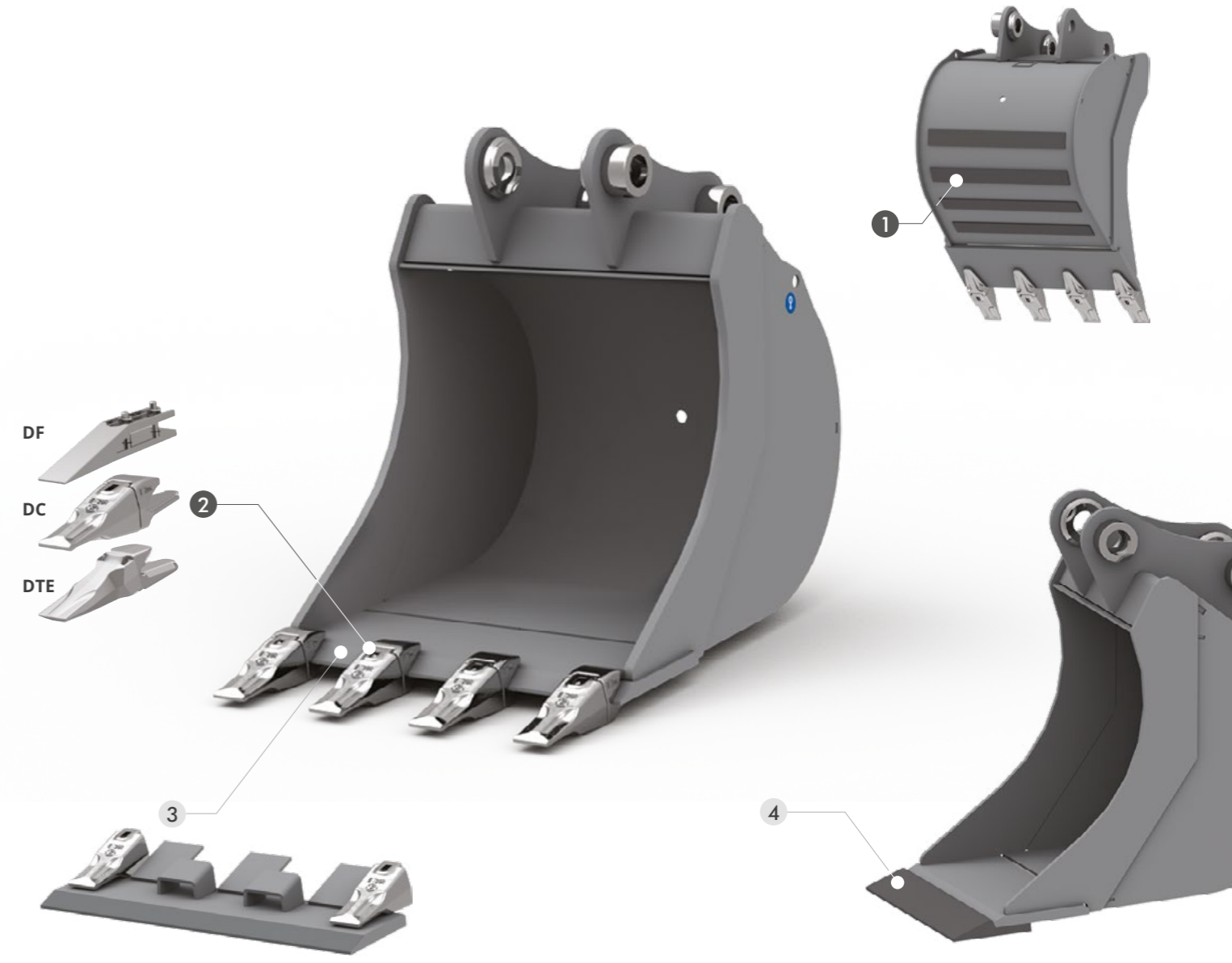
STONE BUCKET FOR STONE BLOCKS	120	SB	
-------------------------------	-----	----	-------------------------------------------------------------------------------------

REINFORCED DITCH CLEANING BUCKET	132	SPR	
----------------------------------	-----	-----	---------------------------------------------------------------------------------------

REINFORCED TILTING DITCH CLEANING BUCKET	140	SQR	
------------------------------------------	-----	-----	---------------------------------------------------------------------------------------



ITS SHAPE HAS BEEN CONCEIVED TO HELP THE TOOL TO PENETRATE MEDIUM-CONSISTENCY SOILS.



**STANDARD TECHNICAL FEATURES**

- 1 REINFORCING STRIPS**  
THE HORIZONTAL REINFORCING STRIPS ON THE BUCKET'S REAR AND BOTTOM PROTECT THE BUCKET FROM WEAR AND INCREASE ITS RESISTANCE.
- 2 DF TEETH DC TEETH DTE TEETH**

**OPTIONAL**

- 3 GRADING EDGE**  
INSTALLED DIRECTLY ON THE ADAPTERS OF THE WELDED TEETH. THIS PATTERN MAKES THE INSTALLING/UNINSTALLING OPERATIONS EASIER AND GRANTS A HIGH RESISTANCE TO THE BUCKET. IN CASE OF ORDER AS A SPARE PART, THE BLADE WILL BE SUPPLIED UNASSEMBLED.
- 4 HB500 WELDED ADDITIONAL CUTTING EDGE (NO TEETH)**  
RECOMMENDED TO WORK ON PARTICULARLY ABRASIVE SOILS.

	MIDI EXCAVATOR										EXCAVATOR		
MOD.	SC27	SC36	SC38	SC45	SC53	SC62	SC67	SC73	SC80	SC85	SC92 GD	SC100GD	SC110GD
TONS (LB)	0,6 - 1,2 (1323 - 2646)	1,2 - 1,8 (2646 - 3968)	1,2 - 1,8 (2646 - 3968)	1,8 - 2,5 (3968 - 5512)	2,5 - 4,0 (5512 - 8818)	4,0 - 5,0 (8818 - 11023)	5,0 - 7,5 (11023 - 16535)	7,5 - 10,0 (16535 - 22046)	10,0 - 12,0 (22046 - 26455)	12,0 - 14,0 (26455 - 30865)	12,0 - 14,0 (26455 - 30865)	14,0 - 18,0 (30865 - 39683)	18,0 - 22,0 (39683 - 48502)



# SC27 MACHINE WEIGHT 0,6 - 1,2 t (1323 - 2646 lb)

ADAPTERS

M'LOCK30



KG 10 (LB 22)

CW00

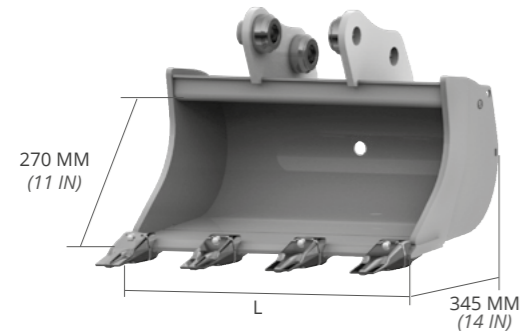


KG 5 (LB 11)

CW05



KG 9 (LB 19)



## OPTIONAL

3

SUPPLEMENTARY BLADE

4

HB500 WELDED ADDITIONAL CUTTING EDGE

L MM (IN)	WEIGHT KG* (LB*)	CAP. SAE L (GAL)	TEETH N°	ADAPTERS
200 (8)	11 (24)	10 (2,6)	2	AF S - CM CW
250 (10)	13 (29)	14 (3,7)	DF2 DC3 DE3	AF S - CM CW
300 (12)	15 (33)	18 (4,8)	3	AF S - CM CW
350 (14)	17 (37)	21 (5,5)	3	AF S - CM CW
400 (16)	18 (40)	25 (6,6)	3	AF S - CM CW
450 (18)	20 (44)	30 (7,9)	3	AF S - CM CW
500 (20)	22 (49)	34 (9,0)	4	AF S - CM CW
600 (24)	26 (57)	42 (11,1)	4	AF S - CM CW
700 (28)	30 (66)	50 (13,2)	5	AF S - CM CW

\* weight of the tank excluding attachment

# SC27 QUICK COUPLER MACHINE WEIGHT 0,6 - 1,2 t (1323 - 2646 lb)

ADAPTERS

AR15



KG 7 (LB 15)

CS10



KG 10 (LB 22)

CS10 JANUS PRO

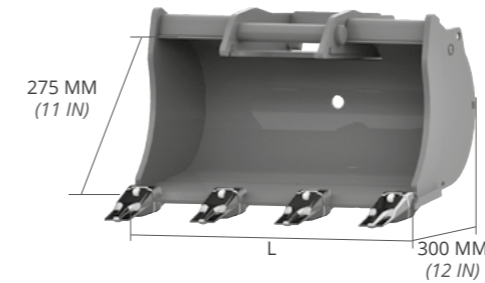


KG 10 (LB 22)

CR15



KG 10 (LB 22)



## OPTIONAL

3

SUPPLEMENTARY BLADE

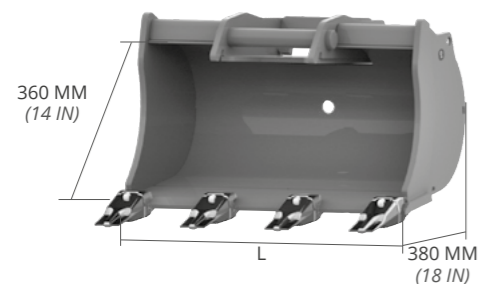
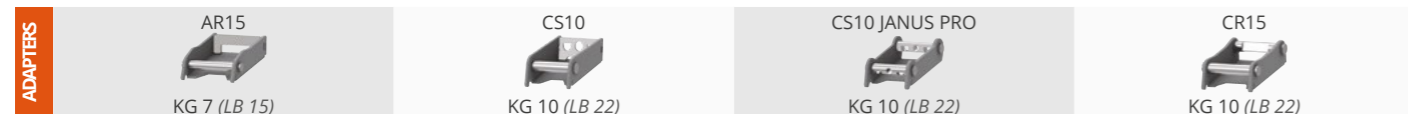
4

HB500 WELDED ADDITIONAL CUTTING EDGE

L MM (IN)	WEIGHT KG* (LB*)	CAP. SAE L (GAL)	TEETH N°	ADAPTERS
200 (8)	11 (24)	10 (2,6)	2	AR - CS CR CS JANUS PRO
250 (10)	13 (29)	14 (3,7)	DF2 DC3 DE3	AR - CS CR CS JANUS PRO
300 (12)	15 (33)	18 (4,8)	3	AR - CS CR CS JANUS PRO
350 (14)	17 (37)	21 (5,5)	3	AR - CS CR CS JANUS PRO
400 (16)	18 (40)	25 (6,6)	3	AR - CS CR CS JANUS PRO
450 (18)	20 (44)	30 (7,9)	3	AR - CS CR CS JANUS PRO
500 (20)	22 (49)	34 (9,0)	4	AR - CS CR CS JANUS PRO
600 (24)	26 (57)	42 (11,1)	4	AR - CS CR CS JANUS PRO
700 (28)	30 (66)	50 (13,2)	5	AR - CS CR CS JANUS PRO

\* weight of the tank excluding attachment

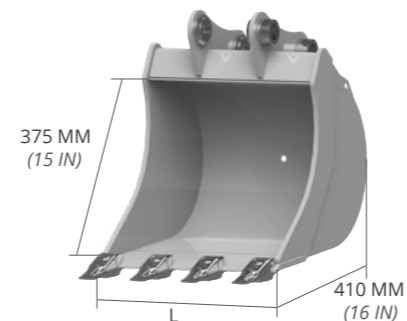
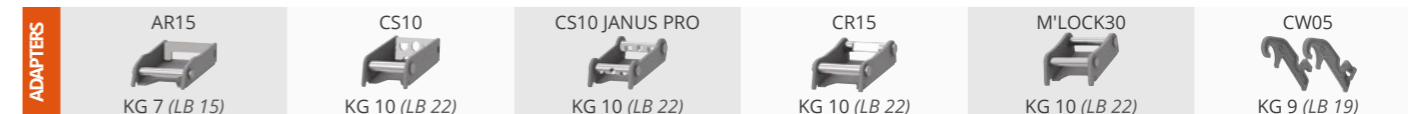
# SC36 MACHINE WEIGHT 1,2 - 1,8 t (2646 - 3968 lb)



L MM (IN)	WEIGHT KG* (LB*)	CAP. SAE L (GAL)	TEETH N.	ADAPTERS
200 (8)	15 (33)	12 (3,2)	2	AR - CS CR CS JANUS PRO
250 (10)	17 (37)	16 (4,2)	DF2 DC3 DE3	AR - CS CR CS JANUS PRO
300 (12)	19 (42)	20 (5,3)	3	AR - CS CR CS JANUS PRO
350 (14)	21 (46)	25 (6,6)	3	AR - CS CR CS JANUS PRO
400 (16)	24 (53)	31 (8,2)	3	AR - CS CR CS JANUS PRO
450 (18)	27 (60)	38 (10,0)	3	AR - CS CR CS JANUS PRO
500 (20)	30 (66)	43 (11,3)	4	AR - CS CR CS JANUS PRO
600 (24)	34 (75)	55 (14,5)	4	AR - CS CR CS JANUS PRO
700 (28)	39 (86)	65 (17,1)	5	AR - CS CR CS JANUS PRO

\* weight of the tank excluding attachment

# SC38 MACHINE WEIGHT 1,2 - 1,8 t (2646 - 3968 lb)



L MM (IN)	WEIGHT KG* (LB*)	CAP. SAE L (GAL)	TEETH N.	ADAPTERS
200 (8)	15 (33)	15 (4,0)	2	AF - AR - CS CR - CM CW - CS JANUS PRO
250 (10)	17 (37)	20 (5,3)	DF2 DC3 DE3	AF - AR - CS CR - CM CW - CS JANUS PRO
300 (12)	19 (42)	25 (6,6)	3	AF - AR - CS CR - CM CW - CS JANUS PRO
350 (14)	21 (46)	31 (8,2)	3	AF - AR - CS CR - CM CW - CS JANUS PRO
400 (16)	24 (53)	37 (9,8)	3	AF - AR - CS CR - CM CW - CS JANUS PRO
450 (18)	27 (60)	43 (11,4)	3	AF - AR - CS CR - CM CW - CS JANUS PRO
500 (20)	30 (66)	49 (12,4)	4	AF - AR - CS CR - CM CW - CS JANUS PRO
600 (24)	34 (75)	61 (16,1)	4	AF - AR - CS CR - CM CW - CS JANUS PRO
700 (28)	39 (86)	74 (19,5)	5	AF - AR - CS CR - CM CW - CS JANUS PRO

\* weight of the tank excluding attachment

### OPTIONAL

3 SUPPLEMENTARY BLADE

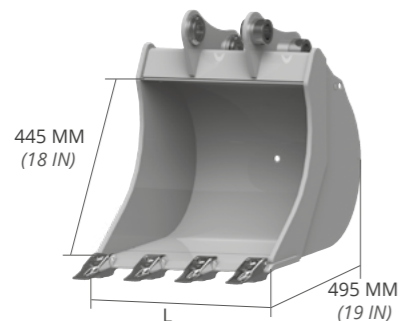
4 HB500 WELDED ADDITIONAL CUTTING EDGE

### OPTIONAL

3 SUPPLEMENTARY BLADE

4 HB500 WELDED ADDITIONAL CUTTING EDGE

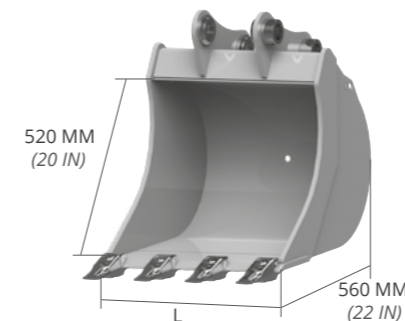
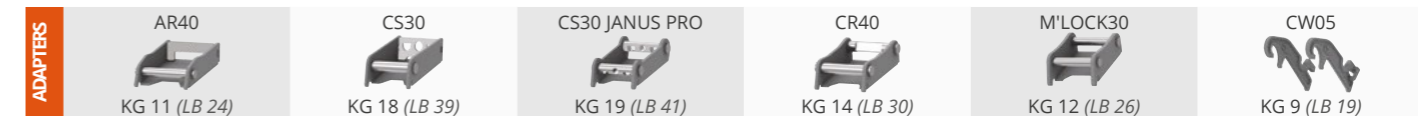
# SC45 MACHINE WEIGHT 1,8 - 2,5 t (3968 - 5512 lb)



L MM (IN)	WEIGHT KG* (LB*)	CAP. SAE L (GAL)	TEETH N.	ADAPTERS
250 (10)	23 (51)	25 (6,6)	2	AF - AR - CS CR - CM CW - CS JANUS PRO
300 (12)	26 (57)	33 (8,7)	3	AF - AR - CS CR - CM CW - CS JANUS PRO
350 (14)	29 (64)	40 (10,6)	3	AF - AR - CS CR - CM CW - CS JANUS PRO
400 (16)	32 (71)	48 (12,7)	3	AF - AR - CS CR - CM CW - CS JANUS PRO
450 (18)	35 (77)	56 (14,8)	3	AF - AR - CS CR - CM CW - CS JANUS PRO
500 (20)	38 (84)	65 (17,2)	4	AF - AR - CS CR - CM CW - CS JANUS PRO
600 (24)	44 (97)	82 (21,7)	4	AF - AR - CS CR - CM CW - CS JANUS PRO
700 (28)	50 (110)	100 (26,4)	5	AF - AR - CS CR - CM CW - CS JANUS PRO
800 (31)	58 (128)	117 (30,9)	5	AF - AR - CS CR - CM CW - CS JANUS PRO

\* weight of the tank excluding attachment

# SC53 MACHINE WEIGHT 2,5 - 4,0 t (5512 - 8818 lb)



L MM (IN)	WEIGHT KG* (LB*)	CAP. SAE L (GAL)	TEETH N.	ADAPTERS
250 (10)	32 (71)	32 (8,5)	2	AF - AR - CS CR - CM CW - CS JANUS PRO
300 (12)	35 (77)	41 (10,8)	3	AF - AR - CS CR - CM CW - CS JANUS PRO
350 (14)	40 (88)	51 (13,5)	3	AF - AR - CS CR - CM CW - CS JANUS PRO
400 (16)	44 (97)	61 (16,1)	3	AF - AR - CS CR - CM CW - CS JANUS PRO
450 (18)	48 (106)	72 (19,0)	3	AF - AR - CS CR - CM CW - CS JANUS PRO
500 (20)	51 (112)	82 (21,7)	4	AF - AR - CS CR - CM CW - CS JANUS PRO
600 (24)	59 (130)	105 (27,7)	4	AF - AR - CS CR - CM CW - CS JANUS PRO
700 (28)	67 (148)	127 (33,5)	5	AF - AR - CS CR - CM CW - CS JANUS PRO
800 (31)	75 (165)	152 (40,2)	5	AF - AR - CS CR - CM CW - CS JANUS PRO
900 (35)	83 (183)	175 (46,2)	5	AF - AR - CS CR - CM CW - CS JANUS PRO

\* weight of the tank excluding attachment

**OPTIONAL**

3 SUPPLEMENTARY BLADE

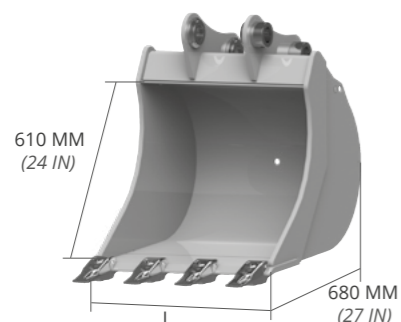
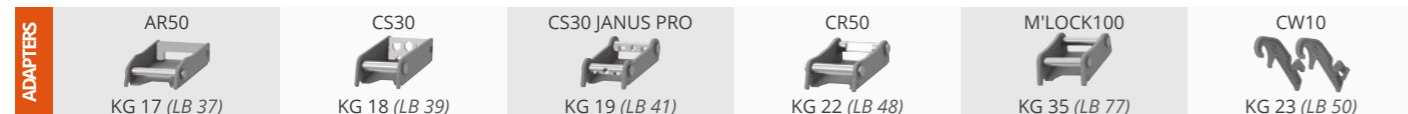
4 HB500 WELDED ADDITIONAL CUTTING EDGE

**OPTIONAL**

3 SUPPLEMENTARY BLADE

4 HB500 WELDED ADDITIONAL CUTTING EDGE

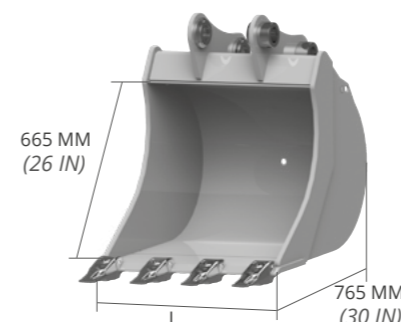
# SC62 MACHINE WEIGHT 4,0 - 5,0 t (8818 - 11023 lb)



L MM (IN)	WEIGHT KG* (LB*)	CAP. SAE L (GAL)	TEETH N.	ADAPTERS
250 (10)	48 (106)	45 (11,9)	2	AF - AR - CS CR - CM CW - CS JANUS PRO
300 (12)	53 (117)	58 (15,3)	3	AF - AR - CS CR - CM CW - CS JANUS PRO
350 (14)	58 (128)	71 (18,8)	3	AF - AR - CS CR - CM CW - CS JANUS PRO
400 (16)	63 (139)	85 (22,5)	3	AF - AR - CS CR - CM CW - CS JANUS PRO
450 (18)	68 (150)	100 (26,4)	3	AF - AR - CS CR - CM CW - CS JANUS PRO
500 (20)	73 (161)	115 (30,4)	4	AF - AR - CS CR - CM CW - CS JANUS PRO
600 (24)	84 (185)	147 (38,8)	4	AF - AR - CS CR - CM CW - CS JANUS PRO
700 (28)	95 (209)	180 (47,6)	5	AF - AR - CS CR - CM CW - CS JANUS PRO
800 (31)	106 (234)	213 (56,3)	5	AF - AR - CS CR - CM CW - CS JANUS PRO
900 (35)	117 (258)	248 (65,5)	6	AF - AR - CS CR - CM CW - CS JANUS PRO
1000 (39)	128 (282)	282 (74,5)	6	AF - AR - CS CR - CM CW - CS JANUS PRO

\* weight of the tank excluding attachment

# SC67 MACHINE WEIGHT 5,0 - 7,5 t (11023 - 16535 lb)



L MM (IN)	WEIGHT KG* (LB*)	CAP. SAE L (GAL)	TEETH N.	ADAPTERS
300 (12)	70 (154)	68 (18,0)	3	AF - AR - CS CR - CM CW - CS JANUS PRO
350 (14)	78 (172)	84 (22,2)	3	AF - AR - CS CR - CM CW - CS JANUS PRO
400 (16)	85 (187)	101 (26,7)	3	AF - AR - CS CR - CM CW - CS JANUS PRO
450 (18)	92 (203)	118 (31,2)	3	AF - AR - CS CR - CM CW - CS JANUS PRO
500 (20)	99 (218)	137 (36,2)	4	AF - AR - CS CR - CM CW - CS JANUS PRO
600 (24)	114 (251)	174 (46,0)	4	AF - AR - CS CR - CM CW - CS JANUS PRO
700 (28)	128 (282)	214 (56,5)	5	AF - AR - CS CR - CM CW - CS JANUS PRO
800 (31)	142 (313)	254 (67,1)	5	AF - AR - CS CR - CM CW - CS JANUS PRO
900 (35)	156 (344)	295 (77,9)	6	AF - AR - CS CR - CM CW - CS JANUS PRO
1000 (39)	170 (375)	338 (89,3)	6	AF - AR - CS CR - CM CW - CS JANUS PRO

\* weight of the tank excluding attachment

### OPTIONAL

3 SUPPLEMENTARY BLADE

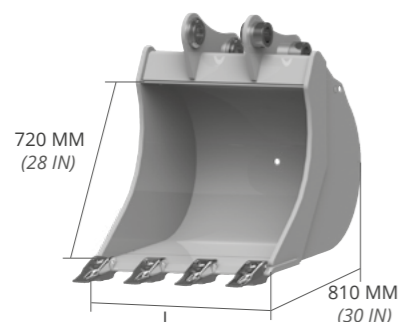
4 HB500 WELDED ADDITIONAL CUTTING EDGE

### OPTIONAL

3 SUPPLEMENTARY BLADE

4 HB500 WELDED ADDITIONAL CUTTING EDGE

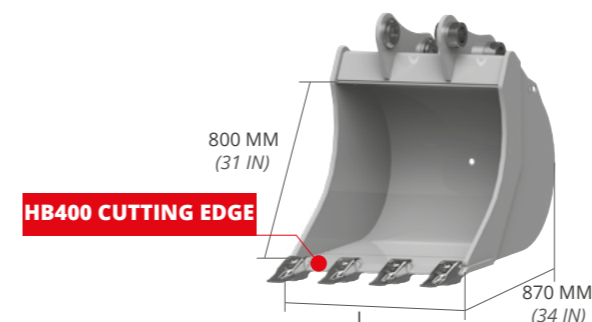
# SC73 MACHINE WEIGHT 7,5 - 10,0 t (116535 - 22046 lb)



L MM (IN)	WEIGHT KG* (LB*)	CAP. SAE L (GAL)	TEETH N.	ADAPTERS
300 (12)	82 (181)	76 (20,1)	2	AF - CS
				CR - CM
CW - CS JANUS PRO				
350 (14)	89 (196)	94 (24,8)	3	AF - CS
				CR - CM
CW - CS JANUS PRO				
400 (16)	94 (207)	113 (29,9)	3	AF - CS
				CR - CM
CW - CS JANUS PRO				
450 (18)	103 (227)	133 (35,1)	3	AF - CS
				CR - CM
CW - CS JANUS PRO				
500 (20)	111 (245)	153 (40,4)	3	AF - CS
				CR - CM
CW - CS JANUS PRO				
600 (24)	127 (280)	196 (51,8)	4	AF - CS
				CR - CM
CW - CS JANUS PRO				
700 (28)	143 (315)	240 (63,4)	4	AF - CS
				CR - CM
CW - CS JANUS PRO				
800 (31)	159 (351)	286 (75,6)	5	AF - CS
				CR - CM
CW - CS JANUS PRO				
900 (35)	175 (386)	333 (88,0)	5	AF - CS
				CR - CM
CW - CS JANUS PRO				
1000 (39)	191 (421)	379 (100,1)	5	AF - CS
				CR - CM
CW - CS JANUS PRO				
1100 (43)	207 (456)	430 (113,6)	5	AF - CS
				CR - CM
CW - CS JANUS PRO				

\* weight of the tank excluding attachment

# SC80 MACHINE WEIGHT 10,0 - 12,0 t (22046 - 26455 lb)



HB400 CUTTING EDGE

L MM (IN)	WEIGHT KG* (LB*)	CAP. SAE L (GAL)	TEETH N.	ADAPTERS
300 (12)	102 (225)	86 (22,7)	2	AF - CS
				CR - CM - CS JANUS PRO
CW				
350 (14)	110 (243)	107 (28,3)	3	AF - CS
				CR - CM - CS JANUS PRO
CW				
400 (16)	121 (267)	129 (34,1)	3	AF - CS
				CR - CM - CS JANUS PRO
CW				
450 (18)	130 (287)	151 (39,9)	3	AF - CS
				CR - CM - CS JANUS PRO
CW				
500 (20)	139 (306)	174 (46,0)	3	AF - CS
				CR - CM - CS JANUS PRO
CW				
600 (24)	157 (346)	222 (58,6)	4	AF - CS
				CR - CM - CS JANUS PRO
CW				
700 (28)	175 (386)	273 (72,1)	4	AF - CS
				CR - CM - CS JANUS PRO
CW				
800 (31)	191 (421)	325 (85,9)	5	AF - CS
				CR - CM - CS JANUS PRO
CW				
900 (35)	209 (461)	379 (100,1)	5	AF - CS
				CR - CM - CS JANUS PRO
CW				
1000 (39)	226 (498)	433 (114,4)	5	AF - CS
				CR - CM - CS JANUS PRO
CW				
1100 (43)	244 (538)	486 (128,4)	5	AF - CS
				CR - CM - CS JANUS PRO
CW				
1200 (47)	262 (578)	546 (144,2)	6	AF - CS
				CR - CM - CS JANUS PRO
CW				
1300 (51)	280 (617)	602 (159,0)	6	AF - CS
				CR - CM - CS JANUS PRO
CW				

\* weight of the tank excluding attachment

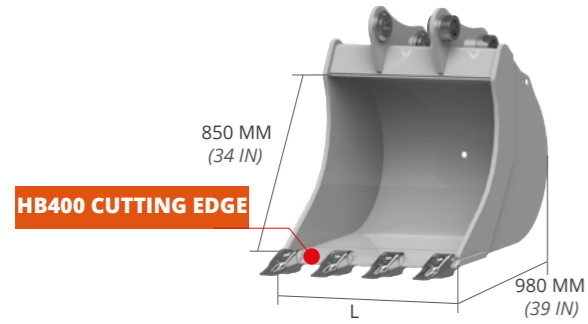
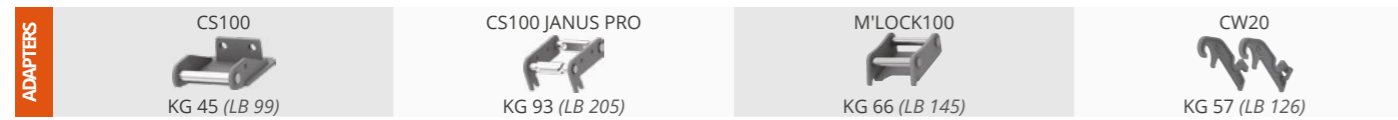
**OPTIONAL**

3	4
SUPPLEMENTARY BLADE	HB500 WELDED ADDITIONAL CUTTING EDGE

**OPTIONAL**

3	4
SUPPLEMENTARY BLADE	HB500 WELDED ADDITIONAL CUTTING EDGE

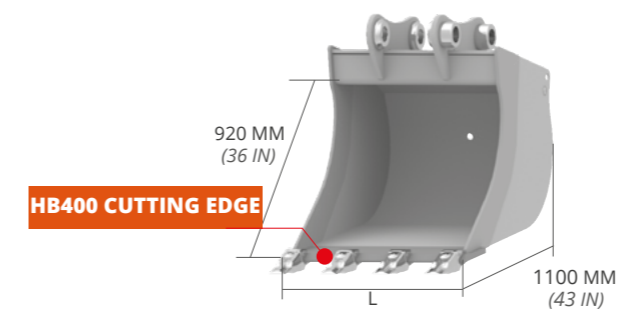
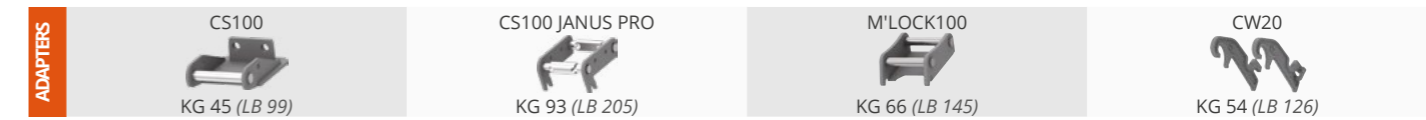
# SC85 MIDI MACHINE WEIGHT 12,0 - 14,0 t (26455 - 30865 lb)



L MM (IN)	WEIGHT KG* (LB*)	CAP. SAE L (GAL)	TEETH N.	ADAPTERS
400 (16)	170 (375)	171 (45,2)	3	AF - CM
				CS - CW
				CS JANUS PRO
500 (20)	190 (419)	235 (62,1)	3	AF - CM
				CS - CW
				CS JANUS PRO
600 (24)	210 (463)	300 (79,3)	4	AF - CM
				CS - CW
				CS JANUS PRO
700 (28)	230 (507)	368 (97,2)	4	AF - CM
				CS - CW
				CS JANUS PRO
800 (31)	250 (551)	438 (115,7)	5	AF - CM
				CS - CW
				CS JANUS PRO
900 (35)	270 (595)	510 (134,7)	5	AF - CM
				CS - CW
				CS JANUS PRO
1000 (39)	291 (642)	584 (154,3)	5	AF - CM
				CS - CW
				CS JANUS PRO
1100 (43)	312 (688)	657 (173,6)	5	AF - CM
				CS - CW
				CS JANUS PRO
1200 (47)	333 (734)	730 (192,8)	6	AF - CM
				CS - CW
				CS JANUS PRO
1300 (51)	354 (780)	810 (214,0)	6	AF - CM
				CS - CW
				CS JANUS PRO

\* weight of the tank excluding attachment

# SC92 GD EXCAVATOR MACHINE WEIGHT 12,0 - 14,0 t (26455 - 30865 lb)



L MM (IN)	WEIGHT KG* (LB*)	CAP. SAE L (GAL)	TEETH N.	ADAPTERS
400 (16)	185 (407)	250 (66)	3	AF - CM
				CS - CW
				CS JANUS PRO
500 (20)	213 (469)	315 (83)	3	AF - CM
				CS - CW
				CS JANUS PRO
600 (24)	228 (503)	380 (100,4)	4	AF - CM
				CS - CW
				CS JANUS PRO
700 (28)	251 (553)	450 (118,9)	4	AF - CM
				CS - CW
				CS JANUS PRO
800 (31)	281 (619)	560 (147,9)	5	AF - CM
				CS - CW
				CS JANUS PRO
900 (35)	309 (681)	620 (163,8)	5	AF - CM
				CS - CW
				CS JANUS PRO
1000 (39)	350 (772)	700 (184,9)	5	AF - CM
				CS - CW
				CS JANUS PRO
1200 (47)	403 (888)	900 (237,7)	6	AF - CM
				CS - CW
				CS JANUS PRO

\* weight of the tank excluding attachment

### OPTIONAL

3 SUPPLEMENTARY BLADE

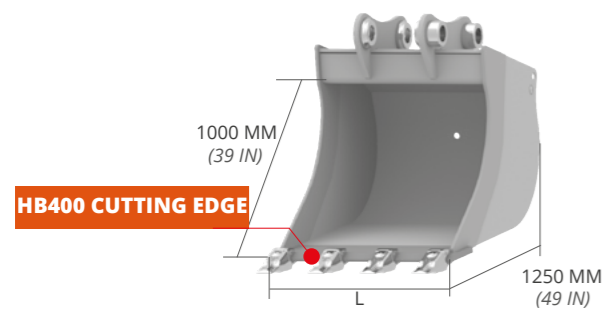
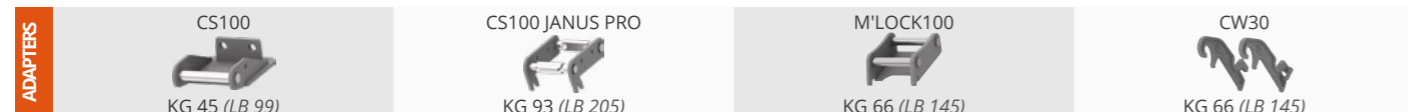
4 HB500 WELDED ADDITIONAL CUTTING EDGE

### OPTIONAL

3 SUPPLEMENTARY BLADE

4 HB500 WELDED ADDITIONAL CUTTING EDGE

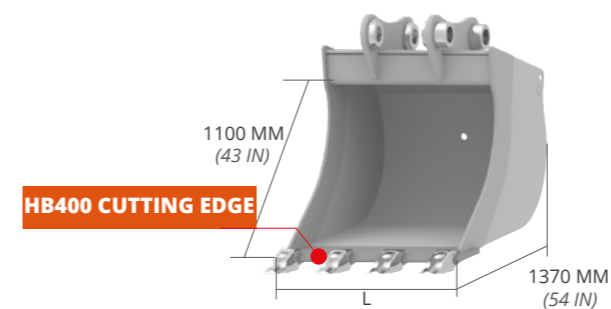
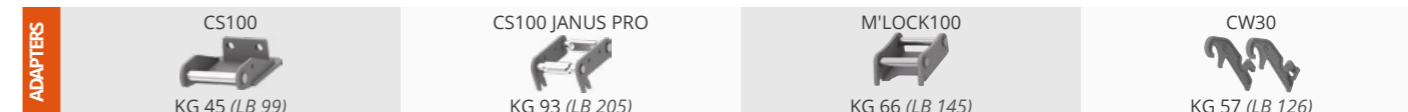
# SC100 GD MACHINE WEIGHT 14,0 - 18,0 t (30865 - 39683 lb)



L MM (IN)	WEIGHT KG* (LB*)	CAP. SAE L (GAL)	TEETH N.	ADAPTERS
400 (16)	250 (511)	300 (79)	3	AF - CM
				CS - CW
				CS JANUS PRO
500 (20)	287 (632)	370 (98)	3	AF - CM
				CS - CW
				CS JANUS PRO
600 (24)	316 (697)	450 (118,9)	3	AF - CM
				CS - CW
				CS JANUS PRO
700 (28)	355 (783)	535 (141,3)	4	AF - CM
				CS - CW
				CS JANUS PRO
800 (31)	394 (869)	620 (163,7)	4	AF - CM
				CS - CW
				CS JANUS PRO
900 (35)	433 (955)	710 (187,5)	4	AF - CM
				CS - CW
				CS JANUS PRO
1000 (39)	472 (1041)	800 (211,3)	5	AF - CM
				CS - CW
				CS JANUS PRO
1200 (47)	550 (1213)	980 (258,8)	5	AF - CM
				CS - CW
				CS JANUS PRO

\* weight of the tank excluding attachment

# SC110 GD MACHINE WEIGHT 18,0 - 22,0 t (39683 - 48502 lb)



L MM (IN)	WEIGHT KG* (LB*)	CAP. SAE L (GAL)	TEETH N.	ADAPTERS
600 (24)	412 (908)	480 (126,8)	3	AF - CM
				CS - CW
				CS JANUS PRO
800 (31)	502 (1107)	690 (182,3)	4	AF - CM
				CS - CW
				CS JANUS PRO
1000 (39)	592 (1305)	900 (237,7)	5	AF - CM
				CS - CW
				CS JANUS PRO
1200 (47)	682 (1504)	1110 (293,2)	5	AF - CM
				CS - CW
				CS JANUS PRO
1300 (52)	727 (1603)	1220 (322,2)	6	AF - CM
				CS - CW
				CS JANUS PRO
1400 (55)	772 (1702)	1330 (351,3)	6	AF - CM
				CS - CW
				CS JANUS PRO

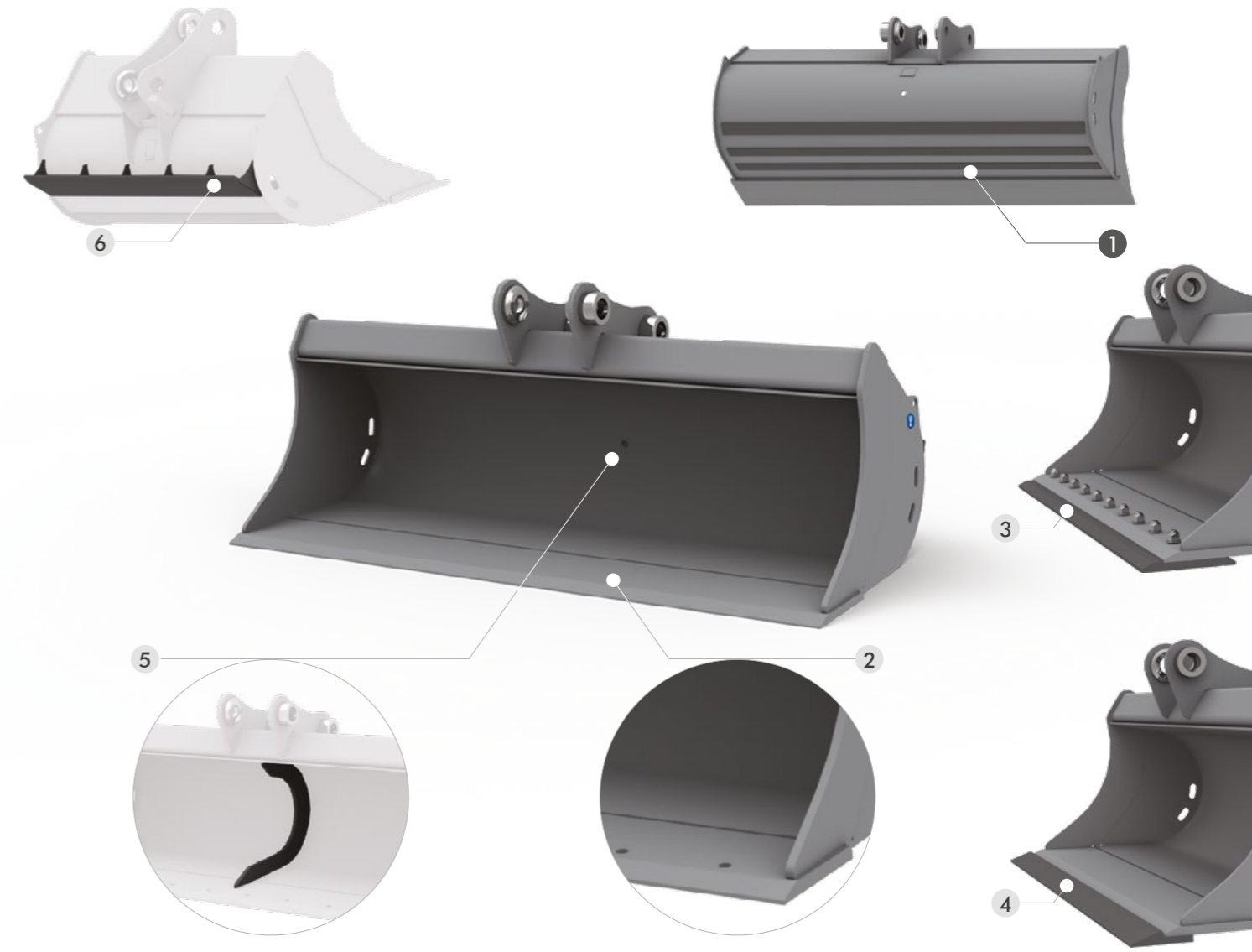
\* weight of the tank excluding attachment

### OPTIONAL

3	4
SUPPLEMENTARY BLADE	HB500 WELDED ADDITIONAL CUTTING EDGE

### OPTIONAL

3	4
SUPPLEMENTARY BLADE	HB500 WELDED ADDITIONAL CUTTING EDGE



**STANDARD TECHNICAL FEATURES**

- 1 REINFORCING STRIPS**  
THE HORIZONTAL REINFORCING STRIPS ON THE BUCKET'S REAR AND BOTTOM PROTECT THE BUCKET FROM WEAR AND INCREASE ITS RESISTANCE.

**OPTIONAL**

- 2 PERFORATED BLADE**
- 3 HB400 ADDITIONAL BOLT-ON REVERSIBLE CUTTING EDGE**  
BOLTED-IN HB400 REVERSIBLE UNDERBLADE. RECOMMENDED TO WORK ON PARTICULARLY ABRASIVE SOILS.
- 4 HB500 WELDED ADDITIONAL EDGE**
- 5 BEZEL**  
IT ENSURES A HIGHER STRUCTURAL RESISTANCE. **HIGHLY RECOMMENDED WITH BUCKETS 1400MM WIDE OR MORE.**
- 6 REAR RAZOR**  
WHEN THE MACHINE'S ARM IS KEPT CLOSED, IT ALLOWS TO FINISH SURFACES EVENLY.

ITS ENLARGED AND LOW-PROFILE SHAPE MAKES IT SUITABLE FOR THE REALIZATION AND MAINTENANCE OF DRAINS, DITCHES AND EARTH BANKS. SUPPLIED WITH HOLES ON WALLS AND BOTTOM FOR THE WATER DRAINAGE.

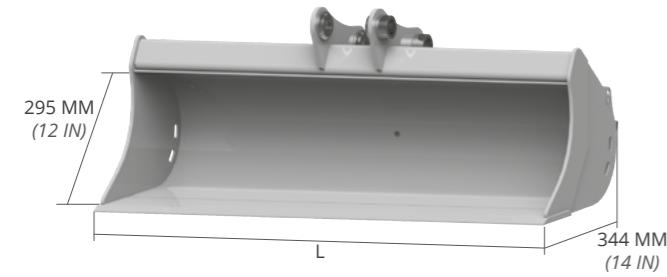
**THE INSTALLATION OF BEZELS IS HIGHLY RECOMMENDED FOR BUCKETS WIDER THAN 1400 MM, IN ORDER TO AVOID DAMAGES TO THE BUCKET IN CASE OF HEAVY DUTY JOBS OR WITH PARTICULARLY HARD TERRAINS:**

- WIDTH FROM 1400 TO 1500 MM: NR. 1 BEZEL
- WIDTH FROM 1600 TO 1600 MM: NR. 2 BEZELS
- WIDTH FROM 1800 TO 2200 MM: NR. 3 BEZELS

MOD.	MIDI							EXCAVATOR		
	SP30	SP35	SP40	SP40	SP45	SP50	SP55	SP60	SP65 GD	SP70 GD
TONS (LB)	0,6 - 1,2 (1323 - 2646)	1,2 - 1,8 (2646 - 3968)	2,0 - 2,5 (4409 - 5512)	2,5 - 4,0 (5512 - 8818)	4,0 - 5,0 (8818 - 11023)	5,0 - 7,5 (11023 - 16535)	7,5 - 10,0 (16535 - 22046)	10,0 - 12,0 (22046 - 26455)	12,0 - 18,0 (26456 - 39683)	18,0 - 22,0 (39683 - 48502)



## SP30 MACHINE WEIGHT 0,6 - 1,2 t (1323 - 2646 lb)

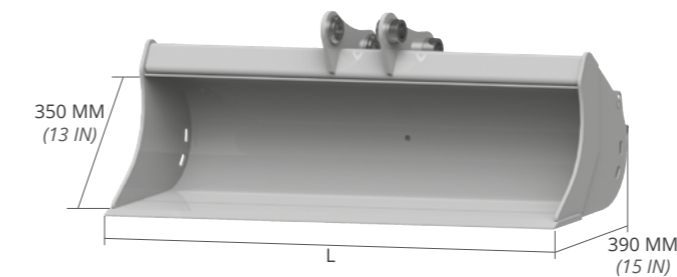
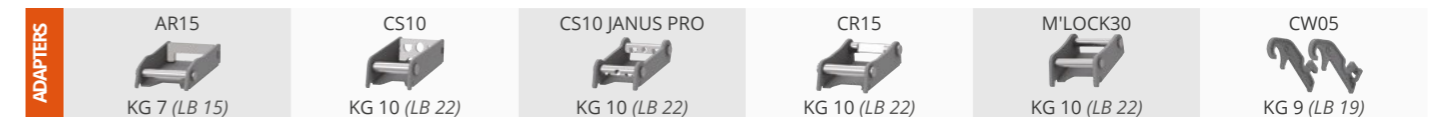


L MM (IN)	WEIGHT KG* (LB*)	CAP. SAE L (GAL)	ADAPTERS
600 (24)	28 (62)	41 (10,8)	AF - AR - CS
			CR - CM
			CW - CS JANUS PRO
800 (31)	37 (82)	58 (15,3)	AF - AR - CS
			CR - CM
			CW - CS JANUS PRO
1000 (39)	46 (101)	74 (19,5)	AF - AR - CS
			CR - CM
			CW - CS JANUS PRO

### OPTIONAL

REAR RAZOR 6

## SP35 MACHINE WEIGHT - 1,2 - 1,8 t (2646 - 3968 lb)

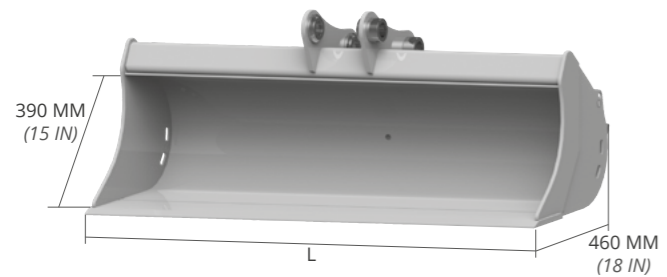


L MM (IN)	WEIGHT KG* (LB*)	CAP. SAE L (GAL)	ADAPTERS
800 (31)	44 (97)	75 (19,8)	AF - AR - CS
			CR - CM
			CW - CS JANUS PRO
1000 (39)	53 (117)	96 (25,4)	AF - AR - CS
			CR - CM
			CW - CS JANUS PRO
1200 (47)	62 (137)	117 (30,9)	AF - AR - CS
			CR - CM
			CW - CS JANUS PRO

### OPTIONAL

PERFORATED BLADE 2 HB400 ADDITIONAL EDGE MOUNTED ON THE 3 HB500 WELDED ADDITIONAL EDGE 4 REAR RAZOR 6

## SP40 MACHINE WEIGHT 2,0 - 2,5 t (4409 - 5512 lb)

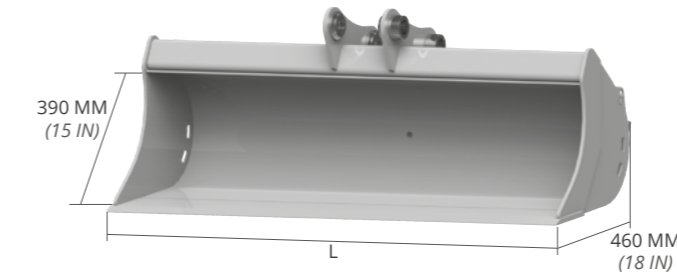


L MM (IN)	WEIGHT KG* (LB*)	CAP. SAE L (GAL)	ADAPTERS
1000 (39)	72 (159)	125 (33,0)	AF - AR - CS
			CR - CM
			CW - CS JANUS PRO
1200 (47)	85 (187)	154 (40,7)	AF - AR - CS
			CR - CM
			CW - CS JANUS PRO

### OPTIONAL

PERFORATED BLADE 2 HB400 ADDITIONAL EDGE MOUNTED ON THE 3 HB500 WELDED ADDITIONAL EDGE 4 BEZEL 5 REAR RAZOR 6

## SP40 MACHINE WEIGHT 2,5 - 4,0 t (5512 - 8818 lb)



L MM (IN)	WEIGHT KG* (LB*)	CAP. SAE L (GAL)	ADAPTERS
1000 (39)	72 (159)	125 (33,0)	AF - AR - CS
			CR - CM
			CW - CS JANUS PRO
1200 (47)	85 (187)	154 (40,7)	AF - AR - CS
			CR - CM
			CW - CS JANUS PRO
1400 (55)	98 (216)	182 (48,1)	AF - AR - CS
			CR - CM
			CW - CS JANUS PRO

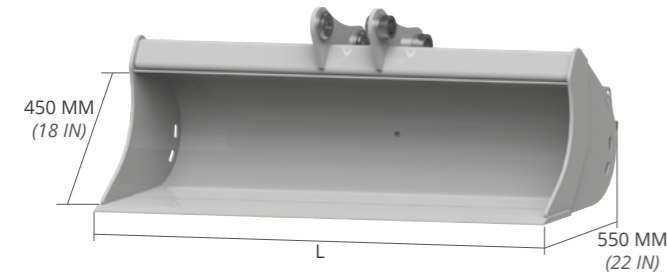
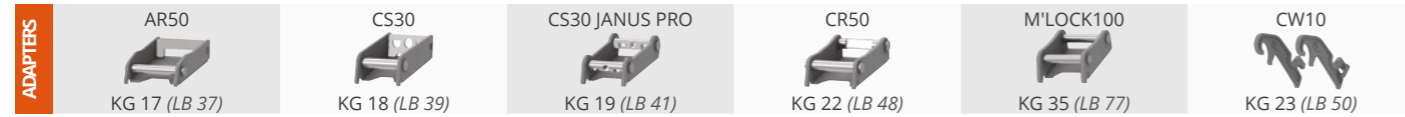
### OPTIONAL

PERFORATED BLADE 2 HB400 ADDITIONAL EDGE MOUNTED ON THE 3 HB500 WELDED ADDITIONAL EDGE 4 BEZEL 5 REAR RAZOR 6

\* weight of the tank excluding attachment

\* weight of the tank excluding attachment

## SP45 MACHINE WEIGHT 4,0 - 5,0 t (8818 - 11023 lb)

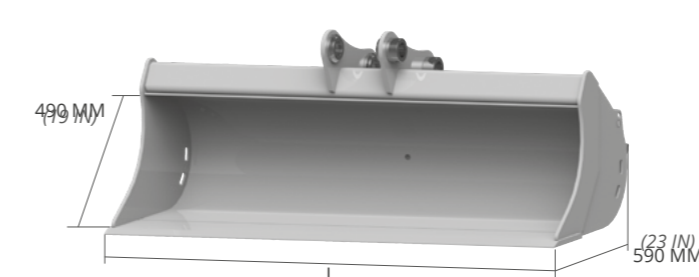


L MM (IN)	WEIGHT KG* (LB*)	CAP. SAE L (GAL)	ADAPTERS
1200 (47)	113 (249)	213 (56,3)	AF - AR - CS
			CR - CM
			CW - CS JANUS PRO
1400 (55)	130 (287)	254 (67,1)	AF - AR - CS
			CR - CM
			CW - CS JANUS PRO
1500 (59)	138 (304)	274 (72,4)	AF - AR - CS
			CR - CM
			CW - CS JANUS PRO
1600 (63)	146 (322)	295 (78)	AF - AR - CS
			CR - CM
			CW - CS JANUS PRO

### OPTIONAL

- 2 PERFORATED BLADE
- 3 HB400 ADDITIONAL EDGE MOUNTED ON THE BUCKET
- 4 HB500 WELDED ADDITIONAL EDGE
- 5 BEZEL
- 6 REAR RAZOR

## SP50 SP50 MACHINE WEIGHT 5,0 - 7,5 t (11012 - 16535 lb)

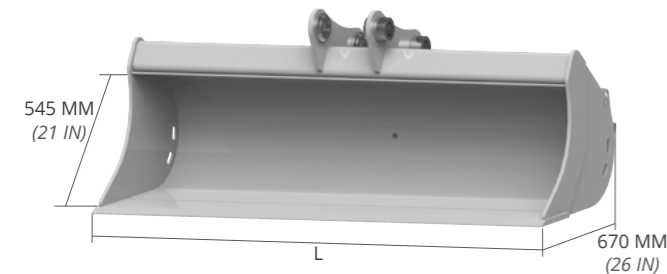


L MM (IN)	WEIGHT KG* (LB*)	CAP. SAE L (GAL)	ADAPTERS
1200 (47)	136 (300)	250 (66,0)	AF - AR - CS
			CR - CM
			CW - CS JANUS PRO
1400 (55)	156 (344)	298 (78,8)	AF - AR - CS
			CR - CM
			CW - CS JANUS PRO
1600 (63)	176 (388)	345 (91,1)	AF - AR - CS
			CR - CM
			CW - CS JANUS PRO
1800 (71)	196 (432)	392 (103,6)	AF - AR - CS
			CR - CM
			CW - CS JANUS PRO

### OPTIONAL

- 2 PERFORATED BLADE
- 3 HB400 ADDITIONAL EDGE MOUNTED ON THE BUCKET
- 4 HB500 WELDED ADDITIONAL EDGE
- 5 BEZEL
- 6 REAR RAZOR

## SP55 MACHINE WEIGHT 7,5 - 10,0 t (16535 - 22046 lb)

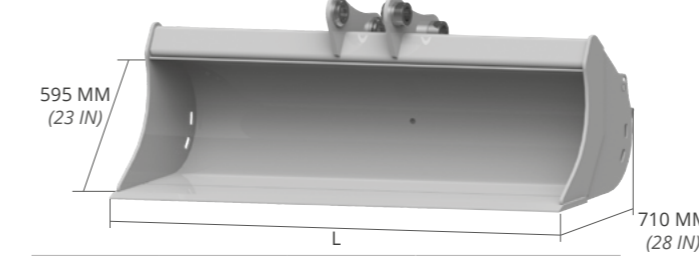


L MM (IN)	WEIGHT KG* (LB*)	CAP. SAE L (GAL)	ADAPTERS
1200 (47)	183 (403)	326 (86,1)	AF - CS
			CR - CM
			CW - CS JANUS PRO
1400 (55)	209 (461)	387 (102,2)	AF - CS
			CR - CM
			CW - CS JANUS PRO
1600 (63)	236 (520)	447 (118,1)	AF - CS
			CR - CM
			CW - CS JANUS PRO
1800 (71)	263 (580)	507 (133,9)	AF - CS
			CR - CM
			CW - CS JANUS PRO

### OPTIONAL

- 2 PERFORATED BLADE
- 3 HB400 ADDITIONAL EDGE MOUNTED ON THE BUCKET
- 4 HB500 WELDED ADDITIONAL EDGE
- 5 BEZEL
- 6 REAR RAZOR

## SP60 MIDI MACHINE WEIGHT 10,0 - 12,0 t (22046 - 26455 lb)



L MM (IN)	WEIGHT KG* (LB*)	CAP. SAE L (GAL)	ADAPTERS
1200 (47)	218 (481)	367 (97,0)	AF - CS
			CR - CM - CS JANUS PRO
			CW
1400 (55)	248 (547)	436 (115,2)	AF - CS
			CR - CM - CS JANUS PRO
			CW
1600 (63)	280 (617)	504 (133,1)	AF - CS
			CR - CM - CS JANUS PRO
			CW
1800 (71)	310 (683)	573 (151,4)	AF - CS
			CR - CM - CS JANUS PRO
			CW
2000 (79)	340 (750)	641 (169,3)	AF - CS
			CR - CM - CS JANUS PRO
			CW

### OPTIONAL

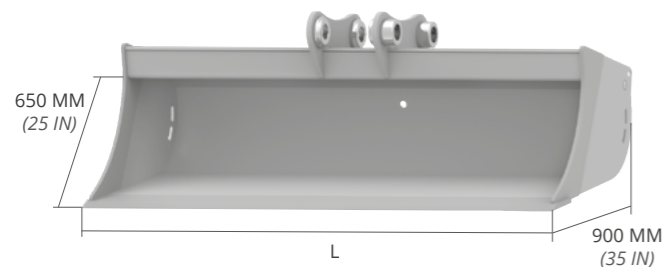
- 2 PERFORATED BLADE
- 3 HB400 ADDITIONAL EDGE MOUNTED ON THE BUCKET
- 4 HB500 WELDED ADDITIONAL EDGE
- 5 BEZEL
- 6 REAR RAZOR

\* weight of the tank excluding attachment

\* weight of the tank excluding attachment

## SP65 GD EXCAVATOR MACHINE WEIGHT 12,0 - 18,0 t (26456 - 39683 lb)

ADAPTERS	CS100 KG 45 (LB 99)	CS100 JANUS PRO KG 93 (LB 205)	M'LOCK100 KG 66 (LB 145)	CW20 KG 57 (LB 126)
----------	------------------------	-----------------------------------	-----------------------------	------------------------



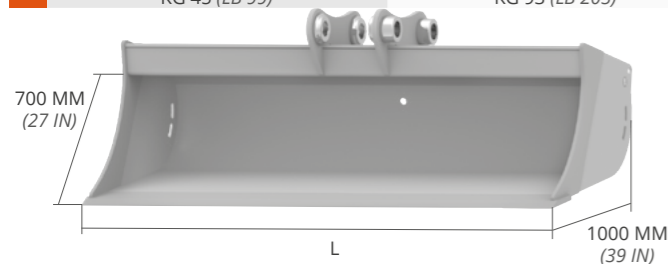
L MM (IN)	WEIGHT KG* (LB*)	CAP. SAE L (GAL)	ADAPTERS
1400 (55)	318 (701)	631 (166,7)	AF - CM
			CS - CW
			CS JANUS PRO
1500 (59)	339 (747)	665 (175,7)	AF - CM
			CS - CW
			CS JANUS PRO
1600 (63)	359 (791)	699 (184,7)	AF - CM
			CS - CW
			CS JANUS PRO
1800 (71)	400 (882)	767 (202,6)	AF - CM
			CS - CW
			CS JANUS PRO
2000 (79)	440 (970)	835 (220,6)	AF - CM
			CS - CW
			CS JANUS PRO

### OPTIONAL

2	3	4	5	6
PERFORATED BLADE	HB400 ADDITIONAL EDGE MOUNTED ON THE BUCKET	HB500 WELDED EDGE MOUNTED ON ADDITIONAL EDGE	BEZEL	REAR RAZOR

## SP70 GD MACHINE WEIGHT 18,0 - 22,0 t (39683 - 48502 lb)

ADAPTERS	CS100 KG 45 (LB 99)	CS100 JANUS PRO KG 93 (LB 205)	M'LOCK100 KG 66 (LB 145)	CW30 KG 66 (LB 145)
----------	------------------------	-----------------------------------	-----------------------------	------------------------



L MM (IN)	WEIGHT KG* (LB*)	CAP. SAE L (GAL)	ADAPTERS
1500 (59)	417 (919)	780 (206,1)	AF - CM
			CS - CW
			CS JANUS PRO
1600 (63)	442 (974)	820 (216,6)	AF - CM
			CS - CW
			CS JANUS PRO
1800 (71)	492 (1085)	900 (237,8)	AF - CM
			CS - CW
			CS JANUS PRO
2000 (79)	540 (1190)	980 (258,9)	AF - CM
			CS - CW
			CS JANUS PRO
2200 (87)	586 (1292)	1060 (280,0)	AF - CM
			CS - CW
			CS JANUS PRO

### OPTIONAL

2	3	4	5	6
PERFORATED BLADE	HB400 ADDITIONAL EDGE MOUNTED ON THE BUCKET	HB500 WELDED EDGE MOUNTED ON ADDITIONAL EDGE	BEZEL	REAR RAZOR



\* weight of the tank excluding attachment



**STANDARD TECHNICAL FEATURES**

- 1 REINFORCING STRIPS**  
THE HORIZONTAL REINFORCING STRIPS ON THE BUCKET'S REAR AND BOTTOM PROTECT THE BUCKET FROM WEAR AND INCREASE ITS RESISTANCE.
- 2 BLOCK VALVE**  
IT ALLOWS TO KEEP THE BUCKET POSITIONING DURING THE WORKING PHASE.
- 3 DOUBLE CYLINDER FOR SQ65 GD, SQ70 GD**

**OPTIONAL**

- 4 PERFORATED BLADE**
- 5 HB400 ADDITIONAL BOLT-ON REVERSIBLE CUTTING EDGE**  
BOLTED-IN HB400 REVERSIBLE UNDERBLADE. RECOMMENDED TO WORK ON PARTICULARLY ABRASIVE SOILS.
- 6 HB500 WELDED ADDITIONAL CUTTING EDGE**
- 7 BEZEL**  
IT ENSURES A HIGHER STRUCTURAL RESISTANCE. **HIGHLY RECOMMENDED WITH BUCKETS 1400MM (55) WIDE OR MORE.**
- 8 REAR RAZOR**  
WHEN THE MACHINE'S ARM IS KEPT CLOSED, IT ALLOWS TO FINISH SURFACES EVENLY.

- 9 PIPE KIT**  
OPTIONAL KIT INSTALLED ON THE BUCKET FOR THE FEEDING OF THE HYDRAULIC CYLINDER. IT ALLOWS THE USE OF TWO OUTLETS ON THE RIGHT AND TWO OUTLETS ON THE LEFT FOR THE HYDRAULIC CONNECTION TO THE MACHINE REDUCING THE INSTALLATION TIMES. THE CONNECTING PIPES ARE NOT SUPPLIED.

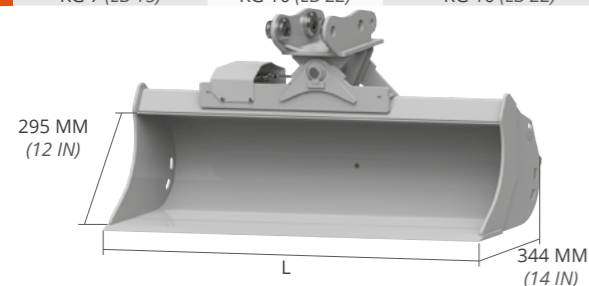
PARTICULARLY SUITABLE FOR FINISHING AND LEVELLING WORKS. ITS TILTING MECHANISM ENABLES TO TILT THE BUCKET BY 45° ON BOTH SIDES. THE STANDARD BLOCK VALVE ENABLES TO KEEP THE ANGLE.

**THE INSTALLATION OF BEZELS IS HIGHLY RECOMMENDED FOR BUCKETS WIDER THAN 1400 MM, IN ORDER TO AVOID DAMAGES TO THE BUCKET IN CASE OF HEAVY DUTY JOBS OR WITH PARTICULARLY HARD TERRAINS:**

- WIDTH FROM 1400 TO 1500 MM: NR. 1 BEZEL
- WIDTH FROM 1600 TO 1600 MM: NR. 2 BEZELS
- WIDTH FROM 1800 TO 2200 MM: NR. 3 BEZELS

MOD.	SQ30	SQ35	SQ40	SQ45	SQ50	SQ55	MIDI	EXCAVATOR	
							SQ60	SQ65 GD	SQ70 GD
TONS (LB)	1,0 - 1,8 (2204 - 3968)	1,8 - 2,5 (3968 - 5512)	2,5 - 4,0 (5512 - 8818)	4,0 - 5,0 (8818 - 11023)	5,0 - 7,5 (11023 - 16535)	7,5 - 10,0 (16535 - 22046)	10,0 - 12,0 (22046 - 26455)	12,0 - 18,0 (26456 - 39683)	18,0 - 22,0 (39683 - 48502)

## SQ30 MACHINE WEIGHT 1,0 - 1,8 t (2204 - 3968 lb)

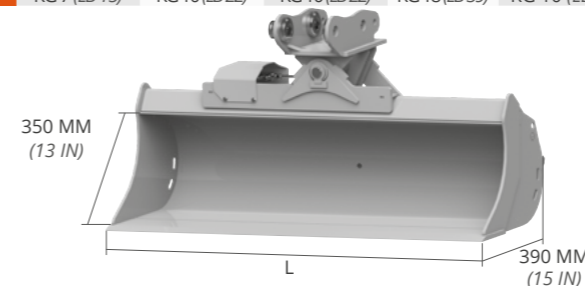


### OPTIONAL



L MM (IN)	WEIGHT KG* (LB*)	CAP. SAE L (GAL)	ADAPTERS
800 (31)	69 (153)	58 (15,3)	AF - AR - CS
			CR - CM
			CW - CS JANUS PRO
1000 (39)	78 (173)	74 (19,5)	AF - AR - CS
			CR - CM
			CW - CS JANUS PRO

## SQ35 MACHINE WEIGHT - 1,8 - 2,5 t (3968 - 5512 lb)

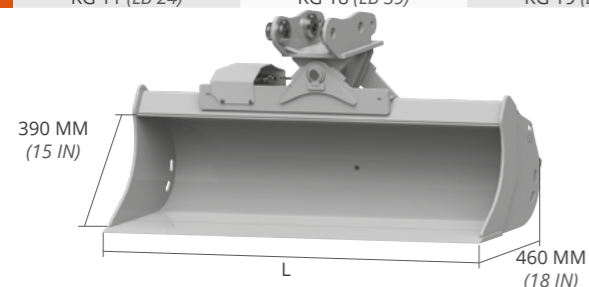
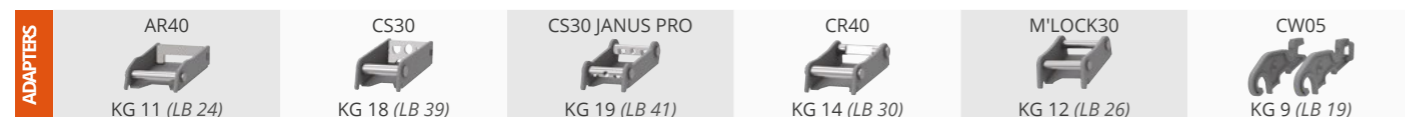


### OPTIONAL

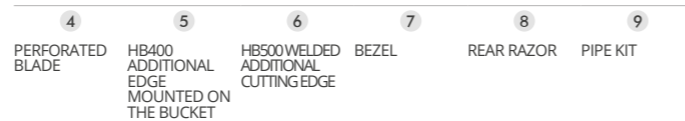


L MM (IN)	WEIGHT KG* (LB*)	CAP. SAE L (GAL)	ADAPTERS
800 (31)	76 (169)	75 (19,8)	AF - AR - CS
			CR - CM
			CW - CS JANUS PRO
1000 (39)	85 (188)	96 (25,4)	AF - AR - CS
			CR - CM
			CW - CS JANUS PRO
1200 (47)	94 (208)	117 (30,9)	AF - AR - CS
			CR - CM
			CW - CS JANUS PRO

## SQ40 MACHINE WEIGHT 2,5 - 4,0 t (5512 - 8818 lb)

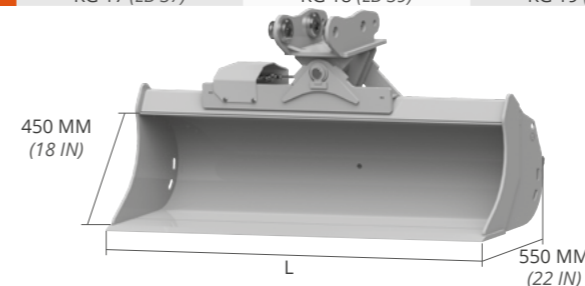
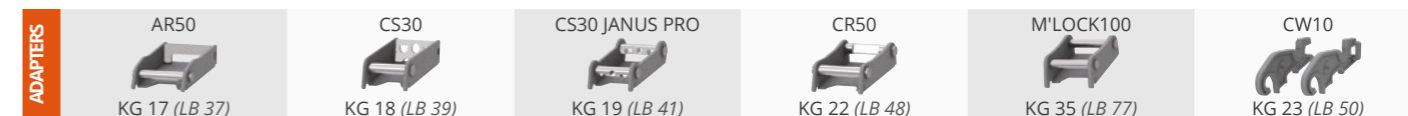


### OPTIONAL

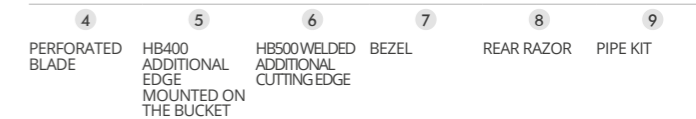


L MM (IN)	WEIGHT KG* (LB*)	CAP. SAE L (GAL)	ADAPTERS
1000 (39)	130 (286)	125 (33,0)	AF - AR - CS
			CR - CM
			CW - CS JANUS PRO
1200 (47)	143 (315)	154 (40,7)	AF - AR - CS
			CR - CM
			CW - CS JANUS PRO
1400 (55)	156 (343)	182 (48,1)	AF - AR - CS
			CR - CM
			CW - CS JANUS PRO

## SQ45 MACHINE WEIGHT 4,0 - 5,0 t (8818 - 11023 lb)



### OPTIONAL

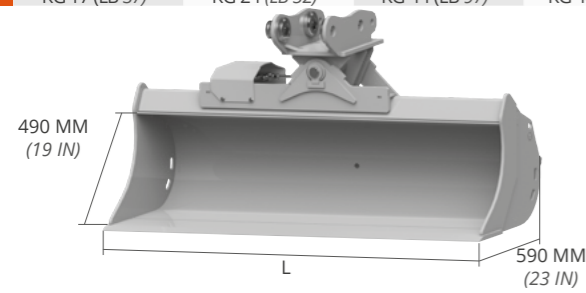


L MM (IN)	WEIGHT KG* (LB*)	CAP. SAE L (GAL)	ADAPTERS
1200 (47)	196 (433)	213 (56,3)	AF - AR - CS
			CR - CM
			CW - CS JANUS PRO
1400 (55)	213 (470)	254 (67,1)	AF - AR - CS
			CR - CM
			CW - CS JANUS PRO
1500 (59)	221 (488)	274 (72,4)	AF - AR - CS
			CR - CM
			CW - CS JANUS PRO

\* weight of the tank excluding attachment

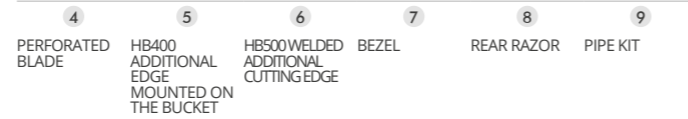
\* weight of the tank excluding attachment

## SQ50 MACHINE WEIGHT 5,0 - 7,5 t (11012 - 16535 lb)

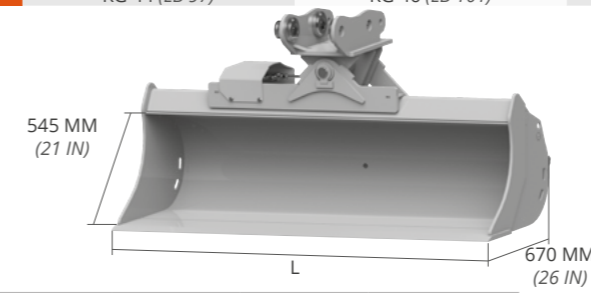


L MM (IN)	WEIGHT KG* (LB*)	CAP. SAE L (GAL)	ADAPTERS
1200 (47)	219 (483)	250 (66,0)	AF - AR - CS CR - CM CW - CS JANUS PRO
1400 (55)	239 (527)	298 (78,8)	AF - AR - CS CR - CM CW - CS JANUS PRO
1600 (63)	259 (571)	345 (91,1)	AF - AR - CS CR - CM CW - CS JANUS PRO
1800 (71)	279 (616)	392 (103,6)	AF - AR - CS CR - CM CW - CS JANUS PRO

### OPTIONAL



## SQ55 MACHINE WEIGHT 7,5 - 10,0 t (16535 - 22046 lb)

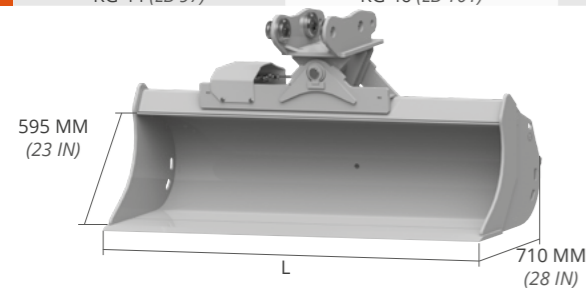


L MM (IN)	WEIGHT KG* (LB*)	CAP. SAE L (GAL)	ADAPTERS
1200 (47)	296 (653)	326 (86,1)	AF - CS CR - CM CW - CS JANUS PRO
1400 (55)	322 (710)	387 (102,2)	AF - CS CR - CM CW - CS JANUS PRO
1600 (63)	349 (770)	447 (118,1)	AF - CS CR - CM CW - CS JANUS PRO
1800 (71)	376 (829)	507 (133,9)	AF - CS CR - CM CW - CS JANUS PRO

### OPTIONAL



## SQ60 MIDI MACHINE WEIGHT 10,0 - 12,0 t (22046 - 26455 lb)

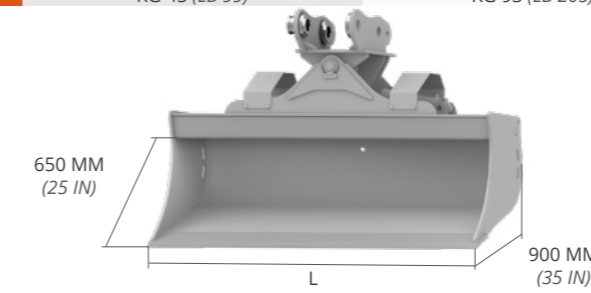


L MM (IN)	WEIGHT KG* (LB*)	CAP. SAE L (GAL)	ADAPTERS
1200 (47)	331 (730)	367 (97,0)	AF - CS CR - CM - CS JANUS PRO CW
1400 (55)	361 (796)	436 (115,2)	AF - CS CR - CM - CS JANUS PRO CW
1600 (63)	393 (867)	504 (133,1)	AF - CS CR - CM - CS JANUS PRO CW
1800 (71)	423 (933)	573 (151,4)	AF - CS CR - CM - CS JANUS PRO CW
2000 (79)	453 (999)	641 (169,3)	AF - CS CR - CM - CS JANUS PRO CW

### OPTIONAL



## SQ65 GD EXCAVATOR MACHINE WEIGHT 12,0 - 18,0 t (26456 - 39683 lb)



L MM (IN)	WEIGHT KG* (LB*)	CAP. SAE L (GAL)	ADAPTERS
1400 (55)	456 (1005)	631 (166,7)	AF - CM CS - CW CS JANUS PRO
1500 (59)	477 (1052)	665 (175,7)	AF - CM CS - CW CS JANUS PRO
1600 (63)	497 (1096)	699 (184,7)	AF - CM CS - CW CS JANUS PRO
1800 (71)	538 (1186)	767 (202,6)	AF - CM CS - CW CS JANUS PRO
2000 (79)	578 (1274)	835 (220,6)	AF - CM CS - CW CS JANUS PRO

### OPTIONAL



\* weight of the tank excluding attachment

\* weight of the tank excluding attachment

# SQ70 GD MACHINE WEIGHT 18,0 - 22,0 t (39683 - 48502 lb)

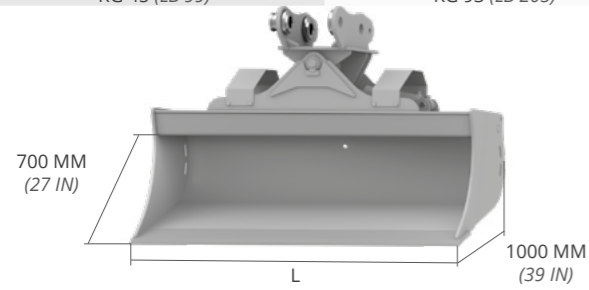
ADAPTERS

CS100  
KG 45 (LB 99)

CS100 JANUS PRO  
KG 93 (LB 205)

M'LOCK100  
KG 66 (LB 145)

CW30  
KG 57 (LB 126)



L MM (IN)	WEIGHT KG* (LB*)	CAP. SAE L (GAL)	ADAPTERS
1500 (59)	555 (1224)	780 (206,1)	AF - CM
			CS - CW
			CS JANUS PRO
1600 (63)	580 (1279)	820 (216,6)	AF - CM
			CS - CW
			CS JANUS PRO
1800 (71)	630 (1389)	900 (237,8)	AF - CM
			CS - CW
			CS JANUS PRO
2000 (79)	678 (1495)	980 (258,9)	AF - CM
			CS - CW
			CS JANUS PRO
2200 (87)	724 (1596)	1060 (280,0)	AF - CM
			CS - CW
			CS JANUS PRO

## OPTIONAL

4	5	6	7	8	9
PERFORATED BLADE	HB400 ADDITIONAL EDGE MOUNTED ON THE BUCKET	HB500 WELDED ADDITIONAL CUTTING EDGE	BEZEL	REAR RAZOR	PIPE KIT



\* weight of the tank excluding attachment



THE SKELETON BUCKET IS DESIGNED TO SORT STONES AND AGGREGATE MATERIALS. THE SIEVED MATERIAL'S SIZE DEPENDS ON THE DISTANCE AMONG THE GRIDS.



**STANDARD TECHNICAL FEATURES**

- 1 DC TEETH DTE TEETH

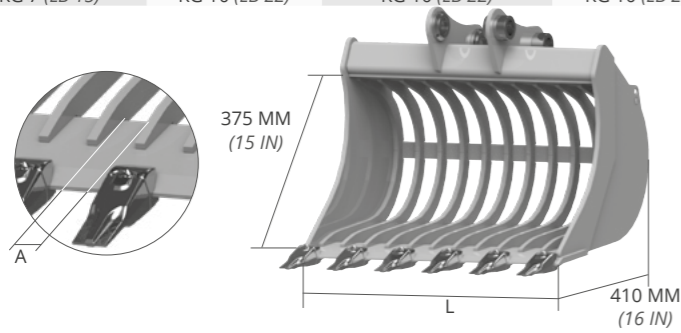
**OPTIONAL**

- 2 HB500 WELDED ADDITIONAL CUTTING EDGE (NO TEETH)  
RECOMMENDED TO WORK ON PARTICULARLY ABRASIVE SOILS.

MOD.	MIDI							EXCAVATOR			
	VE38	VE45	VE53	VE62	VE67	VE73	VE80	VE85	VE92 GD	VE100 GD	VE110 GD
TONS (LB)	0,6 - 1,8 (1323 - 3968)	1,8 - 2,5 (2646 - 5512)	2,5 - 4,0 (5512 - 8818)	4,0 - 5,0 (8818 - 11023)	5,0 - 7,5 (11023 - 16535)	7,5 - 10,0 (16535 - 22046)	10,0 - 12,0 (22046 - 26455)	12,0 - 14,0 (26455 - 30865)	12,0 - 14,0 (26455 - 30865)	14,0 - 16,0 (30865 - 35274)	16,0 - 19,0 (35274 - 41887)



## VE38 MACHINE WEIGHT 0,6 - 1,8 t (1323 - 3968 lb)



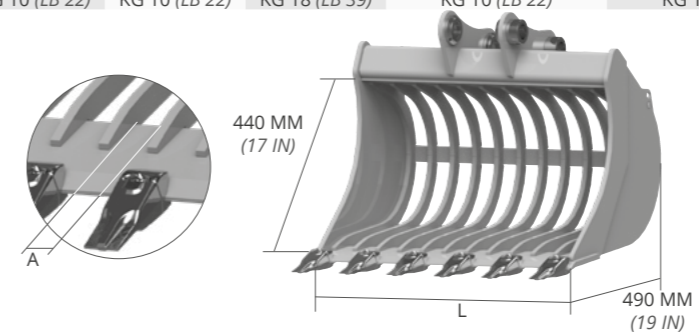
### OPTIONAL

2

HB500 WELDED ADDITIONAL CUTTING EDGE

L MM (IN)	A MM (IN)	WEIGHT KG* (LB*)	CAP. SAE L (GAL)	TEETH N°	ADAPTERS
500 (20)	54 (2,1)	31 (68)	49 (12,9)	4	AF - AR - CS CR - CM CW - CS JANUS PRO
600 (24)	51 (2,0)	35 (77)	61 (16,1)	4	AF - AR - CS CR - CM CW - CS JANUS PRO
700 (28)	55 (2,2)	42 (93)	74 (19,5)	5	AF - AR - CS CR - CM CW - CS JANUS PRO

## VE45 MACHINE WEIGHT 1,8 - 2,5 t (3968 - 5512 lb)



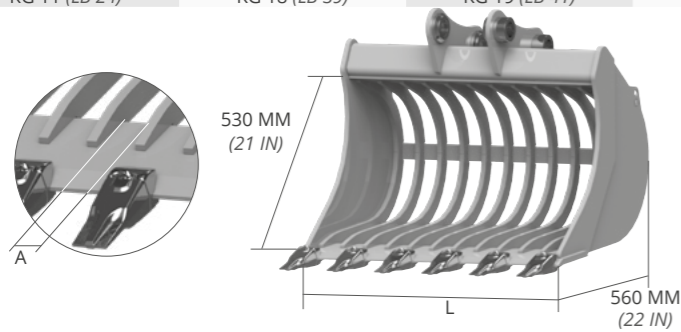
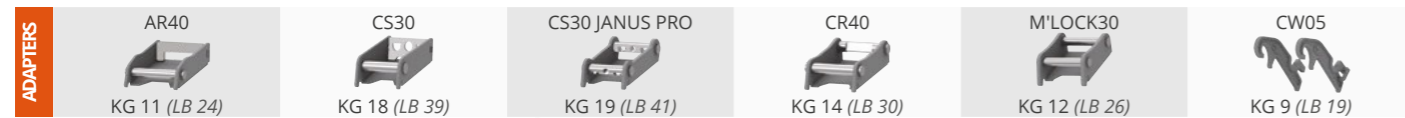
### OPTIONAL

2

HB500 WELDED ADDITIONAL CUTTING EDGE

L MM (IN)	A MM (IN)	WEIGHT KG* (LB*)	CAP. SAE L (GAL)	TEETH N°	ADAPTERS
600 (24)	55 (2,2)	51 (112)	79 (20,9)	4	AF - AR - CS CR - CM CW - CS JANUS PRO
700 (28)	59 (2,3)	57 (126)	95 (25,1)	5	AF - AR - CS CR - CM CW - CS JANUS PRO
800 (31)	55 (2,2)	64 (141)	111 (29,3)	5	AF - AR - CS CR - CM CW - CS JANUS PRO

## VE53 MACHINE WEIGHT 2,5 - 4,0 t (5512 - 8818 lb)



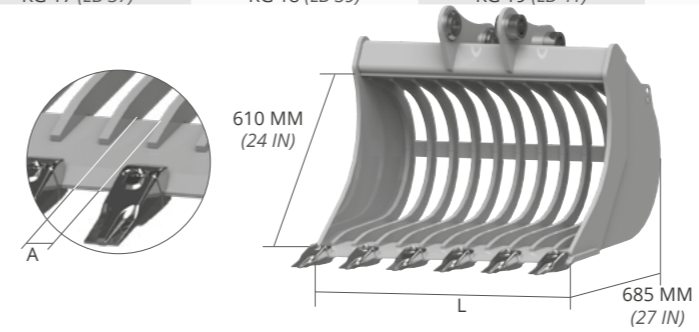
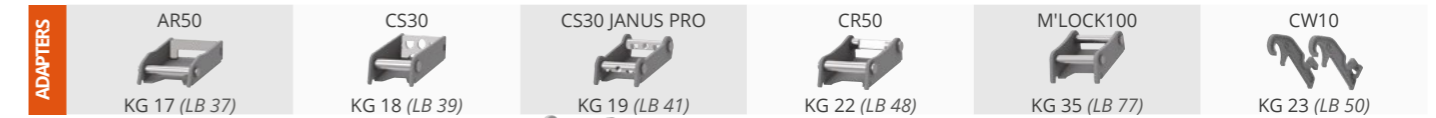
### OPTIONAL

2

HB500 WELDED ADDITIONAL CUTTING EDGE

L MM (IN)	A MM (IN)	WEIGHT KG* (LB*)	CAP. SAE L (GAL)	TEETH N°	ADAPTERS
700 (28)	59 (2,3)	80 (176)	142 (37,5)	5	AF - AR - CS CR - CM CW - CS JANUS PRO
800 (31)	55 (2,2)	91 (201)	166 (43,9)	5	AF - AR - CS CR - CM CW - CS JANUS PRO
900 (35)	58 (2,3)	100 (220)	190 (50,2)	5	AF - AR - CS CR - CM CW - CS JANUS PRO

## VE62 MACHINE WEIGHT 4,0 - 5,0 t (8818 - 11023 lb)



### OPTIONAL

2

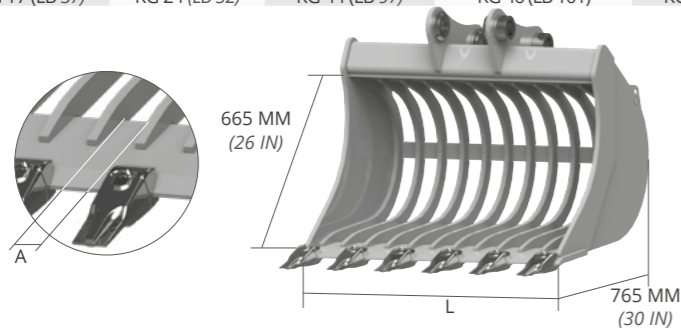
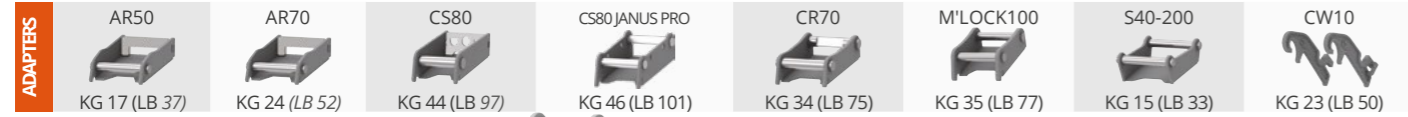
HB500 WELDED ADDITIONAL CUTTING EDGE

L MM (IN)	A MM (IN)	WEIGHT KG* (LB*)	CAP. SAE L (GAL)	TEETH N°	ADAPTERS
800 (31)	66 (2,6)	126 (278)	226 (59,7)	5	AF - AR - CS CR - CM CW - CS JANUS PRO
900 (35)	61 (2,4)	142 (313)	259 (68,4)	6	AF - AR - CS CR - CM CW - CS JANUS PRO
1000 (39)	63 (2,5)	153 (337)	292 (77,1)	6	AF - AR - CS CR - CM CW - CS JANUS PRO

\* weight of the tank excluding attachment

\* weight of the tank excluding attachment

## VE67 MACHINE WEIGHT 5,0 - 7,5 t (11023 - 16535 lb)

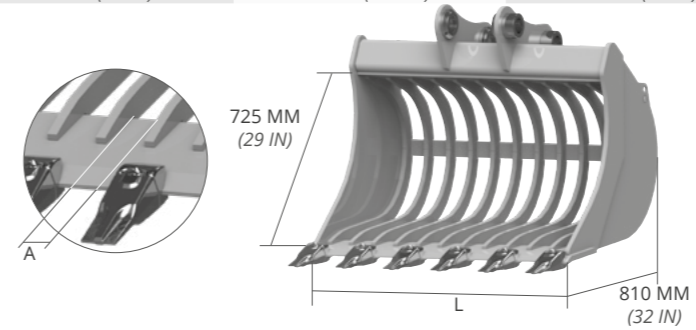


L MM (IN)	A MM (IN)	WEIGHT KG* (LB*)	SAE L (GAL)	TEETH N°	ADAPTERS
800 (31)	66 (2,6)	166 (366)	258 (68,2)	5	AF - AR - CS CR - CM CW - CS JANUS PRO
900 (35)	61 (2,4)	187 (412)	296 (78,2)	6	AF - AR - CS CR - CM CW - CS JANUS PRO
1000 (39)	63 (2,5)	202 (445)	335 (88,5)	6	AF - AR - CS CR - CM CW - CS JANUS PRO

### OPTIONAL

2  
HB500 WELDED ADDITIONAL CUTTING EDGE

## VE73 MACHINE WEIGHT 7,5 - 10,0 t (16535 - 22046 lb)

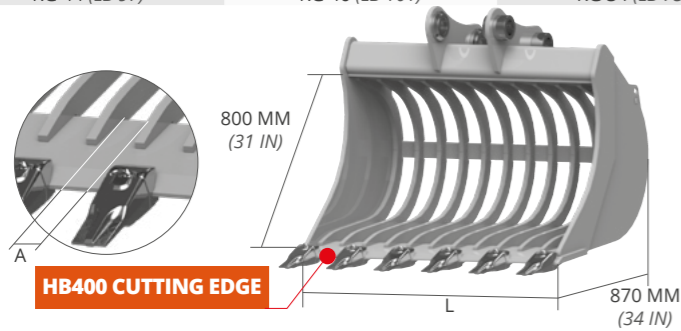


L MM (IN)	A MM (IN)	WEIGHT KG* (LB*)	SAE L (GAL)	TEETH N°	ADAPTERS
800 (31)	74 (2,9)	192 (423)	296 (78,2)	5	AF - CS CR - CM CW - CS JANUS PRO
900 (35)	67 (2,6)	216 (476)	340 (89,8)	5	AF - CS CR - CM CW - CS JANUS PRO
1000 (39)	69 (2,7)	234 (516)	384 (101,4)	5	AF - CS CR - CM CW - CS JANUS PRO

### OPTIONAL

2  
HB500 WELDED ADDITIONAL CUTTING EDGE

## VE80 MACHINE WEIGHT 10,0 - 12,0 t (22046 - 26455 lb)

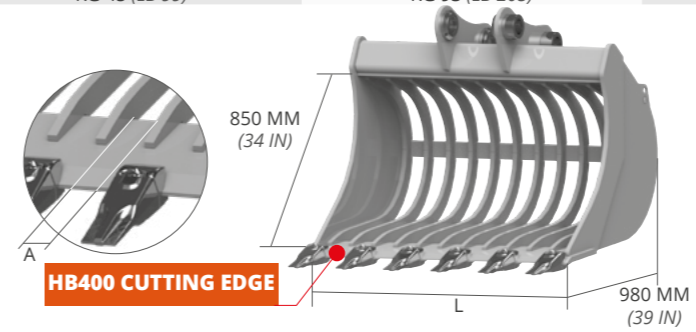


L MM (IN)	A MM (IN)	WEIGHT KG* (LB*)	SAE L (GAL)	TEETH N°	ADAPTERS
900 (35)	74 (2,9)	252 (556)	410 (108,3)	5	AF - CS CR - CM - CS JANUS PRO CW
1000 (39)	67 (2,6)	273 (602)	479 (126,5)	5	AF - CS CR - CM - CS JANUS PRO CW
1100 (43)	69 (2,7)	302 (666)	555 (146,6)	5	AF - CS CR - CM - CS JANUS PRO CW

### OPTIONAL

2  
HB500 WELDED ADDITIONAL CUTTING EDGE

## VE85 MIDI MACHINE WEIGHT 12,0 - 14,0 t (26455 - 30865 lb)



L MM (IN)	A MM (IN)	WEIGHT KG* (LB*)	SAE L (GAL)	TEETH N°	ADAPTERS
900 (35)	80 (3,1)	335 (736)	510 (134,7)	5	AF - CM CS - CW CS JANUS PRO
1000 (39)	80 (3,1)	363 (800)	584 (154,3)	5	AF - CM CS - CW CS JANUS PRO
1100 (43)	80 (3,1)	390 (860)	657 (173,6)	5	AF - CM CS - CW CS JANUS PRO
1200 (47)	80 (3,1)	418 (922)	730 (192,8)	6	AF - CM CS - CW CS JANUS PRO

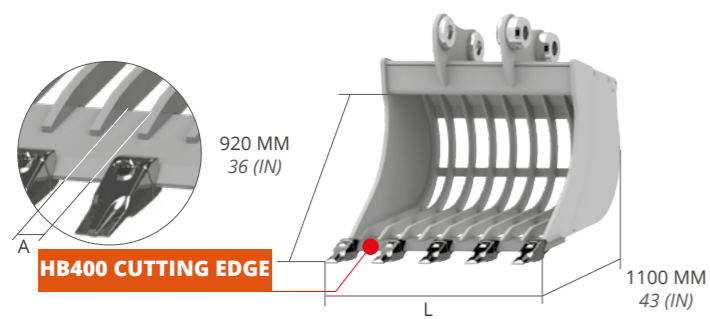
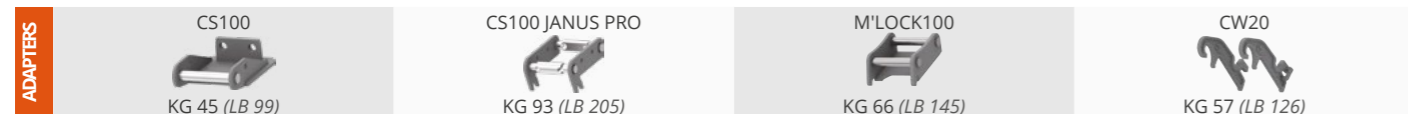
### OPTIONAL

2  
HB500 WELDED ADDITIONAL CUTTING EDGE

\* weight of the tank excluding attachment

\* weight of the tank excluding attachment

## VE92 GD EXCAVATOR MACHINE WEIGHT 12,0 - 14,0 t (26455 - 30865 lb)

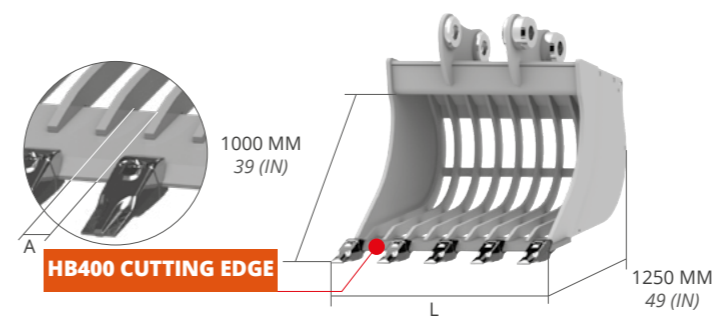
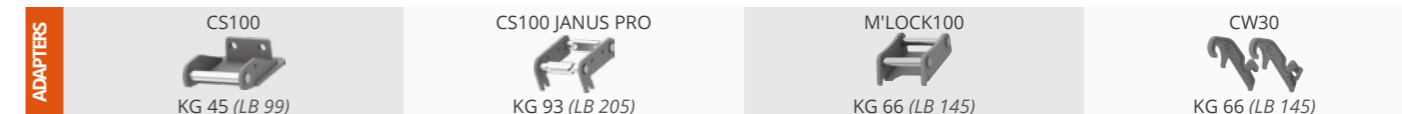


L MM (IN)	A MM (IN)	WEIGHT KG* (LB*)	CAP. SAE L (GAL)	TEETH N°	ADAPTERS
1200 (47)	80 (3,1)	431 (950)	783 (206,8)	5	AF - CM
					CS - CW
					CS JANUS PRO
1300 (51)	80 (3,1)	453 (998)	878 (231,9)	6	AF - CM
					CS - CW
					CS JANUS PRO
1400 (55)	80 (3,1)	475 (1047)	973 (257,0)	6	AF - CM
					CS - CW
					CS JANUS PRO

### OPTIONAL

2  
HB500 WELDED ADDITIONAL CUTTING EDGE

## VE100 GD MACHINE WEIGHT 14,0 - 18,0 t (30865 - 39683 lb)

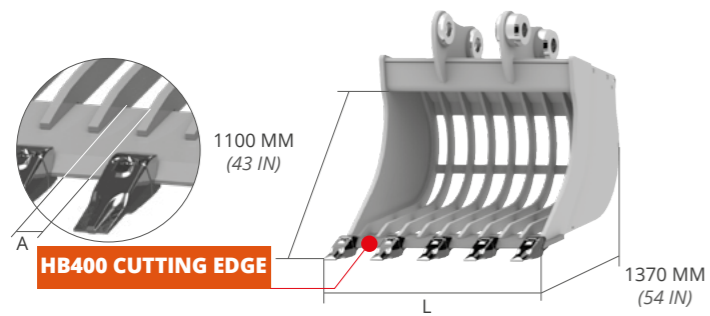
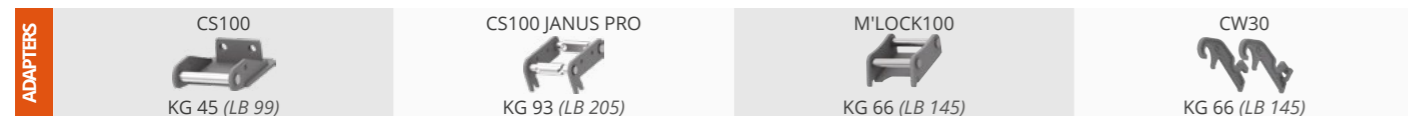


L MM (IN)	A MM (IN)	WEIGHT KG* (LB*)	CAP. SAE L (GAL)	TEETH N°	ADAPTERS
1200 (47)	100 (3,9)	587 (1294)	909 (240,1)	5	AF - CM
					CS - CW
					CS JANUS PRO
1300 (51)	100 (3,9)	632 (1393)	1004 (265,2)	6	AF - CM
					CS - CW
					CS JANUS PRO
1400 (55)	100 (3,9)	677 (1493)	1108 (292,7)	6	AF - CM
					CS - CW
					CS JANUS PRO

### OPTIONAL

2  
HB500 WELDED ADDITIONAL CUTTING EDGE

## VE110 GD MACHINE WEIGHT 18,0 - 22,0 t (39683 - 48502 lb)



L MM (IN)	A MM (IN)	WEIGHT KG* (LB*)	CAP. SAE L (GAL)	TEETH N°	ADAPTERS
1200 (47)	100 (3,9)	691 (1523)	1064 (281,1)	5	AF - CM
					CS - CW
					CS JANUS PRO
1300 (51)	100 (3,9)	741 (1634)	1173 (309,9)	6	AF - CM
					CS - CW
					CS JANUS PRO
1400 (55)	100 (3,9)	791 (1744)	1288 (340,3)	6	AF - CM
					CS - CW
					CS JANUS PRO

### OPTIONAL

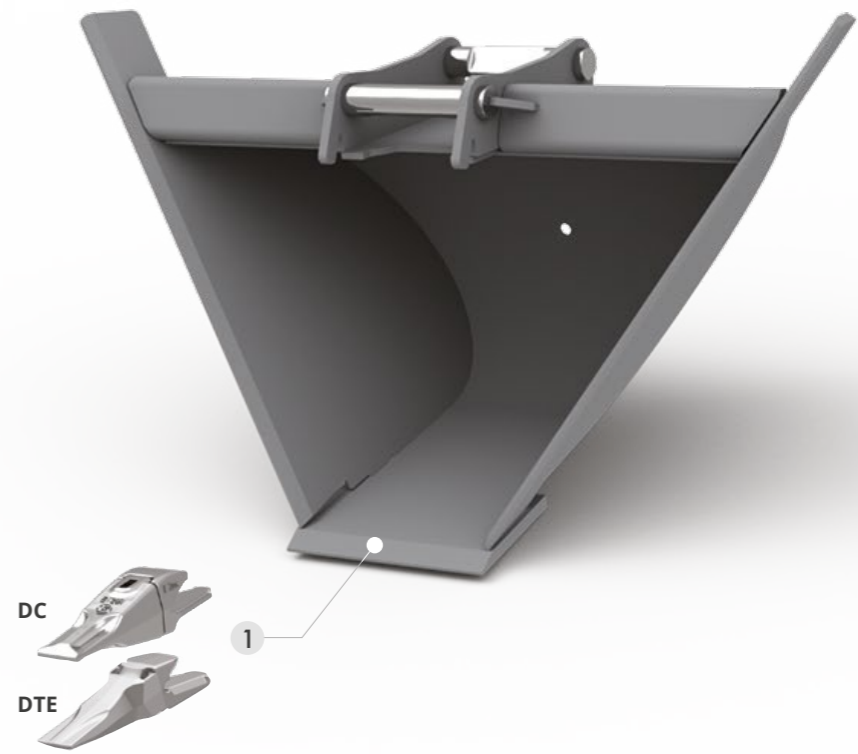
2  
HB500 WELDED ADDITIONAL CUTTING EDGE

\* weight of the tank excluding attachment

\* weight of the tank excluding attachment



ITS TRAPEZOIDAL SHAPE AND SIDE TILTING ANGLES (52°-60°) ENABLE THE REALIZATION AND MAINTENANCE OF DITCHES AND DRAINS OF DIFFERENT SIZES AND ANGLES.

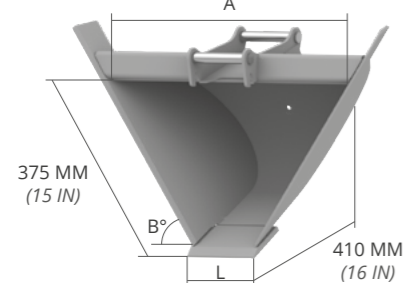


**OPTIONAL**

- 1 DC TEETH DTE TEETH

MOD.	MIDI							EXCAVATOR			
	T38	T45	T53	T62	T67	T73	T80	T85 GD	T92 GD	T100 GD	T110 GD
TONS (LB)	0,6 - 1,8 (1323 - 3968)	1,8 - 2,5 (2646 - 5512)	2,5 - 4,0 (5512 - 8818)	4,0 - 5,0 (8818 - 11023)	5,0 - 7,5 (11023 - 16535)	7,5 - 10,0 (16535 - 22046)	10,0 - 12,0 (22046 - 26455)	12,0 - 14,0 (26455 - 30865)	12,0 - 14,0 (26455 - 30865)	14,0 - 18,0 (30865 - 39683)	18,0 - 22,0 (39683 - 48502)

## T38 MACHINE WEIGHT 0,6 - 1,8 t (1323 - 3968 lb)

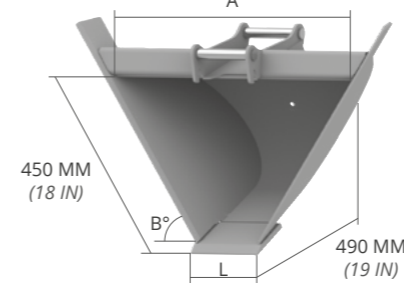
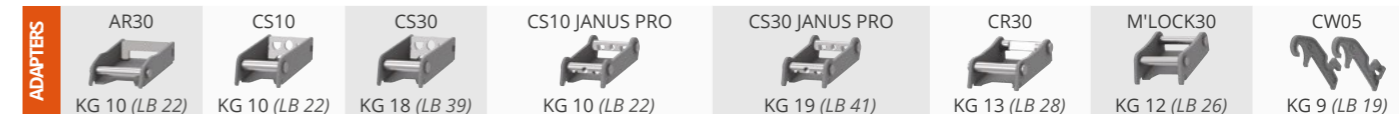


L MM (IN)	A MM (IN)	B°	WEIGHT KG* (LB*)	CAP. SAE L (GAL)	ADAPTERS
200 (8)	607 (23,9)	52°	27 (60)	47 (12,4)	AF - AR - CS
					CR - CM
					CW - CS JANUS PRO
200 (8)	490 (19,3)	60°	24 (53)	37 (9,8)	AF - AR - CS
					CR - CM
					CW - CS JANUS PRO

### OPTIONAL



## T45 MACHINE WEIGHT 1,8 - 2,5 t (3968 - 5512 lb)

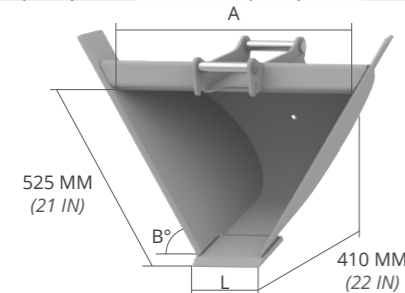
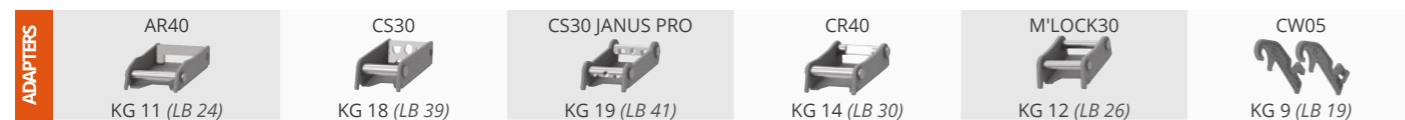


L MM (IN)	A MM (IN)	B°	WEIGHT KG* (LB*)	CAP. SAE L (GAL)	ADAPTERS
250 (10)	741 (29,2)	52°	45 (99)	77 (22,3)	AF - AR - CS
					CR - CM
					CW - CS JANUS PRO
250 (10)	600 (23,6)	60°	40 (88)	63 (16,6)	AF - AR - CS
					CR - CM
					CW - CS JANUS PRO

### OPTIONAL



## T53 MACHINE WEIGHT 2,5 - 4,0 t (5512 - 8818 lb)

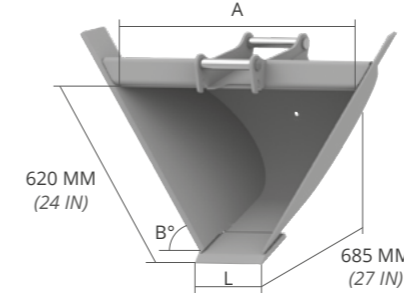


L MM (IN)	A MM (IN)	B°	WEIGHT KG* (LB*)	CAP. SAE L (GAL)	ADAPTERS
300 (12)	868 (34,2)	52°	69 (152)	140 (37,0)	AF - AR - CS
					CR - CM
					CW - CS JANUS PRO
300 (12)	705 (27,8)	60°	61 (134)	114 (30,1)	AF - AR - CS
					CR - CM
					CW - CS JANUS PRO

### OPTIONAL



## T62 MACHINE WEIGHT 4,0 - 5,0 t (8818 - 11023 lb)



L MM (IN)	A MM (IN)	B°	WEIGHT KG* (LB*)	CAP. SAE L (GAL)	ADAPTERS
300 (12)	985 (38,8)	52°	101 (223)	190 (50,2)	AF - AR - CS
					CR - CM
					CW - CS JANUS PRO
300 (12)	790 (31,1)	60°	88 (194)	153 (40,4)	AF - AR - CS
					CR - CM
					CW - CS JANUS PRO

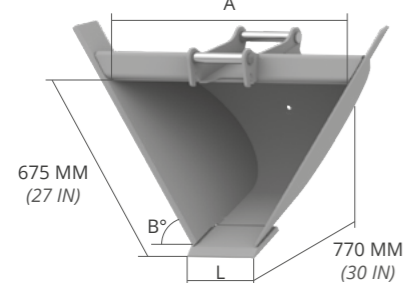
### OPTIONAL



\* weight of the tank excluding attachment

\* weight of the tank excluding attachment

## T67 MACHINE WEIGHT 5,0 - 7,5 t (11023 - 16535 lb)

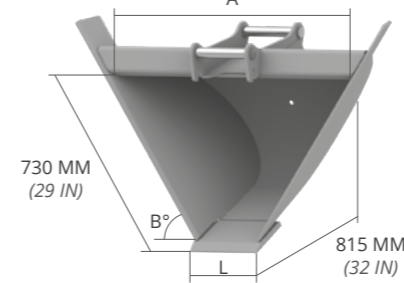


L MM (IN)	A MM (IN)	B°	WEIGHT KG* (LB*)	CAP. SAE L (GAL)	ADAPTERS
350 (14)	1087 (42,8)	52°	144 (317)	239 (63,1)	AF - AR - CS
					CR - CM
					CW - CS JANUS PRO
350 (14)	876 (34,5)	60°	126 (278)	191 (50,5)	AF - AR - CS
					CR - CM
					CW - CS JANUS PRO

### OPTIONAL



## T73 MACHINE WEIGHT 7,5 - 10,0 t (16535 - 22046 lb)

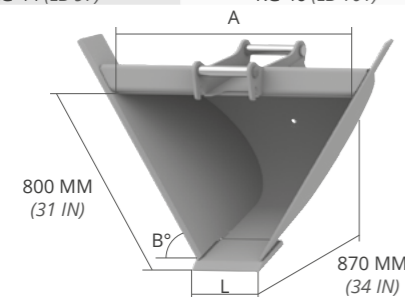


L MM (IN)	A MM (IN)	B°	WEIGHT KG* (LB*)	CAP. SAE L (GAL)	ADAPTERS
350 (14)	1157 (45,6)	52°	166 (366)	318 (84,0)	AF - CS
					CR - CM
					CW - CS JANUS PRO
350 (14)	928 (36,5)	60°	146 (322)	254 (67,1)	AF - CS
					CR - CM
					CW - CS JANUS PRO

### OPTIONAL



## T80 MACHINE WEIGHT 10,0 - 12,0 t (22046 - 26455 lb)

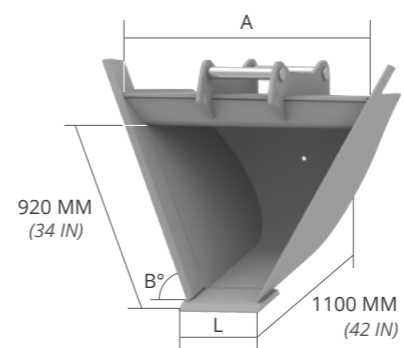
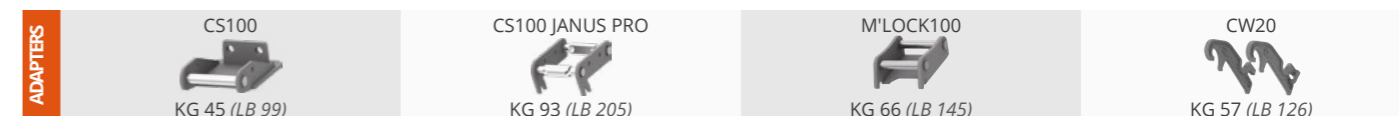


L MM (IN)	A MM (IN)	B°	WEIGHT KG* (LB*)	CAP. SAE L (GAL)	ADAPTERS
350 (14)	1236 (48,7)	52°	207 (456)	355 (93,8)	AF - CS
					CR - CM - CS JANUS PRO
					CW
350 (14)	985 (38,8)	60°	184 (406)	281 (74,2)	AF - CS
					CR - CM - CS JANUS PRO
					CW

### OPTIONAL



## T85 GD MIDI MACHINE WEIGHT 12,0 - 14,0 t (26455 - 30865 lb)



L MM (IN)	A MM (IN)	B°	WEIGHT KG* (LB*)	CAP. SAE L (GAL)	ADAPTERS
350 (14)	1420 (56)	52°	320 (705)	430 (113,6)	AF - CM
					CS - CW
					CS JANUS PRO
350 (14)	1120 (44)	60°	275 (606)	370 (97,7)	AF - CM
					CS - CW
					CS JANUS PRO

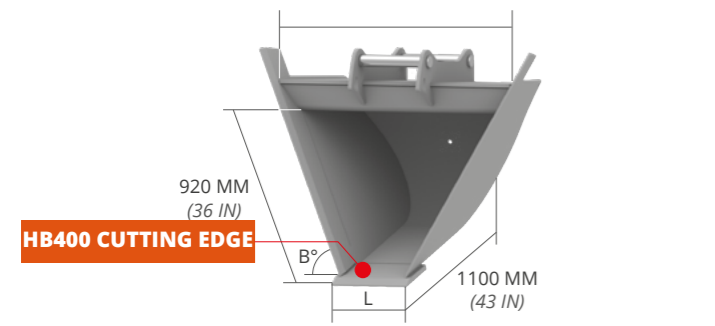
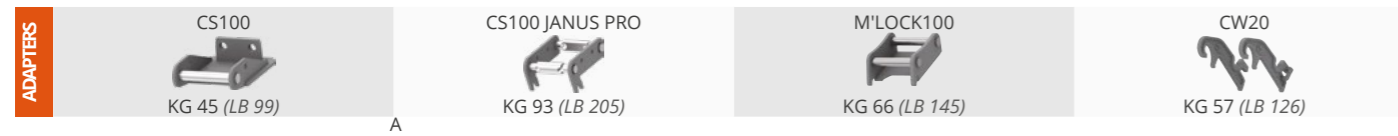
### OPTIONAL



\* weight of the tank excluding attachment

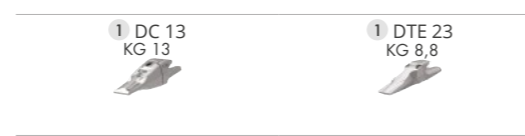
\* weight of the tank excluding attachment

## T92 GD EXCAVATOR MACHINE WEIGHT 12,0 - 14,0 t (26455 - 30865 lb)

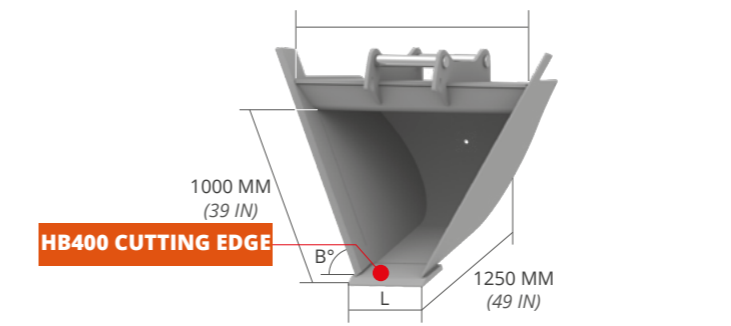
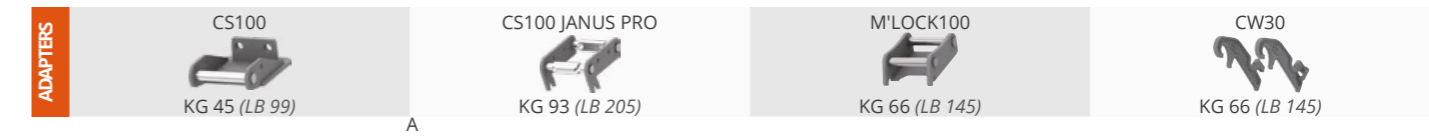


L MM (IN)	A MM (IN)	B°	WEIGHT KG* (LB*)	CAP. SAE L (GAL)	ADAPTERS
400 (16)	1550 (48)	52°	400 (882)	540 (142,7)	AF - CM
					CS - CW
					CS JANUS PRO
400 (16)	1230 (48)	60°	340 (750)	470 (124,2)	AF - CM
					CS - CW
					CS JANUS PRO

### OPTIONAL

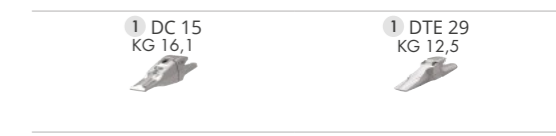


## T100 GD MACHINE WEIGHT 14,0 - 18,0 t (30865 - 39683 lb)

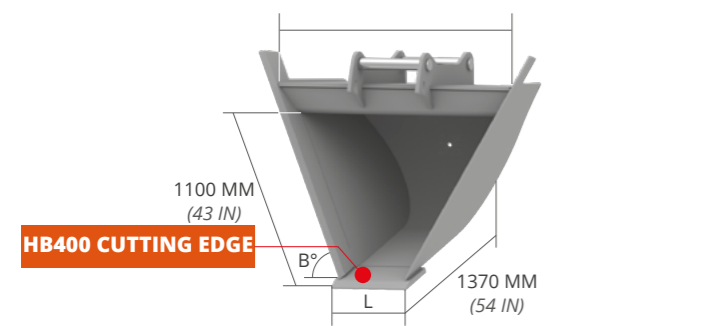
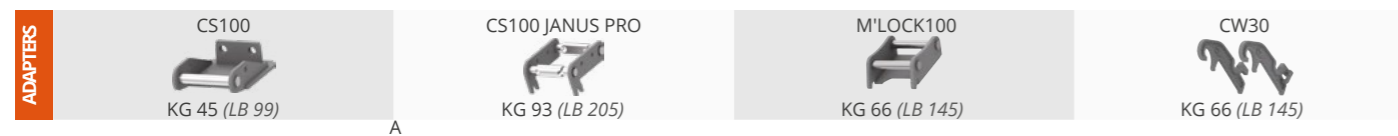


L MM (IN)	A MM (IN)	B°	WEIGHT KG* (LB*)	CAP. SAE L (GAL)	ADAPTERS
400 (16)	1680 (66)	52°	530 (1168)	680 (179,6)	AF - CM
					CS - CW
					CS JANUS PRO
400 (16)	1320 (52)	60°	455 (1003)	585 (154,5)	AF - CM
					CS - CW
					CS JANUS PRO

### OPTIONAL

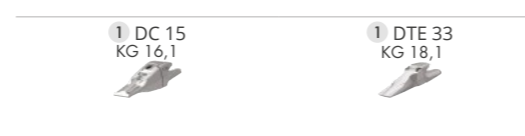


## T110 GD MACHINE WEIGHT 18,0 - 22,0 t (39683 - 48502 lb)



L MM (IN)	A MM (IN)	B°	WEIGHT KG* (LB*)	CAP. SAE L (GAL)	ADAPTERS
400 (16)	1820 (72)	52°	660 (1455)	870 (229,8)	AF - CM
					CS - CW
					CS JANUS PRO
400 (16)	1100 (43)	60°	565 (1246)	740 (195,5)	AF - CM
					CS - CW
					CS JANUS PRO

### OPTIONAL



\* weight of the tank excluding attachment

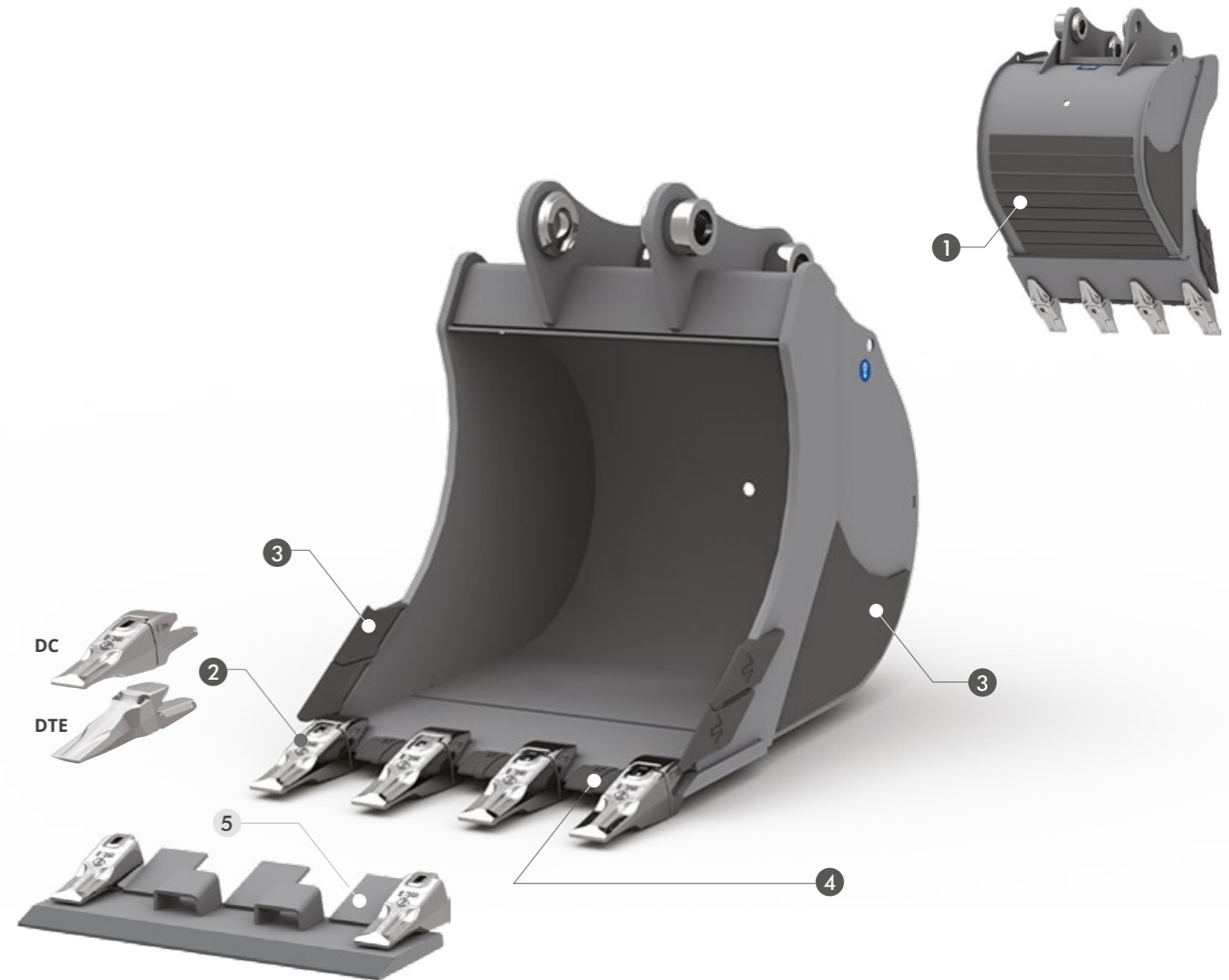
\* weight of the tank excluding attachment



ADAPTERS



HB400



ITS PROFILE HAS BEEN DESIGNED TO HELP THE TOOL TO PENETRATE MOSTLY ROCKY GROUNDS. SUPPLIED WITH HB400 SIDE REINFORCEMENTS, STRIPS, CUTTERS AND BLADE GUARDS TO GUARANTEE HIGH RESISTANCE TO WEAR.

**STANDARD TECHNICAL FEATURES**

- 1 REINFORCING STRIPS HB400**  
THE HORIZONTAL REINFORCING STRIPS ON THE BUCKET'S REAR AND BOTTOM PROTECT THE BUCKET FROM WEAR AND INCREASE ITS RESISTANCE.
- 2 DC TEETH DTE TEETH**
- 3 HB400 SIDE CAST CUTTERS AND REINFORCEMENTS**  
THESE HB400 CAST CUTTERS ARE POSITIONED ON THE SURFACES MOSTLY SUBJECT TO WEAR GRANTING A HIGHER RESISTANCE.
- 4 REINFORCED CUTTING EDGE**  
UP TO 10 TONS: HB400 CAST SHROUDS MOUNTED ON PARTS SUBJECT TO WEAR.  
BEYOND 10 TONS: HB400 CUTTING EDGE.

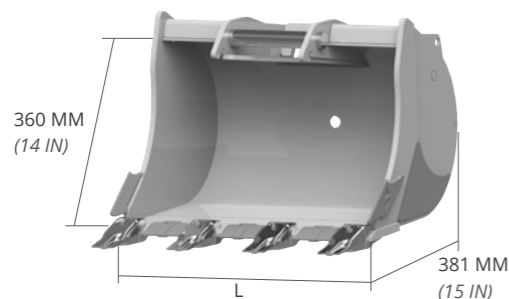
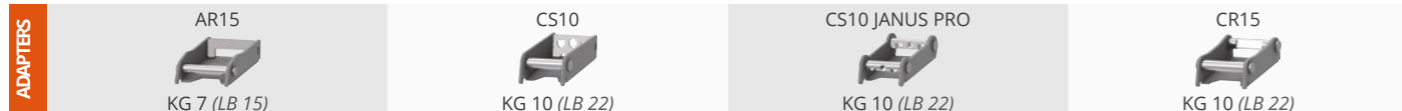
**OPTIONAL**

- 5 GRADING EDGE**  
INSTALLED DIRECTLY ON THE ADAPTERS OF THE WELDED TEETH. THIS PATTERN MAKES THE INSTALLING/UNINSTALLING OPERATIONS EASIER AND GRANTS A HIGH RESISTANCE TO THE BUCKET. IN CASE OF ORDER AS A SPARE PART, THE BLADE WILL BE SUPPLIED UNASSEMBLED.

MOD.	MIDI EXCAVATOR											
	SCR36	SCR38	SCR45	SCR53	SCR62	SCR67	SCR73	SCR80	SCR85	SCR92 HD	SCR100 HD	SCR110 HD
TONS (LB)	1,2 - 1,8 (2646 - 3968)	1,2 - 1,8 (2646 - 3968)	1,8 - 2,5 (3968 - 5512)	2,5 - 4,0 (5512 - 8818)	4,0 - 5,0 (8818 - 11023)	5,0 - 7,5 (11023 - 16535)	7,5 - 10,0 (16535 - 22046)	10,0 - 12,0 (22046 - 26455)	12,0 - 14,0 (26455 - 30865)	12,0 - 14,0 (26455 - 30865)	14,0 - 18,0 (30865 - 39683)	18,0 - 22,0 (39683 - 48502)



# SCR36 MACHINE WEIGHT 1,2 - 1,8 t (2646 - 3968 lb)

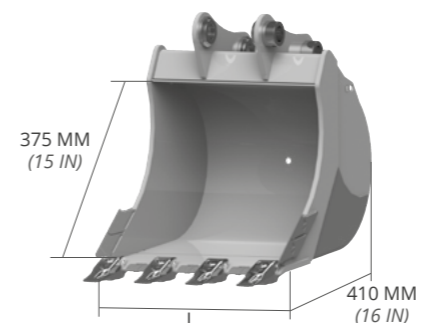
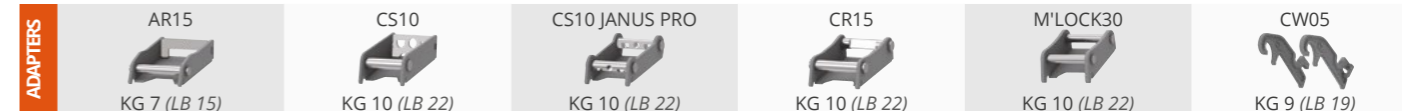


L MM (IN)	WEIGHT KG* (LB*)	CAP. SAE L (GAL)	TEETH N.	ADAPTERS
200 (8)	17 (38)	15 (4,0)	2	AR - CS
				CR
				CS JANUS PRO
250 (10)	19 (43)	20 (5,3)	DF2 DC3 DE3	AR - CS
				CR
				CS JANUS PRO
300 (12)	22 (48)	25 (6,6)	3	AR - CS
				CR
				CS JANUS PRO
350 (14)	24 (52)	31 (8,2)	3	AR - CS
				CR
				CS JANUS PRO
400 (16)	28 (61)	37 (9,8)	3	AR - CS
				CR
				CS JANUS PRO
450 (18)	31 (68)	43 (11,4)	3	AR - CS
				CR
				CS JANUS PRO
500 (20)	35 (76)	49 (12,4)	4	AR - CS
				CR
				CS JANUS PRO
600 (24)	39 (86)	61 (16,1)	4	AR - CS
				CR
				CS JANUS PRO
700 (28)	44 (98)	74 (19,5)	5	AR - CS
				CR
				CS JANUS PRO

## OPTIONAL

SUPPLEMENTARY BLADE	5
------------------------	---

# SCR38 MACHINE WEIGHT 1,2 - 1,8 t (2646 - 3968 lb)



L MM (IN)	WEIGHT KG* (LB*)	CAP. SAE L (GAL)	TEETH N.	ADAPTERS
200 (8)	17 (38)	15 (4,0)	2	AF - AR - CS
				CR - CM
				CW - CS JANUS PRO
250 (10)	19 (43)	20 (5,3)	DF2 DC3 DE3	AF - AR - CS
				CR - CM
				CW - CS JANUS PRO
300 (12)	22 (48)	25 (6,6)	3	AF - AR - CS
				CR - CM
				CW - CS JANUS PRO
350 (14)	24 (52)	31 (8,2)	3	AF - AR - CS
				CR - CM
				CW - CS JANUS PRO
400 (16)	28 (61)	37 (9,8)	3	AF - AR - CS
				CR - CM
				CW - CS JANUS PRO
450 (18)	31 (68)	43 (11,4)	3	AF - AR - CS
				CR - CM
				CW - CS JANUS PRO
500 (20)	35 (76)	49 (12,4)	4	AF - AR - CS
				CR - CM
				CW - CS JANUS PRO
600 (24)	39 (86)	61 (16,1)	4	AF - AR - CS
				CR - CM
				CW - CS JANUS PRO
700 (28)	44 (98)	74 (19,5)	5	AF - AR - CS
				CR - CM
				CW - CS JANUS PRO

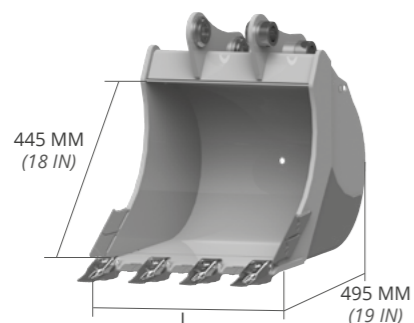
## OPTIONAL

SUPPLEMENTARY BLADE	5
------------------------	---

\* weight of the tank excluding attachment

\* weight of the tank excluding attachment

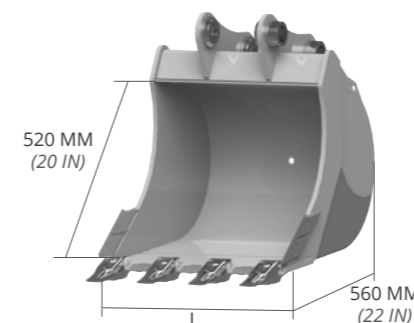
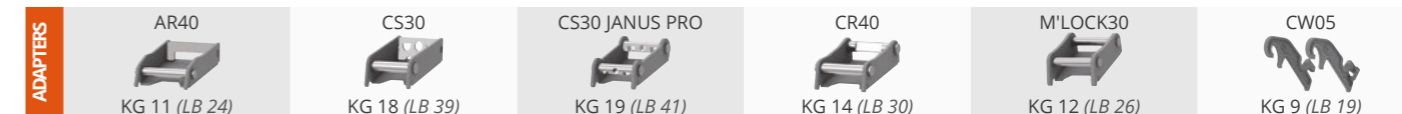
## SCR45 MACHINE WEIGHT 1,8 - 2,5 t (3968 - 5512 lb)



L MM (IN)	WEIGHT KG* (LB*)	CAP. SAE L (GAL)	TEETH N.	ADAPTERS
250 (10)	26 (57)	25 (6,6)	DF2 DC3 DE3	AF - AR - CS
				CR - CM
				CW - CS JANUS PRO
300 (12)	29 (64)	33 (8,7)	3	AF - AR - CS
				CR - CM
				CW - CS JANUS PRO
350 (14)	32 (80)	40 (10,6)	3	AF - AR - CS
				CR - CM
				CW - CS JANUS PRO
400 (16)	36 (80)	48 (12,7)	3	AF - AR - CS
				CR - CM
				CW - CS JANUS PRO
450 (18)	39 (87)	56 (14,8)	3	AF - AR - CS
				CR - CM
				CW - CS JANUS PRO
500 (20)	43 (95)	65 (17,2)	4	AF - AR - CS
				CR - CM
				CW - CS JANUS PRO
600 (24)	50 (109)	82 (21,7)	4	AF - AR - CS
				CR - CM
				CW - CS JANUS PRO
700 (28)	56 (123)	100 (26,4)	5	AF - AR - CS
				CR - CM
				CW - CS JANUS PRO
800 (31)	65 (142)	117 (30,9)	5	AF - AR - CS
				CR - CM
				CW - CS JANUS PRO

\* weight of the tank excluding attachment

## SCR53 MACHINE WEIGHT 2,5 - 4,0 t (5512 - 8818 lb)



L MM (IN)	WEIGHT KG* (LB*)	CAP. SAE L (GAL)	TEETH N.	ADAPTERS
250 (10)	37 (82)	32 (8,5)	2	AF - AR - CS
				CR - CM
				CW - CS JANUS PRO
300 (12)	40 (89)	41 (10,8)	3	AF - AR - CS
				CR - CM
				CW - CS JANUS PRO
350 (14)	46 (101)	51 (13,5)	3	AF - AR - CS
				CR - CM
				CW - CS JANUS PRO
400 (16)	51 (111)	61 (16,1)	3	AF - AR - CS
				CR - CM
				CW - CS JANUS PRO
450 (18)	55 (121)	72 (19,0)	3	AF - AR - CS
				CR - CM
				CW - CS JANUS PRO
500 (20)	59 (129)	82 (21,7)	4	AF - AR - CS
				CR - CM
				CW - CS JANUS PRO
600 (24)	67 (148)	105 (27,7)	4	AF - AR - CS
				CR - CM
				CW - CS JANUS PRO
700 (28)	76 (167)	127 (33,5)	5	AF - AR - CS
				CR - CM
				CW - CS JANUS PRO
800 (31)	85 (187)	152 (40,2)	5	AF - AR - CS
				CR - CM
				CW - CS JANUS PRO
900 (35)	93 (206)	175 (46,2)	5	AF - AR - CS
				CR - CM
				CW - CS JANUS PRO

\* weight of the tank excluding attachment

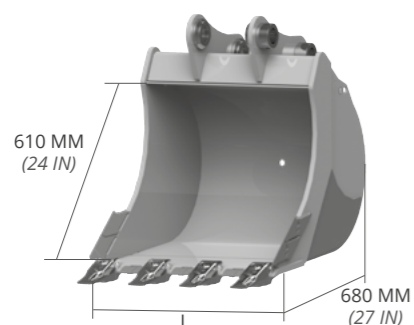
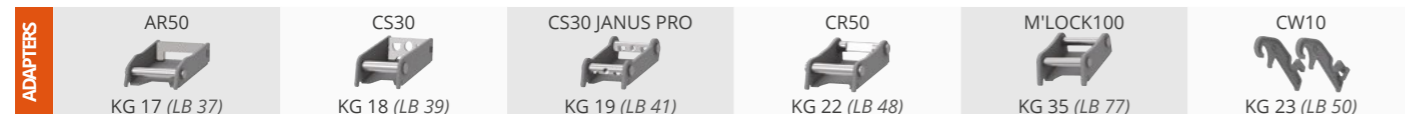
**OPTIONAL**

SUPPLEMENTARY BLADE 5

**OPTIONAL**

SUPPLEMENTARY BLADE 5

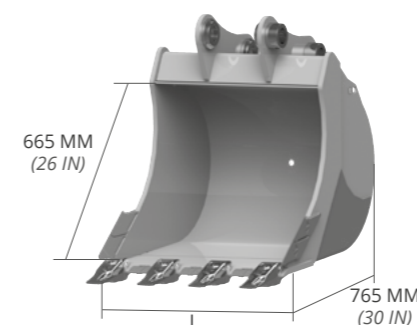
## SCR62 MACHINE WEIGHT 4,0 - 5,0 t (8818 - 11023 lb)



L MM (IN)	WEIGHT KG* (LB*)	CAP. SAE L (GAL)	TEETH N.	ADAPTERS
250 (10)	57 (126)	45 (11,9)	2	AF - AR - CS
				CR - CM
				CW - CS JANUS PRO
300 (12)	63 (138)	58 (15,3)	3	AF - AR - CS
				CR - CM
				CW - CS JANUS PRO
350 (14)	68 (150)	71 (18,8)	3	AF - AR - CS
				CR - CM
				CW - CS JANUS PRO
400 (16)	74 (163)	85 (22,5)	3	AF - AR - CS
				CR - CM
				CW - CS JANUS PRO
450 (18)	79 (175)	100 (26,4)	3	AF - AR - CS
				CR - CM
				CW - CS JANUS PRO
500 (20)	86 (188)	115 (30,4)	4	AF - AR - CS
				CR - CM
				CW - CS JANUS PRO
600 (24)	97 (215)	147 (38,8)	4	AF - AR - CS
				CR - CM
				CW - CS JANUS PRO
700 (28)	109 (241)	180 (47,6)	5	AF - AR - CS
				CR - CM
				CW - CS JANUS PRO
800 (31)	121 (267)	213 (56,3)	5	AF - AR - CS
				CR - CM
				CW - CS JANUS PRO
900 (35)	133 (293)	248 (65,5)	6	AF - AR - CS
				CR - CM
				CW - CS JANUS PRO
1000 (39)	145 (319)	282 (74,5)	6	AF - AR - CS
				CR - CM
				CW - CS JANUS PRO

\* weight of the tank excluding attachment

## SCR67 MACHINE WEIGHT 5,0 - 7,5 t (11023 - 16535 lb)



L MM (IN)	WEIGHT KG* (LB*)	CAP. SAE L (GAL)	TEETH N.	ADAPTERS
300 (12)	83 (182)	68 (18,0)	3	AF - AR - CS
				CR - CM
				CW - CS JANUS PRO
350 (14)	92 (202)	84 (22,2)	3	AF - AR - CS
				CR - CM
				CW - CS JANUS PRO
400 (16)	101 (222)	101 (26,7)	3	AF - AR - CS
				CR - CM
				CW - CS JANUS PRO
450 (18)	109 (240)	118 (31,2)	3	AF - AR - CS
				CR - CM
				CW - CS JANUS PRO
500 (20)	117 (258)	137 (36,2)	4	AF - AR - CS
				CR - CM
				CW - CS JANUS PRO
600 (24)	134 (296)	174 (46,0)	4	AF - AR - CS
				CR - CM
				CW - CS JANUS PRO
700 (28)	150 (331)	214 (56,5)	5	AF - AR - CS
				CR - CM
				CW - CS JANUS PRO
800 (31)	167 (368)	254 (67,1)	5	AF - AR - CS
				CR - CM
				CW - CS JANUS PRO
900 (35)	183 (403)	295 (77,9)	6	AF - AR - CS
				CR - CM
				CW - CS JANUS PRO
1000 (39)	199 (438)	338 (89,3)	6	AF - AR - CS
				CR - CM
				CW - CS JANUS PRO

\* weight of the tank excluding attachment

### OPTIONAL

5

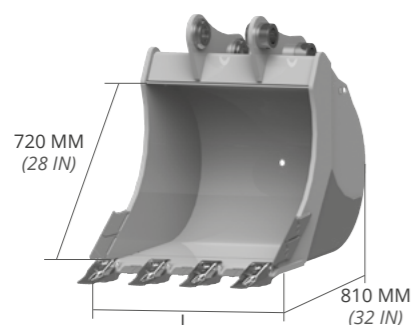
SUPPLEMENTARY  
BLADE

### OPTIONAL

5

SUPPLEMENTARY  
BLADE

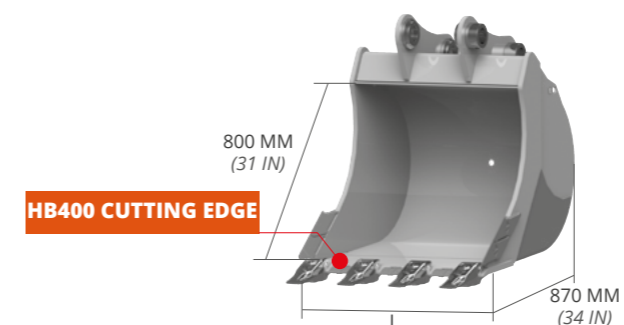
# SCR73 MACHINE WEIGHT 7,5 - 10,0 t (116535 - 22046 lb)



L MM (IN)	WEIGHT KG* (LB*)	CAP. SAE L (GAL)	TEETH N.	ADAPTERS
300 (12)	95 (210)	76 (20,1)	2	AF - CS
				CR - CM
				CW - CS JANUS PRO
350 (14)	103 (228)	94 (24,8)	3	AF - CS
				CR - CM
				CW - CS JANUS PRO
400 (16)	110 (243)	113 (29,9)	3	AF - CS
				CR - CM
				CW - CS JANUS PRO
450 (18)	120 (265)	133 (35,1)	3	AF - CS
				CR - CM
				CW - CS JANUS PRO
500 (20)	130 (286)	153 (40,4)	3	AF - CS
				CR - CM
				CW - CS JANUS PRO
600 (24)	148 (326)	196 (51,8)	4	AF - CS
				CR - CM
				CW - CS JANUS PRO
700 (28)	166 (366)	240 (63,4)	4	AF - CS
				CR - CM
				CW - CS JANUS PRO
800 (31)	184 (406)	286 (75,6)	5	AF - CS
				CR - CM
				CW - CS JANUS PRO
900 (35)	202 (446)	333 (88,0)	5	AF - CS
				CR - CM
				CW - CS JANUS PRO
1000 (39)	220 (486)	379 (100,1)	5	AF - CS
				CR - CM
				CW - CS JANUS PRO
1100 (43)	238 (525)	430 (113,6)	5	AF - CS
				CR - CM
				CW - CS JANUS PRO

\* weight of the tank excluding attachment

# SCR80 MACHINE WEIGHT 10,0 - 12,0 t (22046 - 26455 lb)



## OPTIONAL

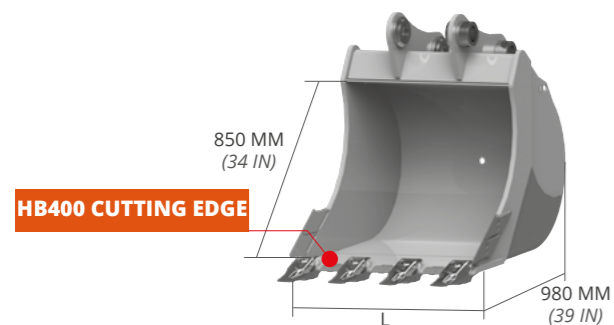
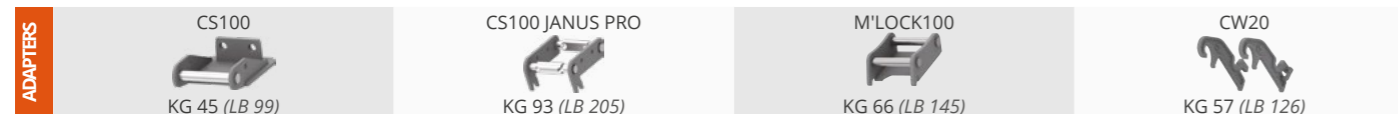
L MM (IN)	WEIGHT KG* (LB*)	CAP. SAE L (GAL)	TEETH N.	ADAPTERS
300 (12)	119 (261)	86 (22,7)	2	AF - CS
				CR - CM - CS JANUS PRO
				CW
350 (14)	128 (282)	107 (28,3)	3	AF - CS
				CR - CM - CS JANUS PRO
				CW
400 (16)	141 (311)	129 (34,1)	3	AF - CS
				CR - CM - CS JANUS PRO
				CW
450 (18)	151 (333)	151 (39,9)	3	AF - CS
				CR - CM - CS JANUS PRO
				CW
500 (20)	162 (357)	174 (46,0)	3	AF - CS
				CR - CM - CS JANUS PRO
				CW
600 (24)	182 (402)	222 (58,6)	4	AF - CS
				CR - CM - CS JANUS PRO
				CW
700 (28)	203 (447)	273 (72,1)	4	AF - CS
				CR - CM - CS JANUS PRO
				CW
800 (31)	222 (489)	325 (85,9)	5	AF - CS
				CR - CM - CS JANUS PRO
				CW
900 (35)	242 (534)	379 (100,1)	5	AF - CS
				CR - CM - CS JANUS PRO
				CW
1000 (39)	261 (576)	433 (114,4)	5	AF - CS
				CR - CM - CS JANUS PRO
				CW
1100 (43)	282 (621)	486 (128,4)	5	AF - CS
				CR - CM - CS JANUS PRO
				CW
1200 (47)	303 (667)	546 (144,2)	6	AF - CS
				CR - CM - CS JANUS PRO
				CW
1300 (51)	323 (712)	602 (159,0)	6	AF - CS
				CR - CM - CS JANUS PRO
				CW

\* weight of the tank excluding attachment

SUPPLEMENTARY BLADE 5

SUPPLEMENTARY BLADE 5

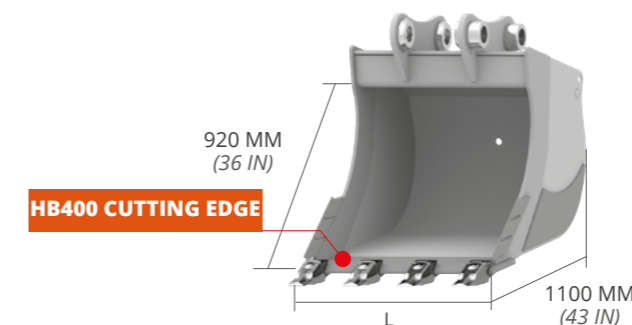
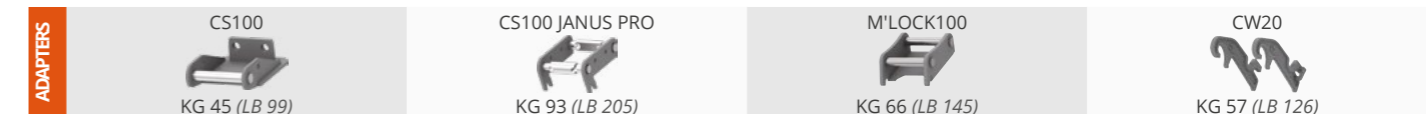
# SCR85 MIDI MACHINE WEIGHT 12,0 - 14,0 t (26455 - 30865 lb)



L MM (IN)	WEIGHT KG* (LB*)	CAP. SAE L (GAL)	TEETH N.	ADAPTERS
400 (16)	197 (435)	171 (45,2)	3	AF - CM
				CS - CW
				CS JANUS PRO
500 (20)	220 (486)	235 (62,1)	3	AF - CM
				CS - CW
				CS JANUS PRO
600 (24)	243 (536)	300 (79,3)	4	AF - CM
				CS - CW
				CS JANUS PRO
700 (28)	266 (586)	368 (97,2)	4	AF - CM
				CS - CW
				CS JANUS PRO
800 (31)	289 (638)	438 (115,7)	5	AF - CM
				CS - CW
				CS JANUS PRO
900 (35)	312 (688)	510 (134,7)	5	AF - CM
				CS - CW
				CS JANUS PRO
1000 (39)	336 (741)	584 (154,3)	5	AF - CM
				CS - CW
				CS JANUS PRO
1100 (43)	360 (793)	657 (173,6)	5	AF - CM
				CS - CW
				CS JANUS PRO
1200 (47)	384 (847)	730 (192,8)	6	AF - CM
				CS - CW
				CS JANUS PRO
1300 (51)	408 (899)	810 (214,0)	6	AF - CM
				CS - CW
				CS JANUS PRO

\* weight of the tank excluding attachment

# SCR92 HD EXCAVATOR MACHINE WEIGHT 12,0 - 14,0 t (26455 - 30865 lb)



L MM (IN)	WEIGHT KG* (LB*)	CAP. SAE L (GAL)	TEETH N.	ADAPTERS
600 (24)	261 (575)	380 (100,4)	4	AF - CM
				CS - CW
				CS JANUS PRO
700 (28)	287 (633)	450 (118,9)	4	AF - CM
				CS - CW
				CS JANUS PRO
800 (31)	320 (705)	560 (147,9)	5	AF - CM
				CS - CW
				CS JANUS PRO
900 (35)	352 (776)	620 (163,8)	5	AF - CM
				CS - CW
				CS JANUS PRO
1000 (39)	395 (871)	700 (184,9)	5	AF - CM
				CS - CW
				CS JANUS PRO
1200 (47)	454 (1001)	900 (237,7)	6	AF - CM
				CS - CW
				CS JANUS PRO

\* weight of the tank excluding attachment

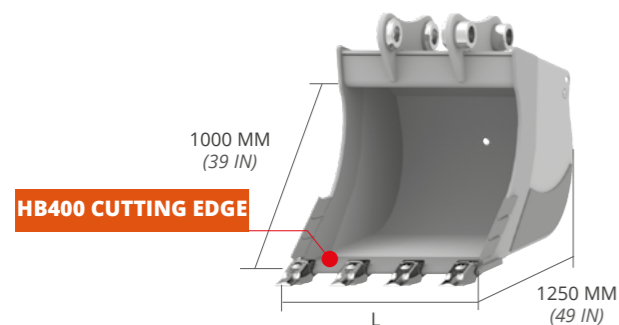
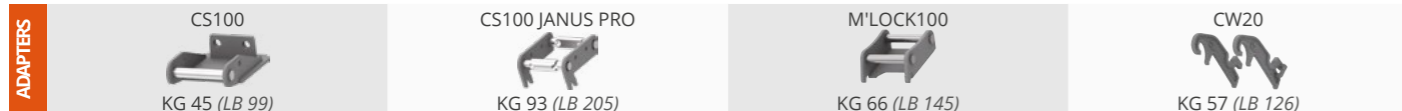
**OPTIONAL**

SUPPLEMENTARY BLADE 5

**OPTIONAL**

SUPPLEMENTARY BLADE 5

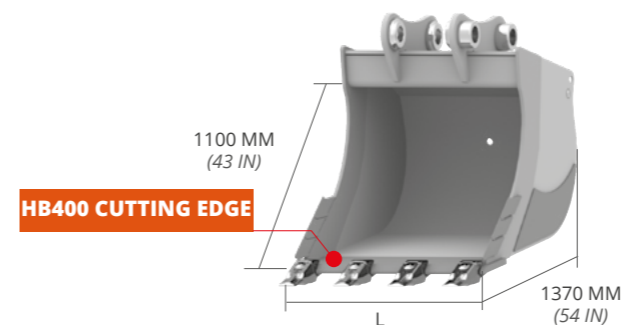
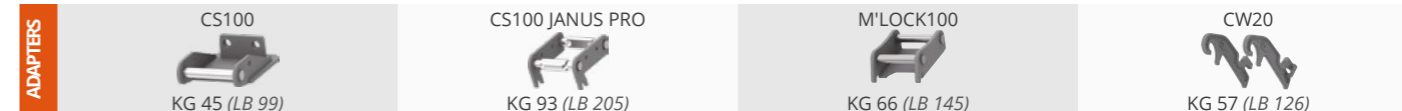
# SCR100 HD MACHINE WEIGHT 14,0 - 18,0 t (30865 - 39683 lb)



L MM (IN)	WEIGHT KG* (LB*)	CAP. SAE L (GAL)	TEETH N.	ADAPTERS
600 (24)	353 (778)	450 (118,9)	3	AF - CM
				CS - CW
				CS JANUS PRO
700 (28)	397 (875)	535 (141,3)	4	AF - CM
				CS - CW
				CS JANUS PRO
800 (31)	441 (972)	620 (163,7)	4	AF - CM
				CS - CW
				CS JANUS PRO
900 (35)	485 (1069)	710 (187,5)	4	AF - CM
				CS - CW
				CS JANUS PRO
1000 (39)	529 (1166)	800 (211,3)	5	AF - CM
				CS - CW
				CS JANUS PRO
1200 (47)	617 (1360)	980 (258,8)	5	AF - CM
				CS - CW
				CS JANUS PRO

\* weight of the tank excluding attachment

# SCR110 HD MACHINE WEIGHT 18,0 - 22,0 t (39683 - 48502 lb)



L MM (IN)	WEIGHT KG* (LB*)	CAP. SAE L (GAL)	TEETH N.	ADAPTERS
600 (24)	457 (1008)	480 (126,8)	3	AF - CM
				CS - CW
				CS JANUS PRO
800 (31)	559 (1232)	690 (182,3)	4	AF - CM
				CS - CW
				CS JANUS PRO
1000 (39)	671 (1479)	900 (237,7)	5	AF - CM
				CS - CW
				CS JANUS PRO
1200 (47)	773 (1704)	1110 (293,2)	5	AF - CM
				CS - CW
				CS JANUS PRO
1300 (52)	824 (1817)	1220 (322,2)	6	AF - CM
				CS - CW
				CS JANUS PRO
1400 (55)	875 (1929)	1330 (351,3)	6	AF - CM
				CS - CW
				CS JANUS PRO

\* weight of the tank excluding attachment

**OPTIONAL**

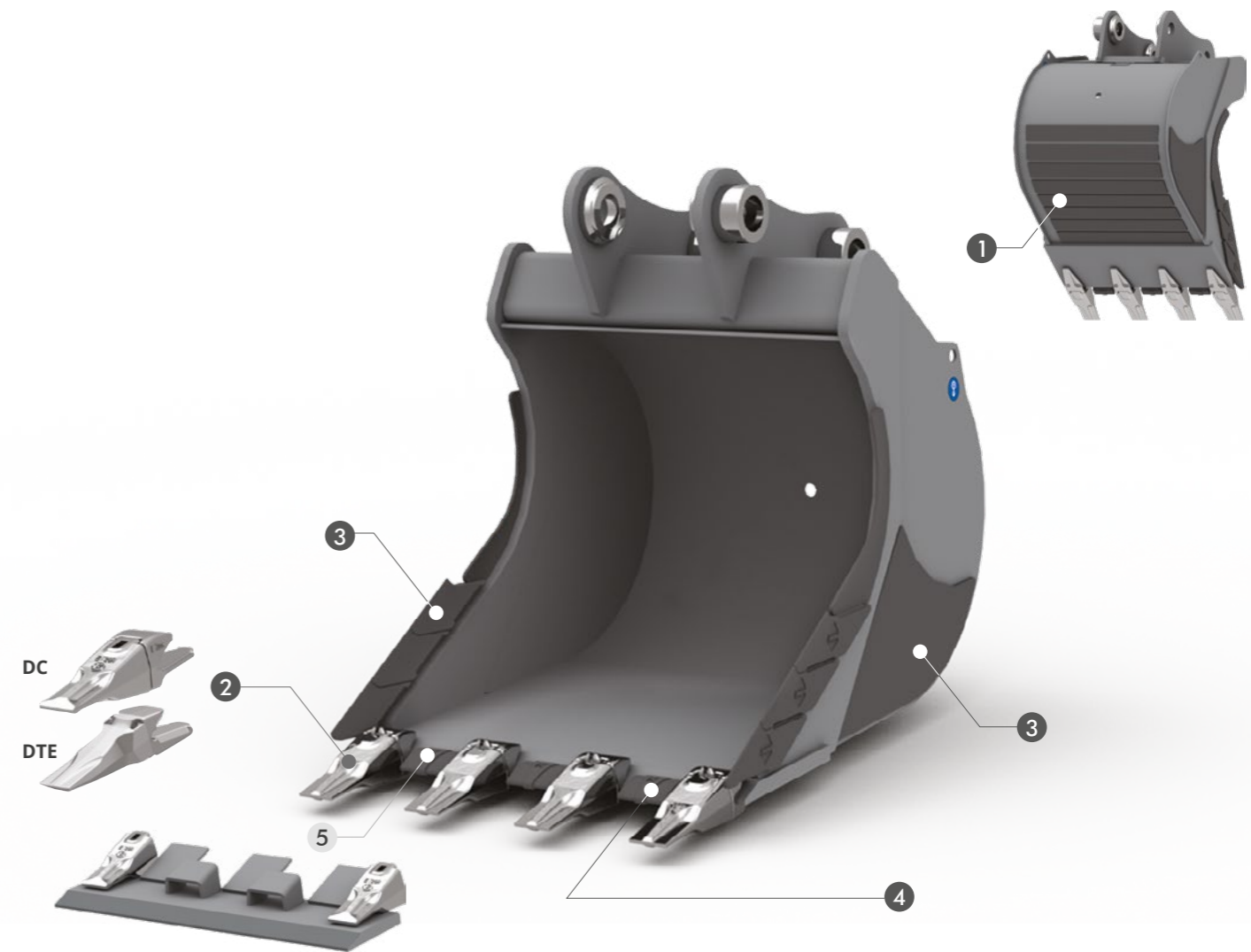
SUPPLEMENTARY BLADE 5

**OPTIONAL**

SUPPLEMENTARY BLADE 5



ITS PARTICULAR GEOMETRY ENABLES TO HANDLE STONE BLOCKS OR HEAVY MATERIALS EASILY. SPECIAL HB400 MATERIALS ARE USED TO STRENGTHEN PARTS SUBJECT TO WEAR AND ENSURE THEIR HIGH RESISTANCE.



**STANDARD TECHNICAL FEATURES**

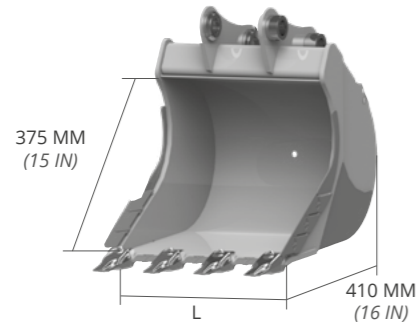
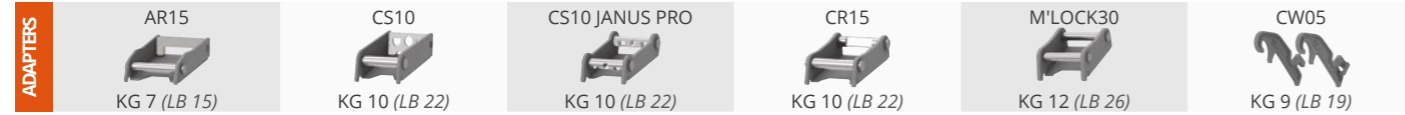
- 1 REINFORCING STRIPS HB400**  
THE HORIZONTAL REINFORCING STRIPS ON THE BUCKET'S REAR AND BOTTOM PROTECT THE BUCKET FROM WEAR AND INCREASE ITS RESISTANCE.
- 2 DC TEETH DTE TEETH**
- 3 HB400 SIDE CAST CUTTERS AND REINFORCEMENTS**  
THESE HB400 CAST CUTTERS ARE POSITIONED ON THE SURFACES MOSTLY SUBJECT TO WEAR GRANTING A HIGHER RESISTANCE.
- 4 REINFORCED CUTTING EDGE**  
UP TO 10 TONS: HB400 CAST SHROUDS MOUNTED ON PARTS SUBJECT TO WEAR.  
BEYOND 10 TONS: HB400 CUTTING EDGE.

**OPTIONAL**

- 5 GRADING EDGE**  
INSTALLED DIRECTLY ON THE ADAPTERS OF THE WELDED TEETH. THIS PATTERN MAKES THE INSTALLING/UNINSTALLING OPERATIONS EASIER AND GRANTS A HIGH RESISTANCE TO THE BUCKET. IN CASE OF ORDER AS A SPARE PART, THE BLADE WILL BE SUPPLIED UNASSEMBLED.

MOD.	MIDI EXCAVATOR							EXCAVATOR			
	SB38	SB45	SB53	SB62	SB67	SB73	SB80	SB85	SB92 HD	SB100 HD	SB110 HD
TONS (LB)	1,2 - 1,8 (2646 - 3968)	1,8 - 2,5 (3968 - 5512)	2,5 - 4,0 (5512 - 8818)	4,0 - 5,0 (8818 - 11023)	5,0 - 7,5 (11023 - 16535)	7,5 - 10,0 (16535 - 22046)	10,0 - 12,0 (22046 - 26455)	12,0 - 14,0 (26455 - 30865)	12,0 - 14,0 (26455 - 30865)	14,0 - 18,0 (30865 - 39683)	18,0 - 22,0 (39683 - 48502)

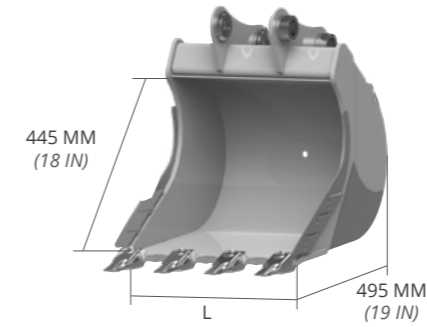
## SB38 MACHINE WEIGHT 1,2 - 1,8 t (2646 - 3968 lb)



L MM (IN)	WEIGHT KG* (LB*)	CAP. SAE L (GAL)	TEETH N.	ADAPTERS
200 (8)	17 (38)	15 (4,0)	2	AF - AR - CS
				CR - CM
				CW - CS JANUS PRO
250 (10)	19 (43)	20 (5,3)	DF2 DC3 DE3	AF - AR - CS
				CR - CM
				CW - CS JANUS PRO
300 (12)	22 (48)	25 (6,6)	3	AF - AR - CS
				CR - CM
				CW - CS JANUS PRO
350 (14)	24 (52)	31 (8,2)	3	AF - AR - CS
				CR - CM
				CW - CS JANUS PRO
400 (16)	28 (61)	37 (9,8)	3	AF - AR - CS
				CR - CM
				CW - CS JANUS PRO
450 (18)	31 (68)	43 (11,4)	3	AF - AR - CS
				CR - CM
				CW - CS JANUS PRO
500 (20)	35 (76)	49 (12,4)	4	AF - AR - CS
				CR - CM
				CW - CS JANUS PRO
600 (24)	39 (86)	61 (16,1)	4	AF - AR - CS
				CR - CM
				CW - CS JANUS PRO
700 (28)	44 (98)	74 (19,5)	5	AF - AR - CS
				CR - CM
				CW - CS JANUS PRO

\* weight of the tank excluding attachment

## SB45 MACHINE WEIGHT 1,8 - 2,5 t (3968 - 5512 lb)



L MM (IN)	WEIGHT KG* (LB*)	CAP. SAE L (GAL)	TEETH N.	ADAPTERS
250 (10)	26 (57)	25 (6,6)	DF2 DC3 DE3	AF - AR - CS
				CR - CM
				CW - CS JANUS PRO
300 (12)	29 (64)	33 (8,7)	3	AF - AR - CS
				CR - CM
				CW - CS JANUS PRO
350 (14)	32 (71)	40 (10,6)	3	AF - AR - CS
				CR - CM
				CW - CS JANUS PRO
400 (16)	36 (80)	48 (12,7)	3	AF - AR - CS
				CR - CM
				CW - CS JANUS PRO
450 (18)	39 (87)	56 (14,8)	3	AF - AR - CS
				CR - CM
				CW - CS JANUS PRO
500 (20)	43 (95)	65 (17,2)	4	AF - AR - CS
				CR - CM
				CW - CS JANUS PRO
600 (24)	50 (109)	82 (21,7)	4	AF - AR - CS
				CR - CM
				CW - CS JANUS PRO
700 (28)	56 (123)	100 (26,4)	5	AF - AR - CS
				CR - CM
				CW - CS JANUS PRO
800 (31)	65 (142)	117 (30,9)	5	AF - AR - CS
				CR - CM
				CW - CS JANUS PRO

\* weight of the tank excluding attachment

### OPTIONAL

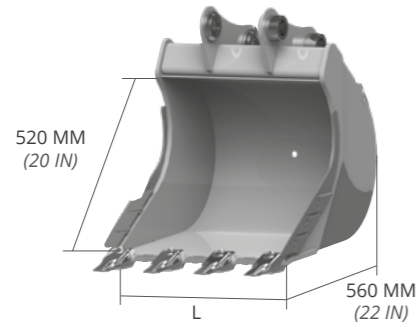
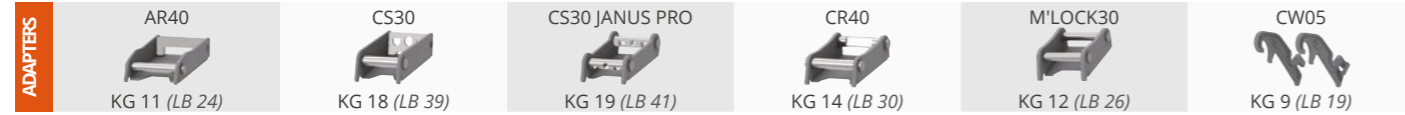
SUPPLEMENTARY BLADE	5
------------------------	---

### OPTIONAL

SUPPLEMENTARY BLADE	5
------------------------	---



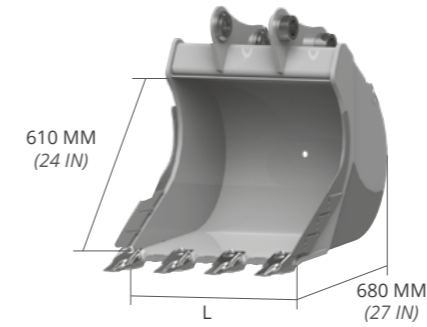
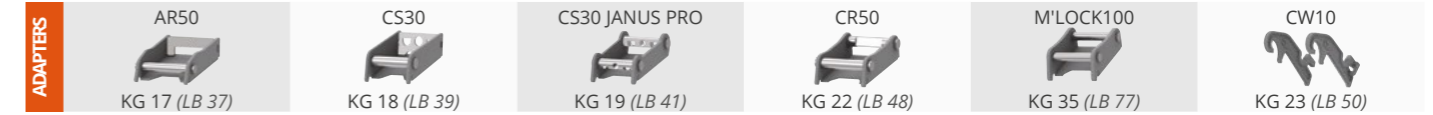
## SB53 MACHINE WEIGHT 2,5 - 4,0 t (5512 - 8818 lb)



L MM (IN)	WEIGHT KG* (LB*)	CAP. SAE L (GAL)	TEETH N.	ADAPTERS
250 (10)	37 (82)	32 (8,5)	2	AF - AR - CS
				CR - CM
				CW - CS JANUS PRO
300 (12)	40 (89)	41 (10,8)	3	AF - AR - CS
				CR - CM
				CW - CS JANUS PRO
350 (14)	46 (101)	51 (13,5)	3	AF - AR - CS
				CR - CM
				CW - CS JANUS PRO
400 (16)	51 (111)	61 (16,1)	3	AF - AR - CS
				CR - CM
				CW - CS JANUS PRO
450 (18)	55 (121)	72 (19,0)	3	AF - AR - CS
				CR - CM
				CW - CS JANUS PRO
500 (20)	59 (129)	82 (21,7)	4	AF - AR - CS
				CR - CM
				CW - CS JANUS PRO
600 (24)	67 (148)	105 (27,7)	4	AF - AR - CS
				CR - CM
				CW - CS JANUS PRO
700 (28)	76 (167)	127 (33,5)	5	AF - AR - CS
				CR - CM
				CW - CS JANUS PRO
800 (31)	85 (187)	152 (40,2)	5	AF - AR - CS
				CR - CM
				CW - CS JANUS PRO
900 (35)	93 (206)	175 (46,2)	5	AF - AR - CS
				CR - CM
				CW - CS JANUS PRO

\* weight of the tank excluding attachment

## SB62 MACHINE WEIGHT 4,0 - 5,0 t (8818 - 11023 lb)



L MM (IN)	WEIGHT KG* (LB*)	CAP. SAE L (GAL)	TEETH N.	ADAPTERS
250 (10)	57 (126)	45 (11,9)	2	AF - AR - CS
				CR - CM
				CW - CS JANUS PRO
300 (12)	63 (138)	58 (15,3)	3	AF - AR - CS
				CR - CM
				CW - CS JANUS PRO
350 (14)	68 (150)	71 (18,8)	3	AF - AR - CS
				CR - CM
				CW - CS JANUS PRO
400 (16)	74 (163)	85 (22,5)	3	AF - AR - CS
				CR - CM
				CW - CS JANUS PRO
450 (18)	79 (175)	100 (26,4)	3	AF - AR - CS
				CR - CM
				CW - CS JANUS PRO
500 (20)	86 (188)	115 (30,4)	4	AF - AR - CS
				CR - CM
				CW - CS JANUS PRO
600 (24)	97 (215)	147 (38,8)	4	AF - AR - CS
				CR - CM
				CW - CS JANUS PRO
700 (28)	109 (241)	180 (47,6)	5	AF - AR - CS
				CR - CM
				CW - CS JANUS PRO
800 (31)	121 (267)	213 (56,3)	5	AF - AR - CS
				CR - CM
				CW - CS JANUS PRO
900 (35)	133 (293)	248 (65,5)	6	AF - AR - CS
				CR - CM
				CW - CS JANUS PRO
1000 (39)	145 (319)	282 (74,5)	6	AF - AR - CS
				CR - CM
				CW - CS JANUS PRO

\* weight of the tank excluding attachment

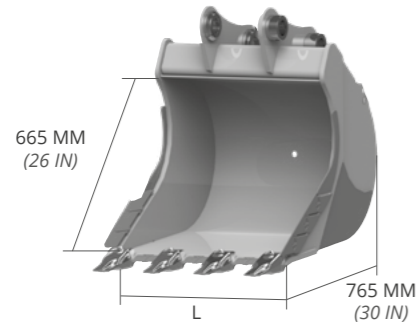
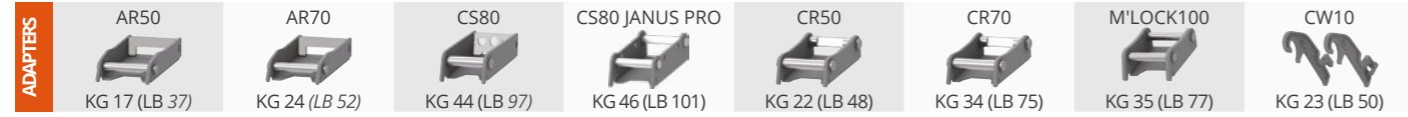
### OPTIONAL

SUPPLEMENTARY BLADE	5
------------------------	---

### OPTIONAL

SUPPLEMENTARY BLADE	5
------------------------	---

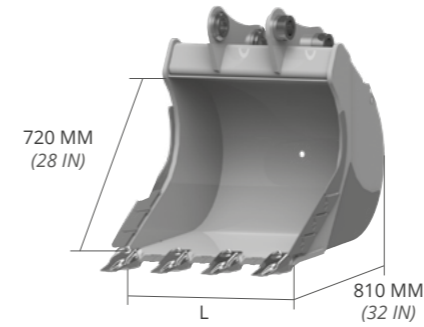
## SB67 MACHINE WEIGHT 5,0 - 7,5 t (11023 - 16535 lb)



L MM (IN)	WEIGHT KG* (LB*)	CAP. SAE L (GAL)	TEETH N.	ADAPTERS
300 (12)	83 (182)	68 (18,0)	3	AF - AR - CS
				CR - CM
				CW - CS JANUS PRO
350 (14)	92 (202)	84 (22,2)	3	AF - AR - CS
				CR - CM
				CW - CS JANUS PRO
400 (16)	101 (222)	101 (26,7)	3	AF - AR - CS
				CR - CM
				CW - CS JANUS PRO
450 (18)	109 (240)	118 (31,2)	3	AF - AR - CS
				CR - CM
				CW - CS JANUS PRO
500 (20)	117 (258)	137 (36,2)	4	AF - AR - CS
				CR - CM
				CW - CS JANUS PRO
600 (24)	134 (296)	174 (46,0)	4	AF - AR - CS
				CR - CM
				CW - CS JANUS PRO
700 (28)	150 (331)	214 (56,5)	5	AF - AR - CS
				CR - CM
				CW - CS JANUS PRO
800 (31)	167 (368)	254 (67,1)	5	AF - AR - CS
				CR - CM
				CW - CS JANUS PRO
900 (35)	183 (403)	295 (77,9)	6	AF - AR - CS
				CR - CM
				CW - CS JANUS PRO
1000 (39)	199 (438)	338 (89,3)	6	AF - AR - CS
				CR - CM
				CW - CS JANUS PRO

\* weight of the tank excluding attachment

## SB73 MACHINE WEIGHT 7,5 - 10,0 t (116535 - 22046 lb)



L MM (IN)	WEIGHT KG* (LB*)	CAP. SAE L (GAL)	TEETH N.	ADAPTERS
300 (12)	95 (210)	76 (20,1)	2	AF - CS
				CR - CM
				CW - CS JANUS PRO
350 (14)	103 (228)	94 (24,8)	3	AF - CS
				CR - CM
				CW - CS JANUS PRO
400 (16)	110 (243)	113 (29,9)	3	AF - CS
				CR - CM
				CW - CS JANUS PRO
450 (18)	120 (265)	133 (35,1)	3	AF - CS
				CR - CM
				CW - CS JANUS PRO
500 (20)	130 (286)	153 (40,4)	3	AF - CS
				CR - CM
				CW - CS JANUS PRO
600 (24)	148 (326)	196 (51,8)	4	AF - CS
				CR - CM
				CW - CS JANUS PRO
700 (28)	166 (366)	240 (63,4)	4	AF - CS
				CR - CM
				CW - CS JANUS PRO
800 (31)	184 (406)	286 (75,6)	5	AF - CS
				CR - CM
				CW - CS JANUS PRO
900 (35)	202 (446)	333 (88,0)	5	AF - CS
				CR - CM
				CW - CS JANUS PRO
1000 (39)	220 (486)	379 (100,1)	5	AF - CS
				CR - CM
				CW - CS JANUS PRO
1100 (43)	238 (525)	430 (113,6)	5	AF - CS
				CR - CM
				CW - CS JANUS PRO

\* weight of the tank excluding attachment

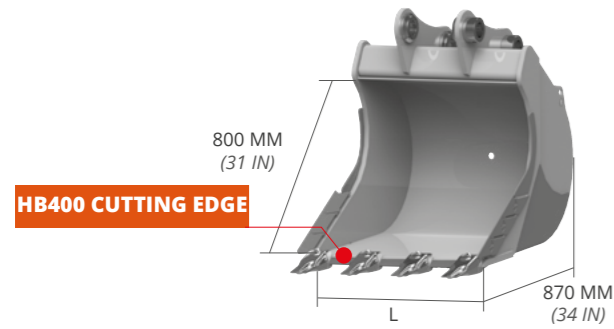
### OPTIONAL

SUPPLEMENTARY BLADE	5
------------------------	---

### OPTIONAL

SUPPLEMENTARY BLADE	5
------------------------	---

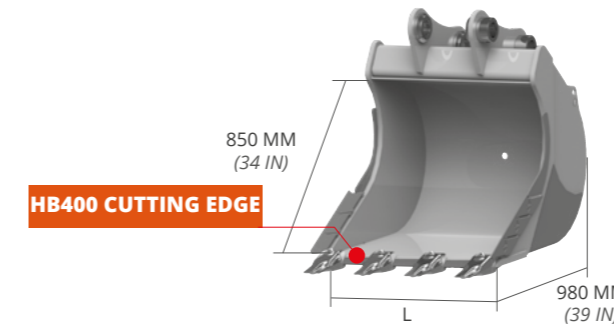
## SB80 SC80 MACHINE WEIGHT 10,0 - 12,0 t (22046 - 26455 lb)



L MM (IN)	WEIGHT KG* (LB*)	CAP. SAE L (GAL)	TEETH N.	ADAPTERS
300 (12)	119 (261)	86 (22,7)	2	AF - CS
				CR - CM - CS JANUS PRO
				CW
350 (14)	128 (282)	107 (28,3)	3	AF - CS
				CR - CM - CS JANUS PRO
				CW
400 (16)	141 (311)	129 (34,1)	3	AF - CS
				CR - CM - CS JANUS PRO
				CW
450 (18)	151 (333)	151 (39,9)	3	AF - CS
				CR - CM - CS JANUS PRO
				CW
500 (20)	162 (357)	174 (46,0)	3	AF - CS
				CR - CM - CS JANUS PRO
				CW
600 (24)	182 (402)	222 (58,6)	4	AF - CS
				CR - CM - CS JANUS PRO
				CW
700 (28)	203 (447)	273 (72,1)	4	AF - CS
				CR - CM - CS JANUS PRO
				CW
800 (31)	222 (489)	325 (85,9)	5	AF - CS
				CR - CM - CS JANUS PRO
				CW
900 (35)	242 (534)	379 (100,1)	5	AF - CS
				CR - CM - CS JANUS PRO
				CW
1000 (39)	261 (576)	433 (114,4)	5	AF - CS
				CR - CM - CS JANUS PRO
				CW
1100 (43)	282 (621)	486 (128,4)	5	AF - CS
				CR - CM - CS JANUS PRO
				CW
1200 (47)	303 (667)	546 (144,2)	6	AF - CS
				CR - CM - CS JANUS PRO
				CW
1300 (51)	323 (712)	602 (159,0)	6	AF - CS
				CR - CM - CS JANUS PRO
				CW

\* weight of the tank excluding attachment

## SB85 MIDI MACHINE WEIGHT 12,0 - 14,0 t (26455 - 30865 lb)



L MM (IN)	VWEIGHT KG* (LB*)	CAP. SAE L (GAL)	TEETH N.	ADAPTERS
400 (16)	197 (435)	171 (45,2)	3	AF - CM
				CS - CW
				CS JANUS PRO
500 (20)	220 (486)	235 (62,1)	3	AF - CM
				CS - CW
				CS JANUS PRO
600 (24)	243 (536)	300 (79,3)	4	AF - CM
				CS - CW
				CS JANUS PRO
700 (28)	266 (586)	368 (97,2)	4	AF - CM
				CS - CW
				CS JANUS PRO
800 (31)	289 (638)	438 (115,7)	5	AF - CM
				CS - CW
				CS JANUS PRO
900 (35)	312 (688)	510 (134,7)	5	AF - CM
				CS - CW
				CS JANUS PRO
1000 (39)	336 (741)	584 (154,3)	5	AF - CM
				CS - CW
				CS JANUS PRO
1100 (43)	360 (793)	657 (173,6)	5	AF - CM
				CS - CW
				CS JANUS PRO
1200 (47)	384 (847)	730 (192,8)	6	AF - CM
				CS - CW
				CS JANUS PRO
1300 (51)	408 (899)	810 (214,0)	6	AF - CM
				CS - CW
				CS JANUS PRO

\* weight of the tank excluding attachment

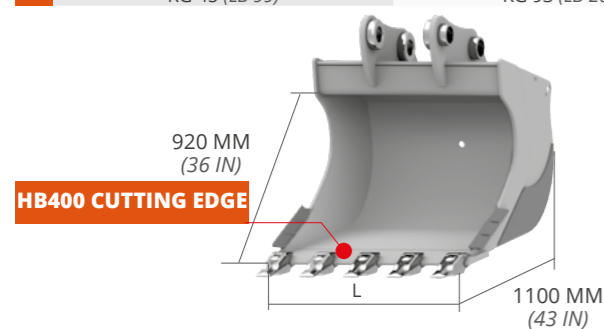
### OPTIONAL

SUPPLEMENTARY BLADE	5
------------------------	---

### OPTIONAL

SUPPLEMENTARY BLADE	5
------------------------	---

## SB92 HD EXCAVATOR MACHINE WEIGHT 12,0 - 14,0 t (26455 - 30865 lb)

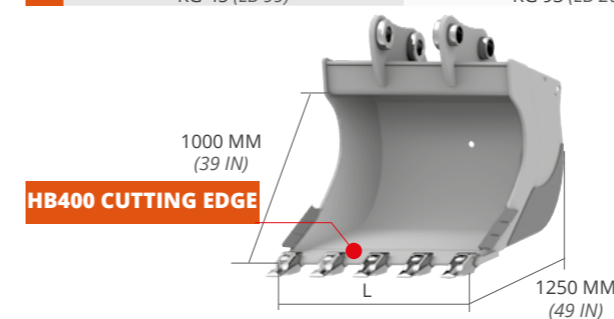
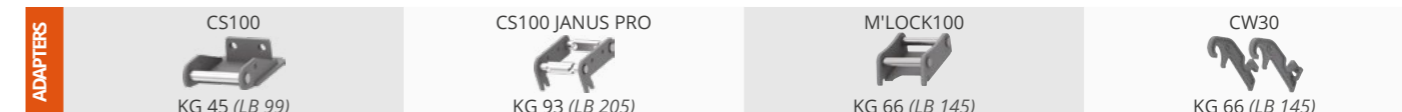


### OPTIONAL

L MM (IN)	WEIGHT KG* (LB*)	CAP. SAE L (GAL)	TEETH N.	ADAPTERS
600 (24)	259 (571)	337 (89,0)	4	AF - CM
				CS - CW
				CS JANUS PRO
700 (28)	280 (617)	405 (107,0)	4	AF - CM
				CS - CW
				CS JANUS PRO
800 (31)	315 (694)	475 (125,5)	5	AF - CM
				CS - CW
				CS JANUS PRO
900 (35)	350 (772)	547 (144,5)	5	AF - CM
				CS - CW
				CS JANUS PRO
1000 (39)	385 (849)	622 (164,3)	5	AF - CM
				CS - CW
				CS JANUS PRO
1200 (47)	421 (928)	783 (206,8)	6	AF - CM
				CS - CW
				CS JANUS PRO

\* weight of the tank excluding attachment

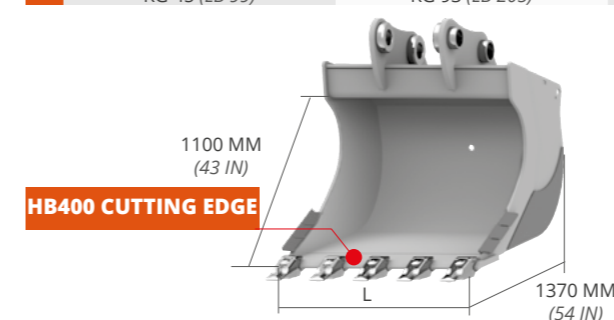
## SB100 HD MACHINE WEIGHT 14,0 - 18,0 t (30865 - 39683 lb)



### OPTIONAL

L MM (IN)	WEIGHT KG* (LB*)	CAP. SAE L (GAL)	TEETH N.	ADAPTERS
600 (24)	346 (763)	398 (105,1)	3	AF - CM
				CS - CW
				CS JANUS PRO
700 (28)	386 (851)	478 (126,3)	4	AF - CM
				CS - CW
				CS JANUS PRO
800 (31)	426 (939)	560 (147,9)	4	AF - CM
				CS - CW
				CS JANUS PRO
900 (35)	466 (1027)	644 (170,1)	4	AF - CM
				CS - CW
				CS JANUS PRO
1000 (39)	506 (1116)	730 (192,8)	5	AF - CM
				CS - CW
				CS JANUS PRO
1200 (47)	586 (1292)	909 (240,1)	5	AF - CM
				CS - CW
				CS JANUS PRO

## SB110 HD MACHINE WEIGHT 18,0 - 22,0 t (39683 - 48502 lb)



### OPTIONAL

L MM (IN)	WEIGHT KG* (LB*)	CAP. SAE L (GAL)	TEETH N.	ADAPTERS
600 (24)	437 (963)	464 (122,6)	3	AF - CM
				CS - CW
				CS JANUS PRO
800 (31)	539 (1188)	654 (172,8)	4	AF - CM
				CS - CW
				CS JANUS PRO
1000 (39)	641 (1413)	854 (225,6)	5	AF - CM
				CS - CW
				CS JANUS PRO
1200 (47)	743 (1638)	1064 (281,1)	5	AF - CM
				CS - CW
				CS JANUS PRO
1300 (52)	794 (1750)	1173 (309,9)	6	AF - CM
				CS - CW
				CS JANUS PRO
1400 (55)	845 (1863)	1288 (340,3)	6	AF - CM
				CS - CW
				CS JANUS PRO

\* weight of the tank excluding attachment



HB400 REINFORCEMENTS ON THE AREAS OF MAJOR WEAR, CAST SIDE CUTTERS AND A BOLTED-IN REVERSIBLE UNDERBLADE MAKE THIS BUCKET SUITABLE FOR WORKS ON ABRASIVE SOILS.

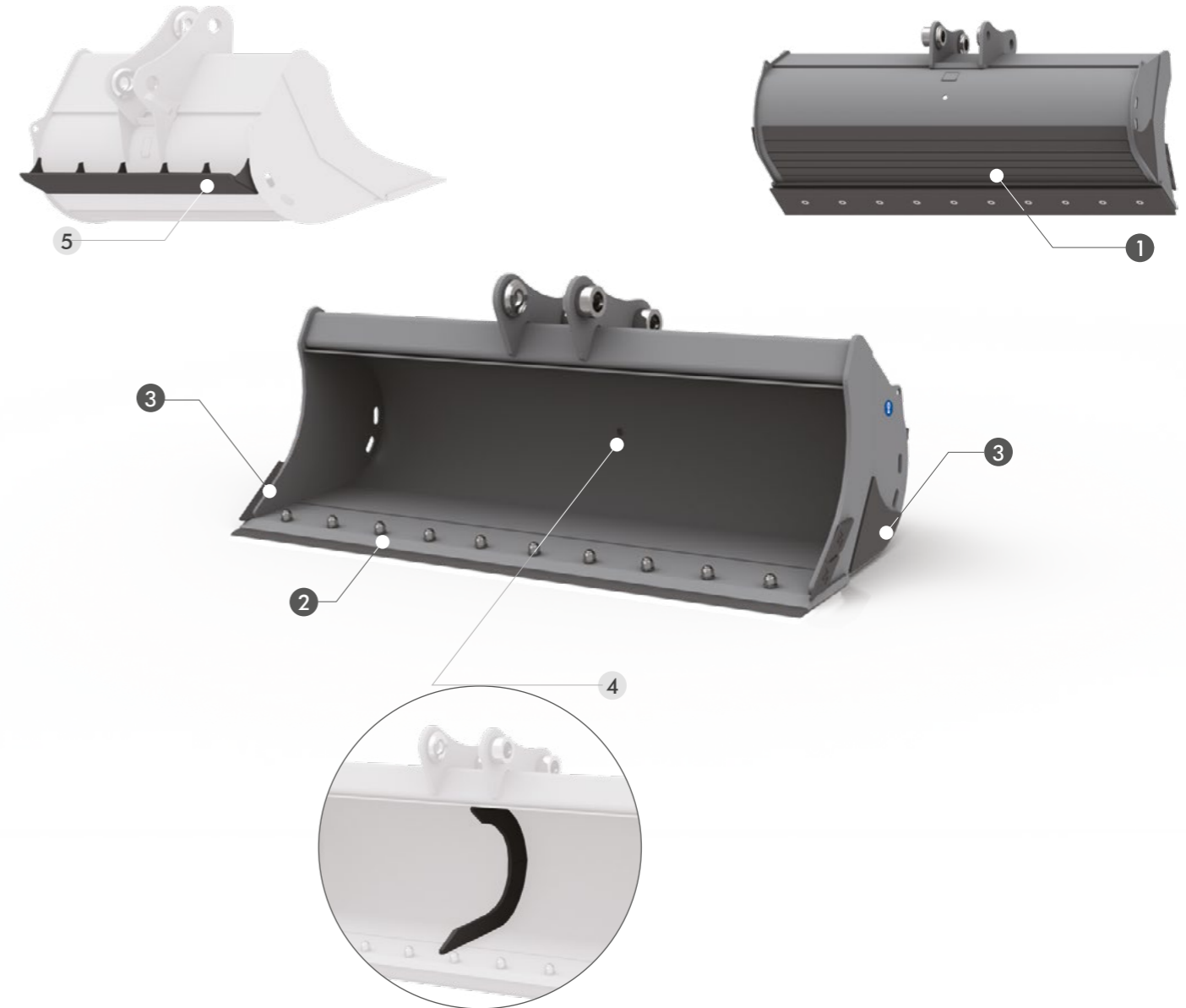
**THE INSTALLATION OF BEZELS IS HIGHLY RECOMMENDED FOR BUCKETS WIDER THAN 1400 MM, IN ORDER TO AVOID DAMAGES TO THE BUCKET IN CASE OF HEAVY DUTY JOBS OR WITH PARTICULARLY HARD TERRAINS:**

- WIDTH FROM 1400 TO 1500 MM: NR. 1 BEZEL
- WIDTH FROM 1600 TO 1600 MM: NR. 2 BEZELS
- WIDTH FROM 1800 TO 2200 MM: NR. 3 BEZELS

MOD.	SPR35	SPR40	SPR40	SPR45	SPR50	SPR55	MIDI		EXCAVATOR
							SPR60	SPR65 HD	SPR70 HD
TONS (LB)	1,8 - 2,5 (3968 - 5512)	2,0 - 2,5 (4409 - 5512)	2,5 - 4,0 (5512 - 8818)	4,0 - 5,0 (8818 - 11023)	5,0 - 7,5 (11023 - 16535)	7,5 - 10,0 (16535 - 22046)	10,0 - 12,0 (22046 - 26455)	12,0 - 18,0 (26455 - 39683)	18,0 - 22,0 (39683 - 48502)



ADAPTERS



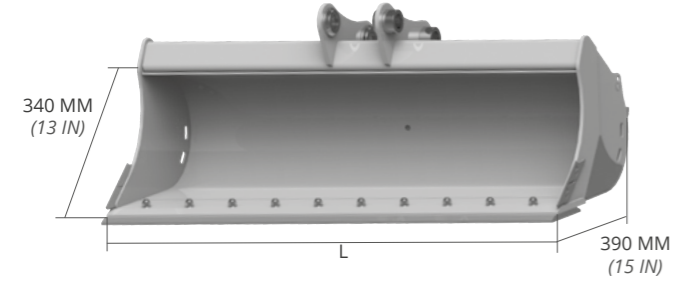
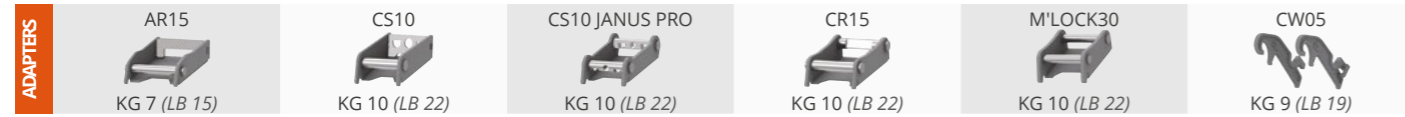
### SPECIFICHE TECNICHE STANDARD

- 1 HB400 REINFORCING STRIPS**  
THE HORIZONTAL REINFORCING STRIPS ON THE BUCKET'S REAR AND BOTTOM PROTECT THE BUCKET FROM WEAR AND INCREASE ITS RESISTANCE.
- 2 HB400 ADDITIONAL BOLT-ON REVERSIBLE CUTTING EDGE**  
HB400 BOLTED-IN REVERSIBLE UNDERBLADE INDICATED TO WORK ON PARTICULARLY ABRASIVE SOILS.
- 3 HB400 SIDE CAST CUTTERS AND REINFORCEMENTS**  
THESE HB400 CAST CUTTERS ARE POSITIONED ON THE SURFACES MOSTLY SUBJECT TO WEAR GRANTING A HIGHER RESISTANCE.

### OPTIONAL

- 4 BEZEL**  
IT ENSURES A HIGHER STRUCTURAL RESISTANCE. **HIGHLY RECOMMENDED WITH BUCKETS 1400MM WIDE OR MORE.**
- 5 REAR RAZOR**  
WHEN THE MACHINE'S ARM IS KEPT CLOSED, IT ALLOWS TO FINISH SURFACES EVENLY.

## SPR35 MACHINE WEIGHT - 1,2 - 1,8 t (2646 - 3968 lb)

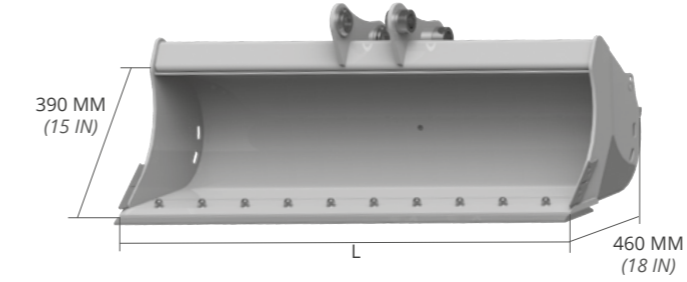


L MM (IN)	WEIGHT KG* (LB*)	CAP. SAE L (GAL)	ADAPTERS
800 (31)	63 (138)	75 (19,8)	AF - AR - CS
			CR - CM
			CW - CS JANUS PRO
1000 (39)	76 (168)	96 (25,4)	AF - AR - CS
			CR - CM
			CW - CS JANUS PRO
1200 (47)	90 (198)	117 (30,9)	AF - AR - CS
			CR - CM
			CW - CS JANUS PRO

### OPTIONAL

REAR RAZOR 5

## SPR40 MACHINE WEIGHT 2,0 - 2,5 t (4409 - 5511 lb)

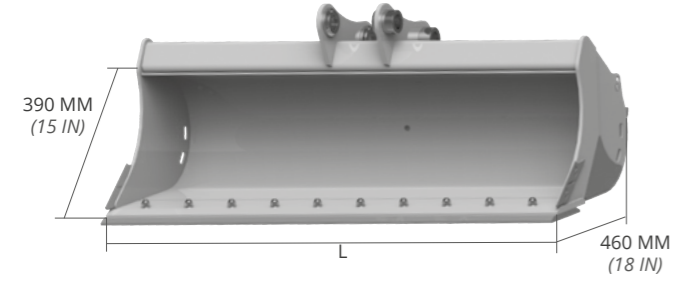
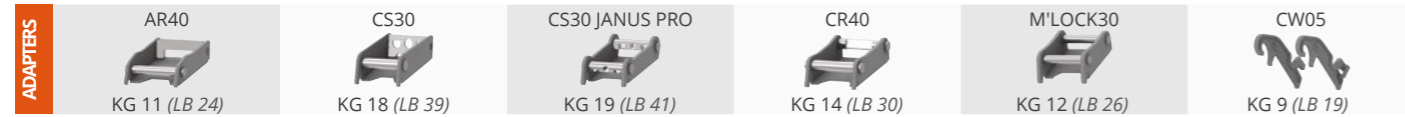


L MM (IN)	WEIGHT KG* (LB*)	CAP. SAE L (GAL)	ADAPTERS
1000 (39)	108 (238)	125 (33,0)	AF - AR - CS
			CR - CM
			CW - CS JANUS PRO
1200 (47)	128 (282)	154 (40,7)	AF - AR - CS
			CR - CM
			CW - CS JANUS PRO

### OPTIONAL

BEZEL 4 REAR RAZOR 5

## SPR40 MACHINE WEIGHT 2,5 - 4,0 t (5511 - 8818 lb)

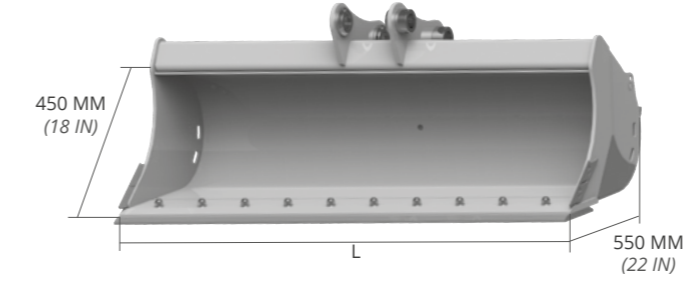
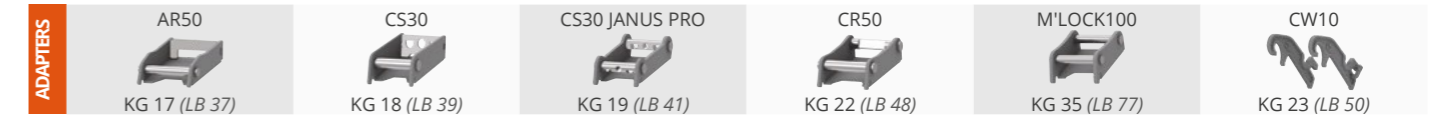


L MM (IN)	WEIGHT KG* (LB*)	CAP. SAE L (GAL)	ADAPTERS
1000 (39)	108 (238)	125 (33,0)	AF - AR - CS
			CR - CM
			CW - CS JANUS PRO
1200 (47)	128 (282)	154 (40,7)	AF - AR - CS
			CR - CM
			CW - CS JANUS PRO
1400 (55)	148 (326)	182 (48,1)	AF - AR - CS
			CR - CM
			CW - CS JANUS PRO

### OPTIONAL

BEZEL 4 REAR RAZOR 5

## SPR45 MACHINE WEIGHT 4,0 - 5,0 t (8818 - 11023 lb)



L MM (IN)	WEIGHT KG* (LB*)	CAP. SAE L (GAL)	ADAPTERS
1200 (47)	160 (353)	213 (56,3)	AF - AR - CS
			CR - CM
			CW - CS JANUS PRO
1400 (55)	185 (407)	254 (67,1)	AF - AR - CS
			CR - CM
			CW - CS JANUS PRO
1500 (59)	197 (433)	274 (72,4)	AF - AR - CS
			CR - CM
			CW - CS JANUS PRO

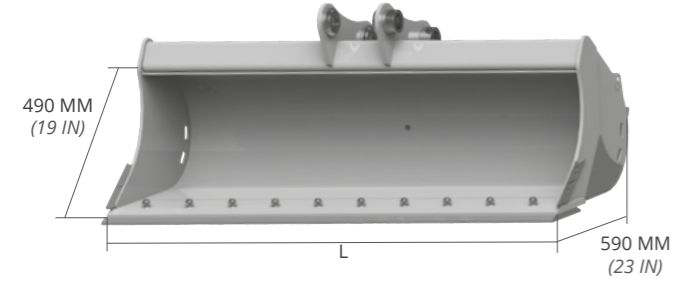
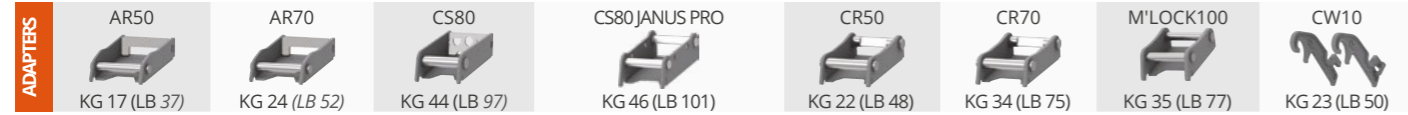
### OPTIONAL

BEZEL 4 REAR RAZOR 5

\* weight of the tank excluding attachment

\* weight of the tank excluding attachment

## SPR50 MACHINE WEIGHT 5,0 - 7,5 t (11012 - 16535 lb)

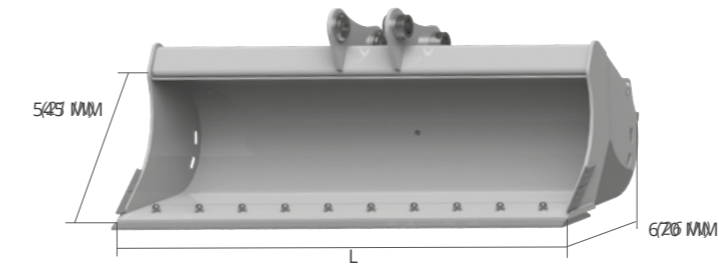


L MM (IN)	WEIGHT KG* (LB*)	CAP. SAE L (GAL)	ADAPTERS
1200 (47)	183 (404)	250 (66,0)	AF - AR - CS CR - CM CW - CS JANUS PRO
1400 (55)	211 (465)	298 (78,8)	AF - AR - CS CR - CM CW - CS JANUS PRO
1600 (63)	239 (526)	345 (91,1)	AF - AR - CS CR - CM CW - CS JANUS PRO
1800 (71)	266 (587)	392 (103,6)	AF - AR - CS CR - CM CW - CS JANUS PRO

### OPTIONAL

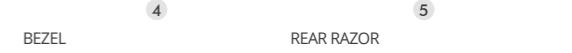


## SPR55 MACHINE WEIGHT 7,5 - 10,0 t (16535 - 22046 lb)

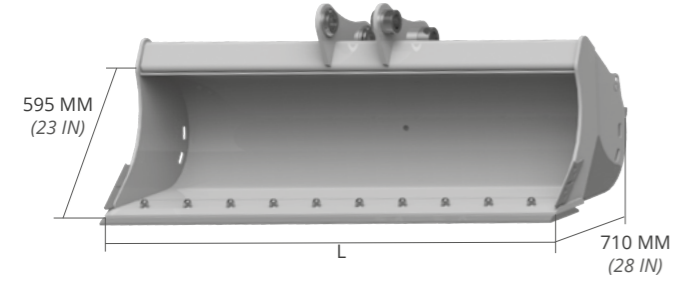


L MM (IN)	WEIGHT KG* (LB*)	CAP. SAE L (GAL)	ADAPTERS
1200 (47)	233 (515)	326 (86,1)	AF - CS CR - CM CW - CS JANUS PRO
1400 (55)	267 (588)	387 (102,2)	AF - CS CR - CM CW - CS JANUS PRO
1600 (63)	302 (665)	447 (118,1)	AF - CS CR - CM CW - CS JANUS PRO
1800 (71)	336 (741)	507 (133,9)	AF - CS CR - CM CW - CS JANUS PRO

### OPTIONAL

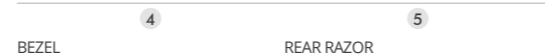


## SPR60 MIDI MACHINE WEIGHT 10,0 - 12,0 t (22046 - 26455 lb)

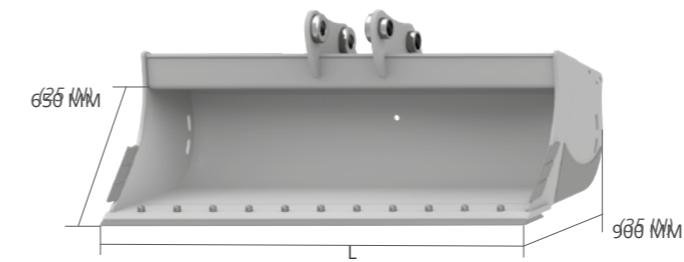


L MM (IN)	WEIGHT KG* (LB*)	CAP. SAE L (GAL)	ADAPTERS
1200 (47)	273 (601)	367 (97,0)	AF - CS CR - CM - CS JANUS PRO CW
1400 (55)	311 (685)	436 (115,2)	AF - CS CR - CM - CS JANUS PRO CW
1600 (63)	351 (774)	504 (133,1)	AF - CS CR - CM - CS JANUS PRO CW
1800 (71)	389 (858)	573 (151,4)	AF - CS CR - CM - CS JANUS PRO CW
2000 (79)	427 (942)	641 (169,3)	AF - CS CR - CM - CS JANUS PRO CW

### OPTIONAL

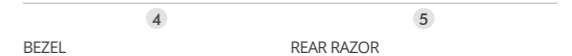


## SPR65 HD EXCAVATOR MACHINE WEIGHT 12,0 - 18,0 t (26455 - 39683 lb)



L MM (IN)	WEIGHT KG* (LB*)	CAP. SAE L (GAL)	ADAPTERS
1400 (55)	394 (869)	631 (166,7)	AF - CM CS - CW CS JANUS PRO
1500 (59)	4420 (926)	665 (175,7)	AF - CM CS - CW CS JANUS PRO
1600 (63)	445 (981)	699 (184,7)	AF - CM CS - CW CS JANUS PRO
1800 (71)	496 (1093)	767 (202,6)	AF - CM CS - CW CS JANUS PRO
2000 (79)	546 (1204)	835 (220,6)	AF - CM CS - CW CS JANUS PRO

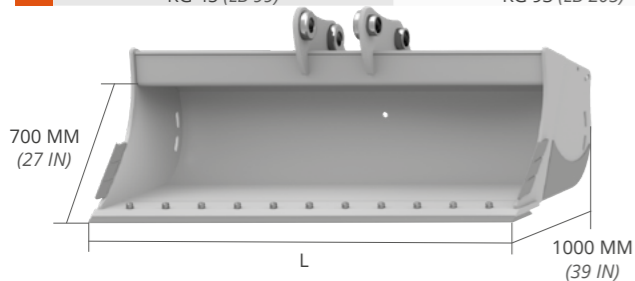
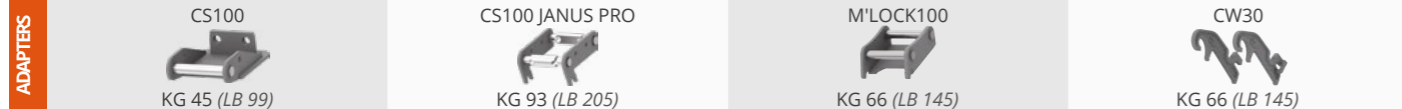
### OPTIONAL



\* weight of the tank excluding attachment

\* weight of the tank excluding attachment

# SPR70 HD MACHINE WEIGHT 18,0 - 22,0 t (39683 - 48502 lb)



L MM (IN)	WEIGHT KG* (LB*)	CAP. SAE L (GAL)	ADAPTERS
1500 (59)	512 (1130)	780 (206,1)	AF - CM
			CS - CW
			CS JANUS PRO
1600 (63)	543 (1197)	820 (216,6)	AF - CM
			CS - CW
			CS JANUS PRO
1800 (71)	604 (1331)	900 (237,8)	AF - CM
			CS - CW
			CS JANUS PRO
2000 (79)	662 (1460)	980 (258,9)	AF - CM
			CS - CW
			CS JANUS PRO
2200 (87)	719 (1586)	1060 (280,0)	AF - CM
			CS - CW
			CS JANUS PRO

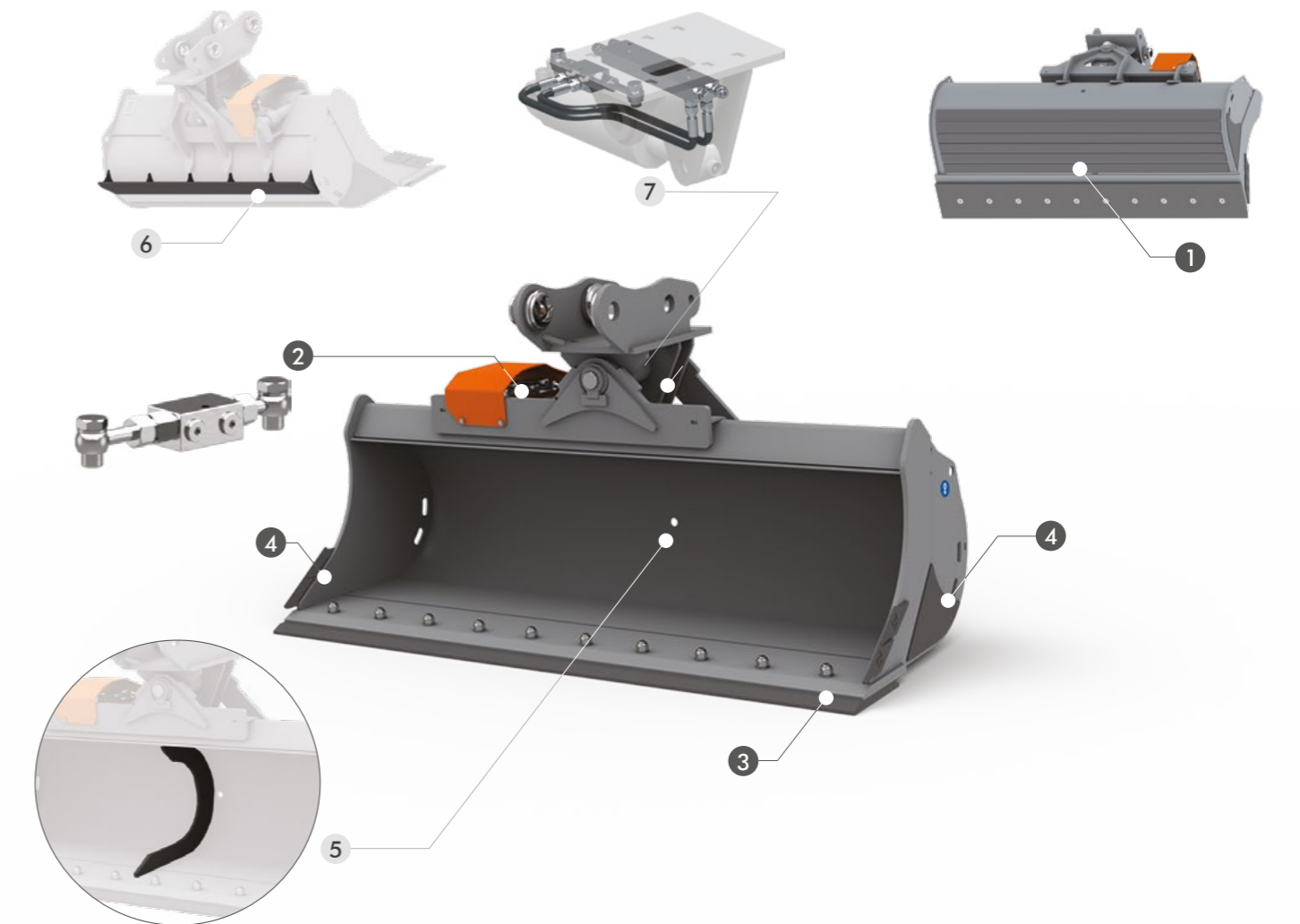
## OPTIONAL

BEZEL	4	REAR RAZOR	5
-------	---	------------	---



\* weight of the tank excluding attachment





## STANDARD TECHNICAL FEATURES

- 1 REINFORCING STRIPS 400HB**  
THE HORIZONTAL REINFORCING STRIPS ON THE BUCKET'S REAR AND BOTTOM PROTECT THE BUCKET FROM WEAR AND INCREASE ITS RESISTANCE.
- 2 BLOCK VALVE**  
IT ALLOWS TO KEEP THE BUCKET POSITIONING DURING THE WORKING PHASE.
- 3 HB400 ADDITIONAL BOLT-ON REVERSIBLE CUTTING EDGE**  
BOLTED-IN HB400 REVERSIBLE UNDERBLADE. RECOMMENDED TO WORK ON PARTICULARLY ABRASIVE SOILS.
- 4 HB400 SIDE CAST CUTTERS AND REINFORCEMENTS**  
THESE HB400 CAST CUTTERS ARE POSITIONED ON THE SURFACES MOSTLY SUBJECT TO WEAR GRANTING A HIGHER RESISTANCE.

## OPTIONAL

- 5 BEZEL**  
IT ENSURES A HIGHER STRUCTURAL RESISTANC. **HIGHLY RECOMMENDED WITH BUCKETS 1400MM WIDE OR MORE.**
- 6 REAR RAZOR**  
WHEN THE MACHINE'S ARM IS KEPT CLOSED, IT ALLOWS TO FINISH SURFACES EVENLY.
- 7 PIPE KIT**  
OPTIONAL KIT INSTALLED ON THE BUCKET FOR THE FEEDING OF THE HYDRAULIC CYLINDER. IT ALLOWS THE USE OF TWO OUTLETS ON THE RIGHT AND TWO OUTLETS ON THE LEFT FOR THE HYDRAULIC CONNECTION TO THE MACHINE REDUCING THE INSTALLATION TIMES. THE CONNECTING PIPES ARE NOT SUPPLIED.

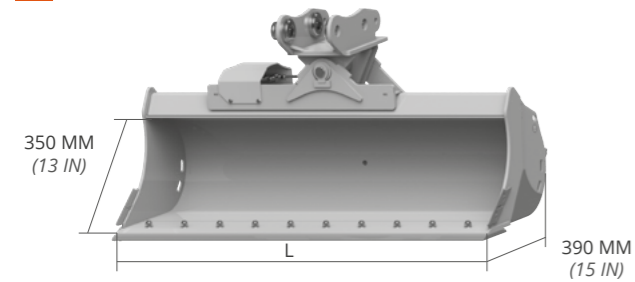
HB400 REINFORCEMENTS ON THE AREAS OF MAJOR WEAR, CAST SIDE CUTTERS AND A BOLTED-IN REVERSIBLE UNDERBLADE MAKE THIS BUCKET SUITABLE FOR WORKS ON ABRASIVE SOILS. IT'S THE IDEAL TOOL FOR FINISHING AND LEVELLING WORKS. ITS TILTING MECHANISM ENABLES TO TILT THE BUCKET BY 45° ON BOTH SIDES. THE STANDARD BLOCK VALVE ENABLES TO KEEP THE ANGLE.

**THE INSTALLATION OF BEZELS IS HIGHLY RECOMMENDED FOR BUCKETS WIDER THAN 1400 MM, IN ORDER TO AVOID DAMAGES TO THE BUCKET IN CASE OF HEAVY DUTY JOBS OR WITH PARTICULARLY HARD TERRAINS:**

- WIDTH FROM 1400 TO 1500 MM: NR. 1 BEZEL
- WIDTH FROM 1600 TO 1600 MM: NR. 2 BEZELS
- WIDTH FROM 1800 TO 2200 MM: NR. 3 BEZELS

MOD.	SQR35	SQR40	SQR45	SQR50	SQR55	MIDI SQR60	EXCAVATOR SQR65 HD	SQR70 HD
TONS (LB)	1,8 - 2,5 (3968 - 5512)	2,5 - 4,0 (5512 - 8818)	4,0 - 5,0 (8818 - 11023)	5,0 - 7,5 (11023 - 16535)	7,5 - 10,0 (16535 - 22046)	10,0 - 12,0 (22046 - 26455)	12,0 - 18,0 (26455 - 39683)	18,0 - 22,0 (39683 - 48502)

## SQR35 MACHINE WEIGHT - 1,8 - 2,5 t (3968 - 5512 lb)

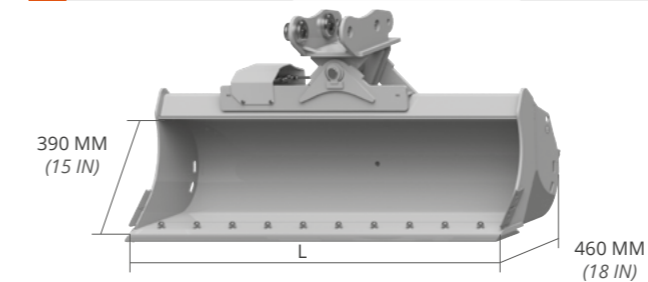
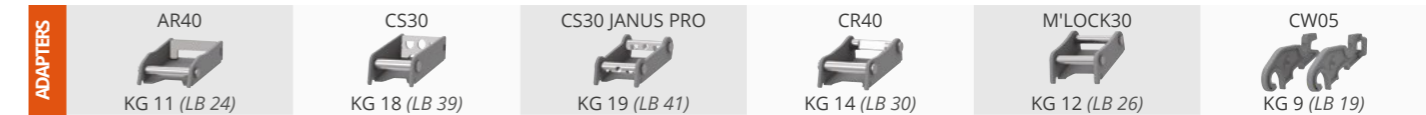


L MM (IN)	WEIGHT KG* (LB*)	CAP. SAE L (GAL)	ADAPTERS
800 (31)	95 (210)	75 (19,8)	AF - AR - CS
			CR - CM
			CW - CS JANUS PRO
1000 (39)	109 (239)	96 (25,4)	AF - AR - CS
			CR - CM
			CW - CS JANUS PRO
1200 (47)	122 (269)	117 (30,9)	AF - AR - CS
			CR - CM
			CW - CS JANUS PRO

### OPTIONAL

7	8
REAR RAZOR	PIPE KIT

## SQR40 MACHINE WEIGHT 2,5 - 4,0 t (5512 - 8818 lb)

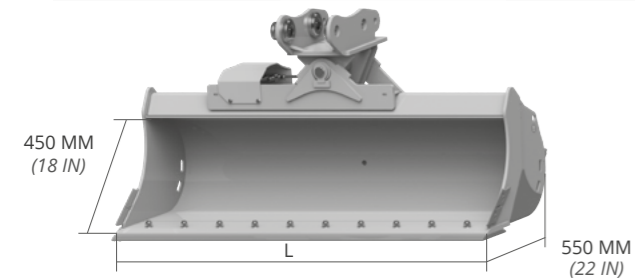
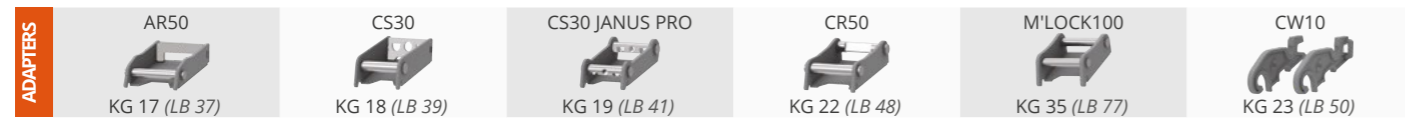


L MM (IN)	WEIGHT KG* (LB*)	CAP. SAE L (GAL)	ADAPTERS
1000 (39)	166 (365)	125 (33,0)	AF - AR - CS
			CR - CM
			CW - CS JANUS PRO
1200 (47)	186 (410)	154 (40,7)	AF - AR - CS
			CR - CM
			CW - CS JANUS PRO
1400 (55)	206 (454)	182 (48,1)	AF - AR - CS
			CR - CM
			CW - CS JANUS PRO

### OPTIONAL

6	7	8
BEZEL	REAR RAZOR	PIPE KIT

## SQR45 MACHINE WEIGHT 4,0 - 5,0 t (8818 - 11023 lb)

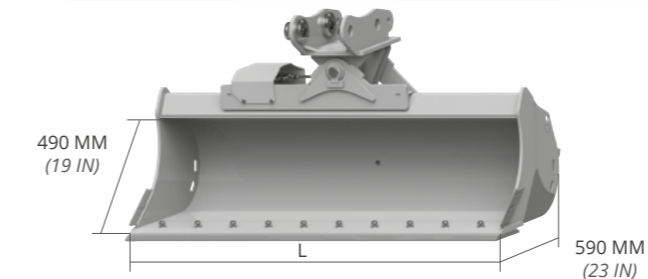
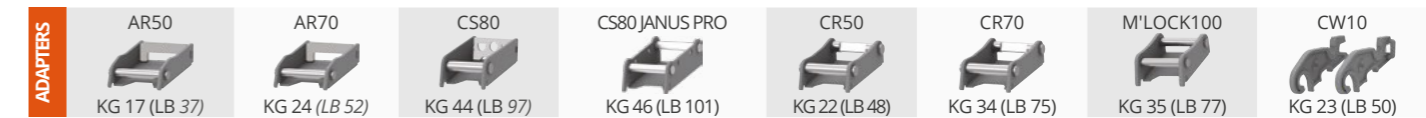


L MM (IN)	WEIGHT KG* (LB*)	CAP. SAE L (GAL)	ADAPTERS
1200 (47)	243 (537)	213 (56,3)	AF - AR - CS
			CR - CM
			CW - CS JANUS PRO
1400 (55)	268 (591)	254 (67,1)	AF - AR - CS
			CR - CM
			CW - CS JANUS PRO
1500 (59)	280 (617)	274 (72,4)	AF - AR - CS
			CR - CM
			CW - CS JANUS PRO

### OPTIONAL

6	7	8
BEZEL	REAR RAZOR	PIPE KIT

## SQR50 MACHINE WEIGHT 5,0 - 7,5 t (11012 - 16535 lb)



L MM (IN)	WEIGHT KG* (LB*)	CAP. SAE L (GAL)	ADAPTERS
1200 (47)	267 (588)	250 (66,0)	AF - AR - CS
			CR - CM
			CW - CS JANUS PRO
1400 (55)	294 (648)	298 (78,8)	AF - AR - CS
			CR - CM
			CW - CS JANUS PRO
1600 (63)	322 (710)	345 (91,1)	AF - AR - CS
			CR - CM
			CW - CS JANUS PRO
1800 (71)	349 (770)	392 (103,6)	AF - AR - CS
			CR - CM
			CW - CS JANUS PRO

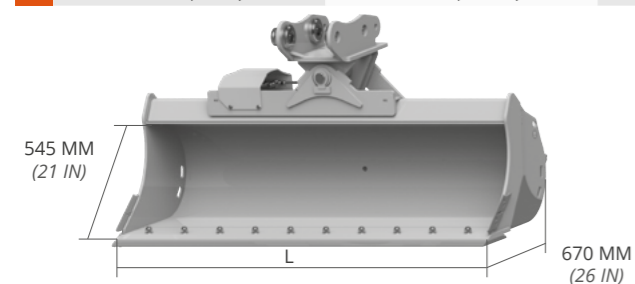
### OPTIONAL

6	7	8
BEZEL	REAR RAZOR	PIPE KIT

\* weight of the tank excluding attachment

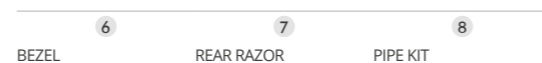
\* weight of the tank excluding attachment

## SQR55 MACHINE WEIGHT 7,5 - 10,0 t (16535 - 22046 lb)

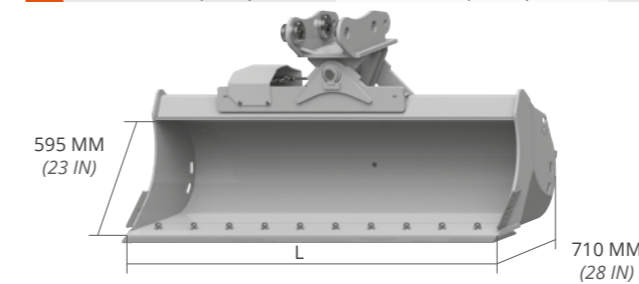


L MM (IN)	WEIGHT KG* (LB*)	CAP. SAE L (GAL)	ADAPTERS
1200 (47)	347 (764)	326 (86,1)	AF - CS
			CR - CM
			CW - CS JANUS PRO
1400 (55)	380 (838)	387 (102,2)	AF - CS
			CR - CM
			CW - CS JANUS PRO
1600 (63)	415 (915)	447 (118,1)	AF - CS
			CR - CM
			CW - CS JANUS PRO
1800 (71)	449 (991)	507 (133,9)	AF - CS
			CR - CM
			CW - CS JANUS PRO

### OPTIONAL



## SQR60 MIDI MACHINE WEIGHT 10,0 - 12,0 t (22046 - 26455 lb)

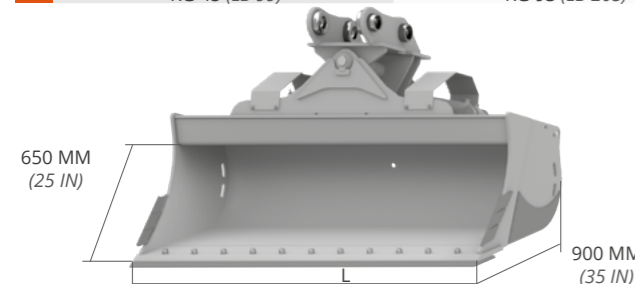
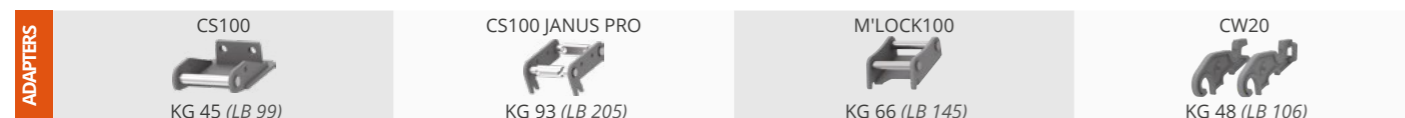


L MM (IN)	WEIGHT KG* (LB*)	CAP. SAE L (GAL)	ADAPTERS
1200 (47)	386 (851)	367 (97,0)	AF - CS
			CR - CM - CS JANUS PRO
			CW
1400 (55)	424 (935)	436 (115,2)	AF - CS
			CR - CM - CS JANUS PRO
			CW
1600 (63)	464 (1024)	504 (133,1)	AF - CS
			CR - CM - CS JANUS PRO
			CW
1800 (71)	502 (1108)	573 (151,4)	AF - CS
			CR - CM - CS JANUS PRO
			CW
2000 (79)	540 (1191)	641 (169,3)	AF - CS
			CR - CM - CS JANUS PRO
			CW

### OPTIONAL



## SQR65 HD EXCAVATOR MACHINE WEIGHT 12,0 - 18,0 t (26455 - 39683 lb)

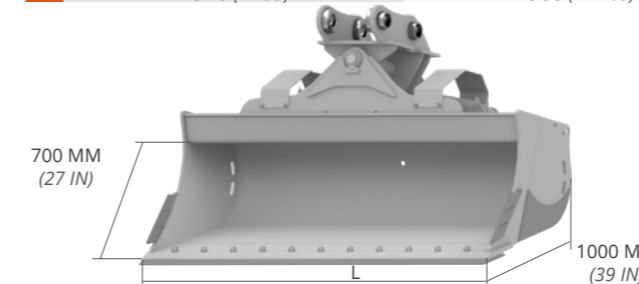
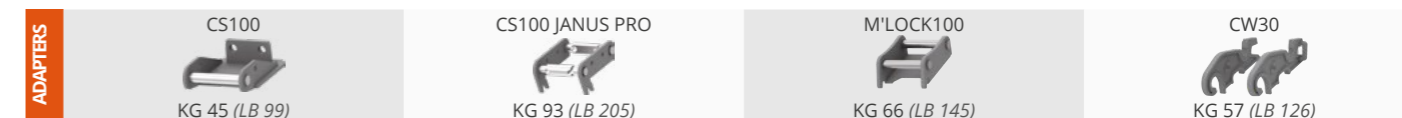


L MM (IN)	WEIGHT KG* (LB*)	CAP. SAE L (GAL)	ADAPTERS
1400 (55)	532 (1173)	631 (166,7)	AF - CM
			CS - CW
			CS JANUS PRO
1500 (59)	558 (1230)	665 (175,7)	AF - CM
			CS - CW
			CS JANUS PRO
1600 (63)	583 (1285)	699 (184,7)	AF - CM
			CS - CW
			CS JANUS PRO
1800 (71)	634 (1398)	767 (202,6)	AF - CM
			CS - CW
			CS JANUS PRO
2000 (79)	684 (1508)	835 (220,6)	AF - CM
			CS - CW
			CS JANUS PRO

### OPTIONAL



## SQR70 HD MACHINE WEIGHT 18,0 - 22,0 t (39683 - 48502 lb)



L MM (IN)	WEIGHT KG* (LB*)	CAP. SAE L (GAL)	ADAPTERS
1500 (59)	650 (1434)	780 (206,1)	AF - CM
			CS - CW
			CS JANUS PRO
1600 (63)	681 (1501)	820 (216,6)	AF - CM
			CS - CW
			CS JANUS PRO
1800 (71)	742 (1635)	900 (237,8)	AF - CM
			CS - CW
			CS JANUS PRO
2000 (79)	800 (1765)	980 (258,9)	AF - CM
			CS - CW
			CS JANUS PRO
2200 (87)	857 (1890)	1060 (280,0)	AF - CM
			CS - CW
			CS JANUS PRO

### OPTIONAL



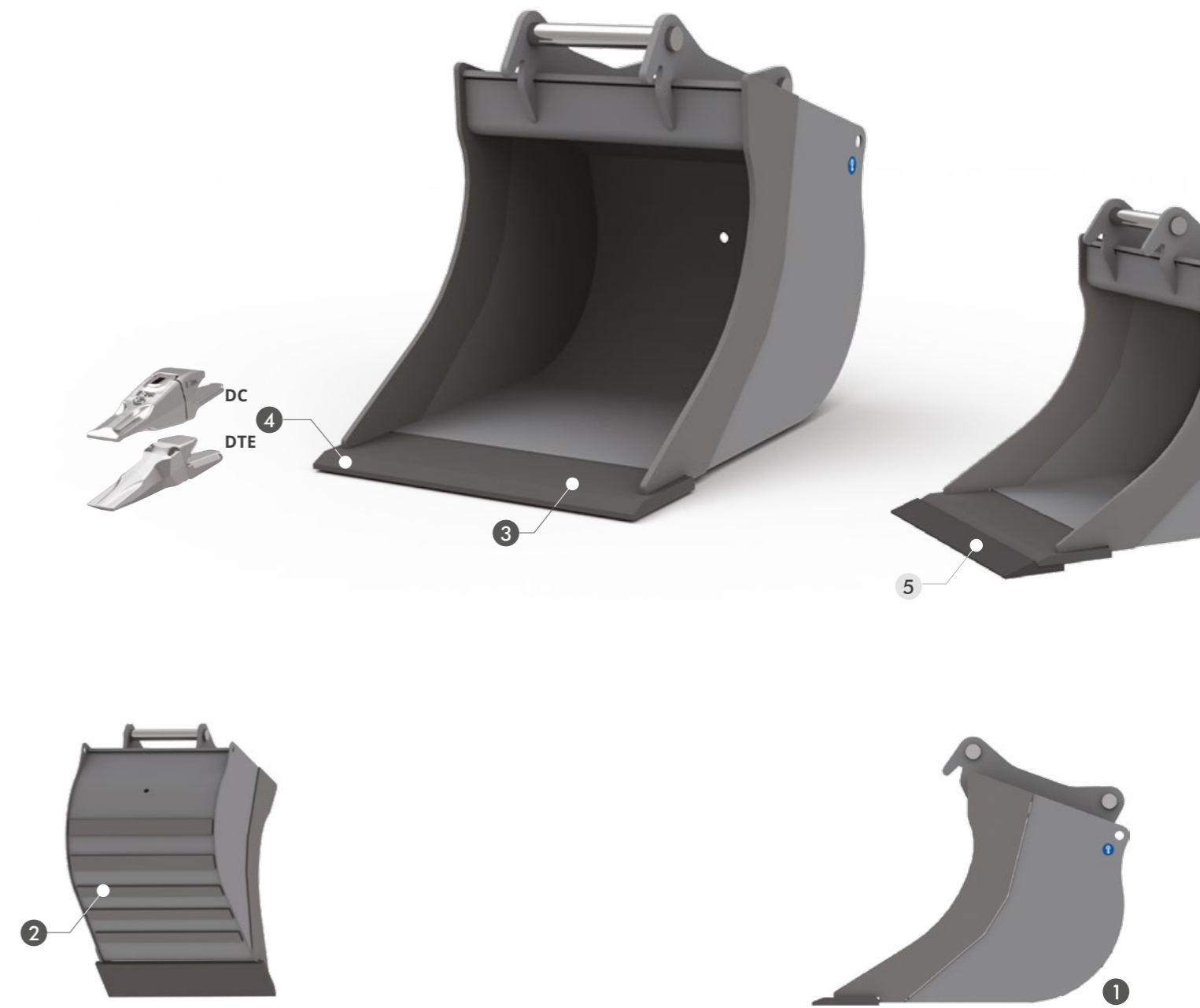
\* weight of the tank excluding attachment

\* weight of the tank excluding attachment



DIGGING BUCKET GENERAL DUTY	148	SCS GD	
CABLE BUCKET GENERAL DUTY	156	BS GD	
SKELETON BUCKET GENERAL DUTY	164	VS GD	
DITCH CLEANING BUCKET 8° GENERAL DUTY	172	SPS 8° GD	
DITCH CLEANING BUCKET 25° GENERAL DUTY	180	SPS 25° GD	
TILTING DITCH CLEANING BUCKET 8° GENERAL DUTY	188	SQS 8° GD	

DIGGING BUCKET HEAVY DUTY	199	SCS HD	
CABLE BUCKET HEAVY DUTY	204	BS HD	
DITCH CLEANING BUCKET 8° HEAVY DUTY	212	SPS 8° HD	
DITCH CLEANING BUCKET 25° HEAVY DUTY	220	SPS 25° HD	
TILTING DITCH CLEANING BUCKET 8° HEAVY DUTY	228	SQS 8° HD	



ITS ELONGATED PROFILE AVOIDS THAT THE GROUND STICKS TO THE BUCKET'S SIDE WALLS AND SIMPLIFIES THE DISCHARGE OF LOAMY AND WET MATERIALS. THE BLADE IS MADE OF HB400 FOR A HIGHER RESISTANCE TO WEAR.

**STANDARD TECHNICAL FEATURES**

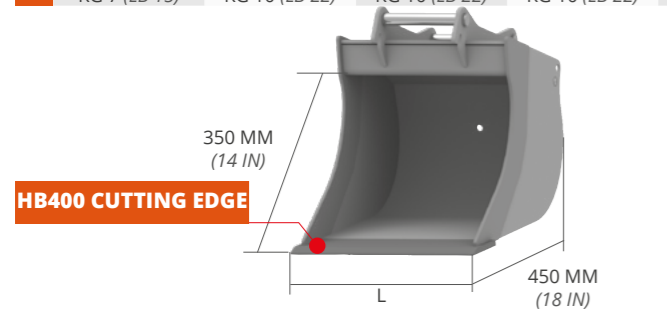
- 1 **ELONGATED PROFILE**
- 2 **REINFORCING STRIPS**  
THE HORIZONTAL REINFORCING STRIPS ON THE BUCKET'S REAR AND BOTTOM PROTECT THE BUCKET FROM WEAR AND INCREASE ITS RESISTANCE.
- 3 **HB400 CUTTING EDGE**
- 4 **DC TEETH DTE TEETH**

**OPTIONAL**

- 5 **HB500 WELDED ADDITIONAL CUTTING EDGE**  
RECOMMENDED TO WORK ON PARTICULARLY ABRASIVE SOILS.

MOD.	MIDI EXCAVATOR											
	SCS 35GD	SCS 40GD	SCS 48GD	SCS 60GD	SCS 67GD	SCS 71GD	SCS 75GD	SCS 80GD	SCS 85GD	SCS 92GD	SCS 100GD	SCS 110GD
TONS (LB)	0,8 - 1,5 (1764 - 3307)	1,5 - 2,0 (3307 - 4409)	2,0 - 3,0 (4409 - 6614)	3,0 - 4,0 (6614 - 8818)	4,0 - 6,0 (8818 - 13228)	6,0 - 7,5 (13228 - 16535)	7,5 - 9,0 (16535 - 19842)	9,0 - 12,0 (19842 - 26455)	12,0 - 14,0 (26455 - 30865)	12,0 - 14,0 (26455 - 30865)	14,0 - 18,0 (30865 - 39683)	18,0 - 22,0 (39683 - 48502)

## SCS35 GD MACHINE WEIGHT 0,8 - 1,5 (1764 - 3307 lb)

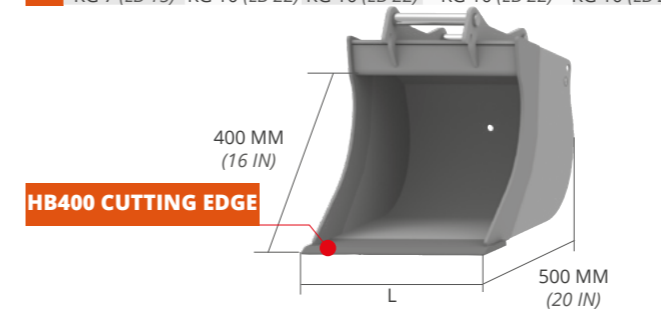


L MM (IN)	WEIGHT KG* (LB*)	CAP. SAE L (GAL)	TEETH N°	ADAPTERS
250 (10)	17 (37)	25 (6,6)	3	AF - AR - CS CR - S - CM CW - CS JANUS PRO
300 (12)	20 (44)	30 (7,9)	3	AF - AR - CS CR - S - CM CW - CS JANUS PRO
400 (16)	26 (57)	42 (11,1)	3	AF - AR - CS CR - S - CM CW - CS JANUS PRO
500 (20)	31 (68)	54 (14,3)	4	AF - AR - CS CR - S - CM CW - CS JANUS PRO

### OPTIONAL

5  
HB500 WELDED ADDITIONAL CUTTING EDGE

## SCS40 GD MACHINE WEIGHT 1,5 - 2,0 (3307 - 4409 lb)

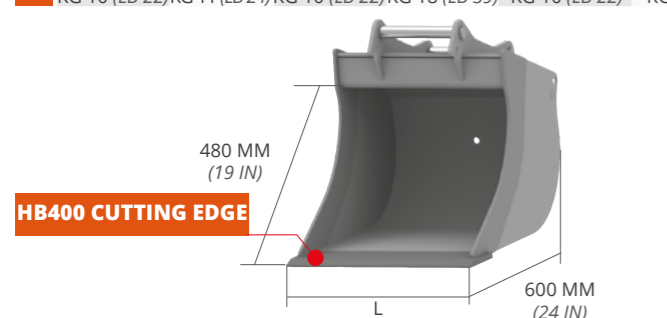


L MM (IN)	WEIGHT KG* (LB*)	CAP. SAE L (GAL)	TEETH N°	ADAPTERS
300 (12)	23 (51)	35 (9,2)	3	AF - AR - CS CR - S - CM CW - CS JANUS PRO
400 (16)	30 (66)	45 (11,8)	3	AF - AR - CS CR - S - CM CW - CS JANUS PRO
500 (20)	38 (84)	60 (16,8)	4	AF - AR - CS CR - S - CM CW - CS JANUS PRO
600 (24)	45 (99)	85 (22,4)	4	AF - AR - CS CR - S - CM CW - CS JANUS PRO

### OPTIONAL

5  
HB500 WELDED ADDITIONAL CUTTING EDGE

## SCS48 GD MACHINE WEIGHT 2,0 - 3,0 (4409 - 6614 lb)

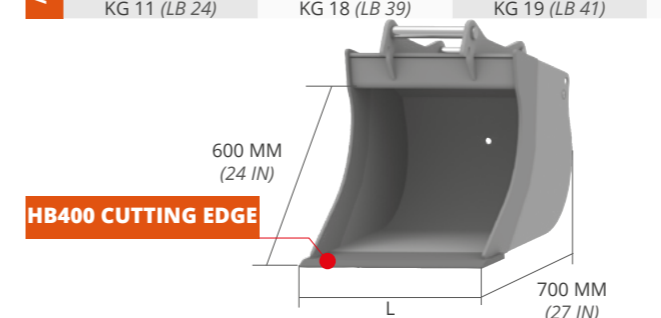


L MM (IN)	WEIGHT KG* (LB*)	CAP. SAE L (GAL)	TEETH N°	ADAPTERS
300 (12)	34 (75)	48 (12,7)	3	AF - AR - CS CR - S - CM CW - CS JANUS PRO
400 (16)	43 (95)	68 (17,9)	3	AF - AR - CS CR - S - CM CW - CS JANUS PRO
500 (20)	55 (121)	85 (22,4)	4	AF - AR - CS CR - S - CM CW - CS JANUS PRO
600 (24)	65 (143)	110 (29,0)	4	AF - AR - CS CR - S - CM CW - CS JANUS PRO
800 (31)	90 (199)	160 (42,2)	5	AF - AR - CS CR - S - CM CW - CS JANUS PRO

### OPTIONAL

5  
HB500 WELDED ADDITIONAL CUTTING EDGE

## SCS60 GD MACHINE WEIGHT 3,0 - 4,0 (6614 - 8818 lb)



L MM (IN)	WEIGHT KG* (LB*)	CAP. SAE L (GAL)	TEETH N°	ADAPTERS
300 (12)	44 (97)	78 (20,6)	3	AF - AR - CS CR - S - CM CW - CS JANUS PRO
400 (16)	54 (119)	105 (27,7)	3	AF - AR - CS CR - S - CM CW - CS JANUS PRO
500 (20)	66 (146)	140 (36,9)	4	AF - AR - CS CR - S - CM CW - CS JANUS PRO
600 (24)	80 (176)	165 (43,5)	4	AF - AR - CS CR - S - CM CW - CS JANUS PRO
800 (31)	100 (220)	225 (59,4)	5	AF - AR - CS CR - S - CM CW - CS JANUS PRO

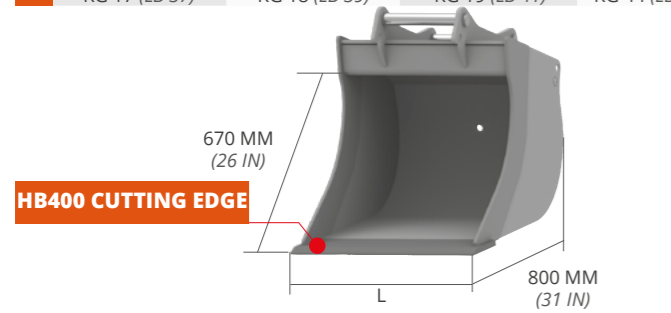
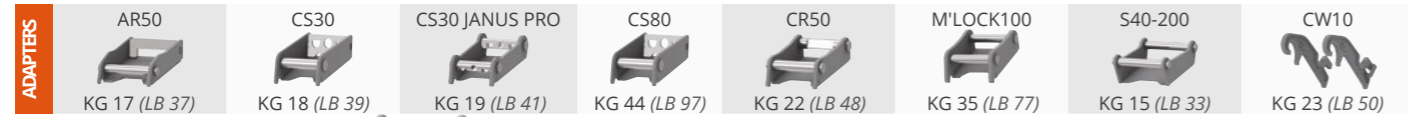
### OPTIONAL

5  
HB500 WELDED ADDITIONAL CUTTING EDGE

\* weight of the tank excluding attachment

\* weight of the tank excluding attachment

## SCS67 GD MACHINE WEIGHT 4,0 - 6,0 (8818 - 13228 lb)

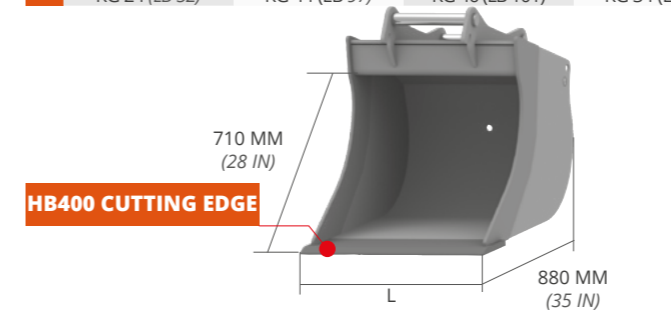
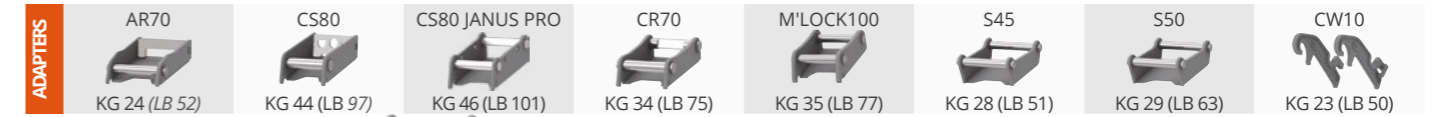


L MM (IN)	WEIGHT KG* (LB*)	CAP. SAE L (GAL)	TEETH N°	ADAPTERS
300 (12)	65 (143)	90 (23,7)	3	AF - AR - CS CR - S - CM CW - CS JANUS PRO
400 (16)	73 (161)	130 (34,3)	3	AF - AR - CS CR - S - CM CW - CS JANUS PRO
500 (20)	91 (201)	170 (44,9)	4	AF - AR - CS CR - S - CM CW - CS JANUS PRO
600 (24)	106 (234)	200 (52,8)	4	AF - AR - CS CR - S - CM CW - CS JANUS PRO
800 (31)	140 (309)	280 (73,9)	5	AF - AR - CS CR - S - CM CW - CS JANUS PRO

### OPTIONAL

5  
HB500 WELDED ADDITIONAL CUTTING EDGE

## SCS71 GD MACHINE WEIGHT 6,0 - 7,5 (13228 - 16535 lb)

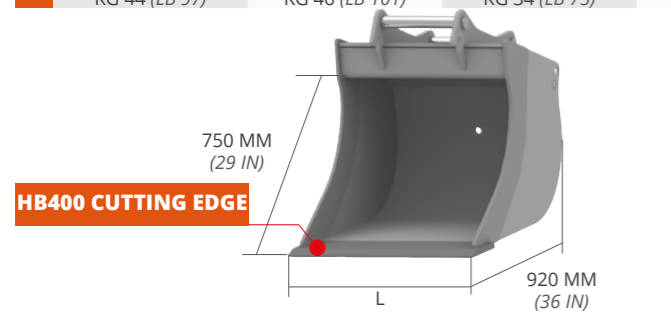


L MM (IN)	WEIGHT KG* (LB*)	CAP. SAE L (GAL)	TEETH N°	ADAPTERS
400 (16)	94 (207)	150 (39,6)	3	AF - AR - CS CR - S - CM CW - CS JANUS PRO
500 (20)	114 (251)	190 (50,2)	4	AF - AR - CS CR - S - CM CW - CS JANUS PRO
600 (24)	136 (300)	230 (60,7)	4	AF - AR - CS CR - S - CM CW - CS JANUS PRO
700 (28)	156 (344)	260 (68,7)	5	AF - AR - CS CR - S - CM CW - CS JANUS PRO
800 (31)	174 (384)	315 (83,2)	5	AF - AR - CS CR - S - CM CW - CS JANUS PRO

### OPTIONAL

5  
HB500 WELDED ADDITIONAL CUTTING EDGE

## SCS75 GD MACHINE WEIGHT 7,5 - 9,0 (16535 - 1982 lb)

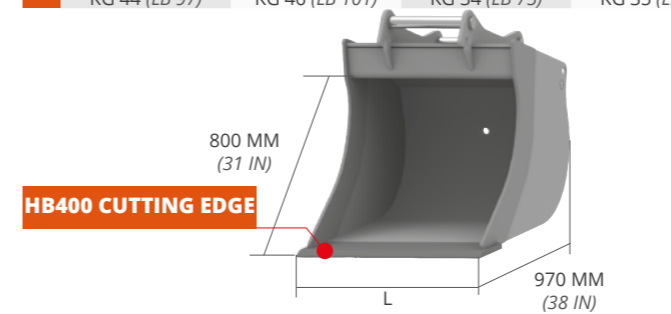
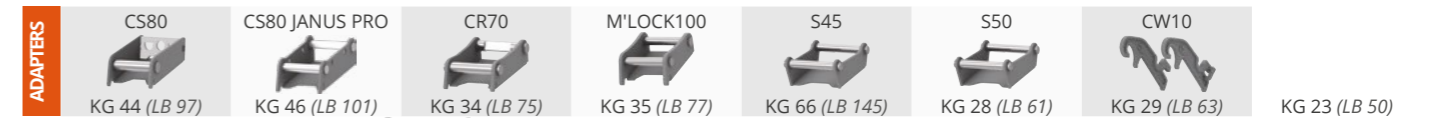


L MM (IN)	WEIGHT KG* (LB*)	CAP. SAE L (GAL)	TEETH N°	ADAPTERS
400 (16)	108 (238)	165 (43,6)	3	AF - CS CR - S - CM CW - CS JANUS PRO
500 (20)	128 (282)	210 (55,4)	4	AF - CS CR - S - CM CW - CS JANUS PRO
600 (24)	150 (331)	260 (68,7)	4	AF - CS CR - S - CM CW - CS JANUS PRO
700 (28)	175 (386)	300 (79,2)	5	AF - CS CR - S - CM CW - CS JANUS PRO
800 (31)	194 (427)	350 (94,2)	5	AF - CS CR - S - CM CW - CS JANUS PRO
1000 (39)	231 (509)	450 (118,9)	5	AF - CS CR - S - CM CW - CS JANUS PRO

### OPTIONAL

5  
HB500 WELDED ADDITIONAL CUTTING EDGE

## SCS80 GD MACHINE WEIGHT 9,0 - 12,0 (1982 - 26455 lb)



L MM (IN)	WEIGHT KG* (LB*)	CAP. SAE L (GAL)	TEETH N°	ADAPTERS
400 (16)	118 (260)	190 (50,2)	3	AF - CS CR - S - CM CW - CS JANUS PRO
500 (20)	135 (298)	245 (64,7)	3	AF - CS CR - S - CM CW - CS JANUS PRO
600 (24)	157 (346)	300 (79,2)	4	AF - CS CR - S - CM CW - CS JANUS PRO
700 (28)	185 (408)	350 (92,4)	4	AF - CS CR - S - CM CW - CS JANUS PRO
800 (31)	207 (456)	400 (105,7)	5	AF - CS CR - S - CM CW - CS JANUS PRO
1000 (39)	250 (551)	500 (132,1)	5	AF - CS CR - S - CM CW - CS JANUS PRO

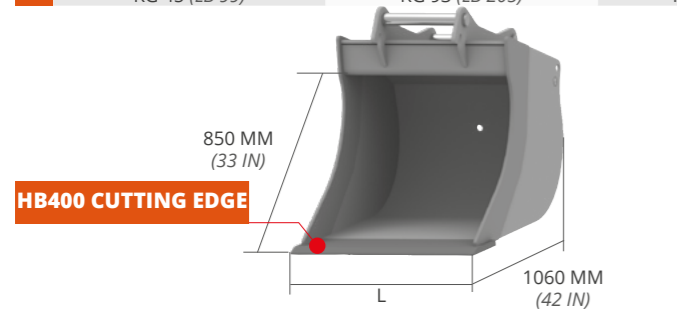
### OPTIONAL

5  
HB500 WELDED ADDITIONAL CUTTING EDGE

\* weight of the tank excluding attachment

\* weight of the tank excluding attachment

## SCS85 GD **MIDI** MACHINE WEIGHT 12,0 - 14,0 (26455 - 30865 lb)

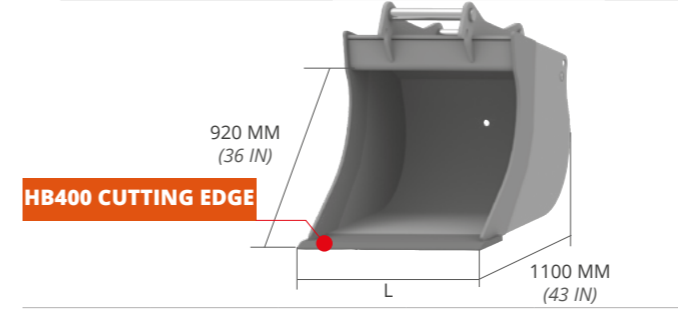


L MM (IN)	WEIGHT KG* (LB*)	CAP. SAE L (GAL)	TEETH N°	ADAPTERS
500 (20)	175 (386)	265 (70,0)	3	AF - S - CM CS - CW CS JANUS PRO
600 (24)	200 (441)	330 (87,1)	4	AF - S - CM CS - CW CS JANUS PRO
700 (28)	228 (503)	400 (105,7)	4	AF - S - CM CS - CW CS JANUS PRO
800 (31)	253 (558)	450 (118,8)	5	AF - S - CM CS - CW CS JANUS PRO
900 (39)	278 (613)	500 (132,1)	5	AF - S - CM CS - CW CS JANUS PRO
1000 (39)	305 (672)	580 (153,2)	5	AF - S - CM CS - CW CS JANUS PRO
1200 (47)	340 (750)	740 (195,5)	6	AF - S - CM CS - CW CS JANUS PRO

### OPTIONAL

5  
HB500 WELDED ADDITIONAL CUTTING EDGE

## SCS92 GD **EXCAVATOR** MACHINE WEIGHT 12,0 - 14,0 (26455 - 30865 lb)

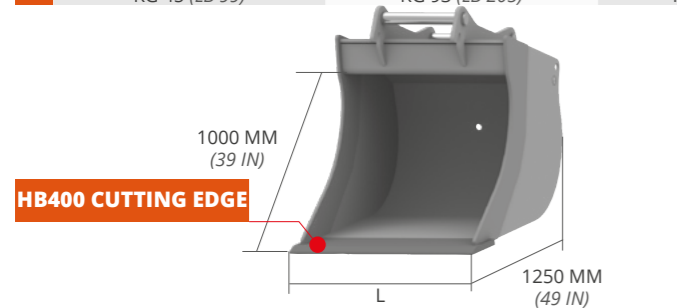


L MM (IN)	WEIGHT KG* (LB*)	CAP. SAE L (GAL)	TEETH N.	ADAPTERS
600 (24)	228 (503)	380 (100,4)	4	AF - S - CM CS - CW CS JANUS PRO
700 (28)	251 (553)	450 (118,9)	4	AF - S - CM CS - CW CS JANUS PRO
800 (31)	281 (619)	560 (147,9)	4	AF - S - CM CS - CW CS JANUS PRO
900 (35)	309 (681)	620 (163,8)	5	AF - S - CM CS - CW CS JANUS PRO
1000 (39)	350 (772)	700 (184,9)	5	AF - S - CM CS - CW CS JANUS PRO
1200 (47)	403 (888)	900 (237,7)	6	AF - S - CM CS - CW CS JANUS PRO

### OPTIONAL

5  
HB500 WELDED ADDITIONAL CUTTING EDGE

## SCS100 GD MACHINE WEIGHT 14,0 - 18,0 t (30865 - 39683 lb)

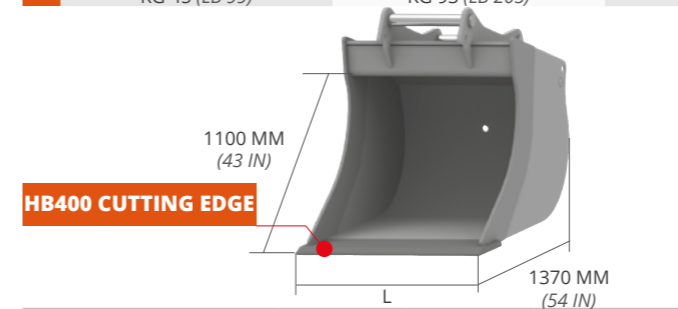


L MM (IN)	WEIGHT KG* (LB*)	CAP. SAE L (GAL)	TEETH N.	ADAPTERS
600 (24)	316 (697)	450 (118,9)	3	AF - S - CM CS - CW CS JANUS PRO
700 (28)	355 (783)	535 (141,3)	4	AF - S - CM CS - CW CS JANUS PRO
800 (31)	394 (869)	620 (163,7)	4	AF - S - CM CS - CW CS JANUS PRO
900 (35)	433 (955)	710 (187,5)	4	AF - S - CM CS - CW CS JANUS PRO
1000 (39)	472 (1041)	800 (211,3)	5	AF - S - CM CS - CW CS JANUS PRO
1200 (47)	550 (1213)	980 (258,8)	5	AF - S - CM CS - CW CS JANUS PRO

### OPTIONAL

5  
HB500 WELDED ADDITIONAL CUTTING EDGE

## SCS110 GD MACHINE WEIGHT 18,0 - 22,0 t (39683 - 48502 lb)



L MM (IN)	WEIGHT KG* (LB*)	CAP. SAE L (GAL)	TEETH N.	ADAPTERS
600 (24)	412 (908)	480 (126,8)	3	AF - S - CM CS - CW CS JANUS PRO
800 (31)	502 (1107)	690 (182,3)	4	AF - S - CM CS - CW CS JANUS PRO
1000 (39)	592 (1305)	900 (237,7)	5	AF - S - CM CS - CW CS JANUS PRO
1200 (47)	682 (1504)	1110 (293,2)	5	AF - S - CM CS - CW CS JANUS PRO
1300 (52)	727 (1603)	1220 (322,2)	6	AF - S - CM CS - CW CS JANUS PRO
1400 (55)	772 (1702)	1330 (351,3)	6	AF - S - CM CS - CW CS JANUS PRO

### OPTIONAL


5  
HB500 WELDED ADDITIONAL CUTTING EDGE

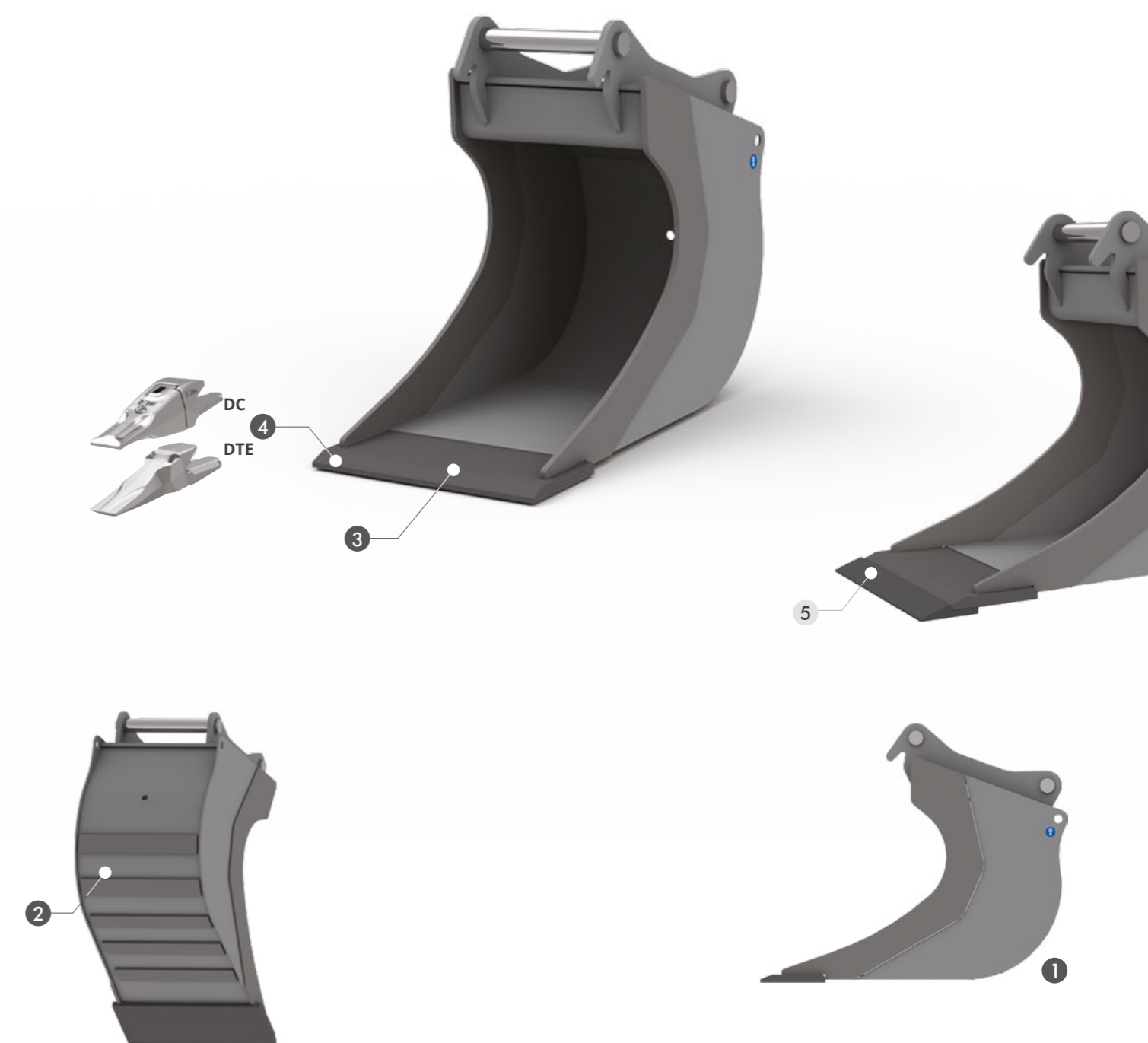
\* weight of the tank excluding attachment

\* weight of the tank excluding attachment





 HB400



ITS ELONGATED PROFILE AVOIDS THAT THE GROUND STICKS TO THE BUCKET'S SIDE WALLS AND SIMPLIFIES THE DISCHARGE OF LOAMY AND WET MATERIALS. ITS HOLLOW SIDE WALLS HELP THE CROSSING OF GAS AND HYDRAULIC PIPES OR PLANTS, ETC. THE BLADE IS MADE OF HB400 FOR A HIGHER RESISTANCE TO WEAR.

**STANDARD TECHNICAL FEATURES**

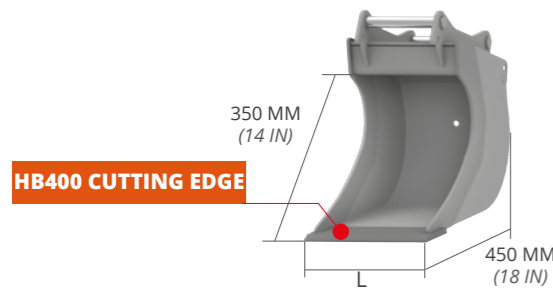
- 1 ELONGATED PROFILE**
- 2 REINFORCING STRIPS**  
THE HORIZONTAL REINFORCING STRIPS ON THE BUCKET'S REAR AND BOTTOM PROTECT THE BUCKET FROM WEAR AND INCREASE ITS RESISTANCE.
- 3 HB400 CUTTING EDGE**
- 4 DC TEETH DTE TEETH**

**OPTIONAL**

- 5 HB500 WELDED ADDITIONAL CUTTING EDGE**  
RECOMMENDED TO WORK ON PARTICULARLY ABRASIVE SOILS.

MOD.	MIDI EXCAVATOR								EXCAVATOR			
	BS 35GD	BS 40GD	BS 48GD	BS 60GD	BS 67GD	BS 71GD	BS 75GD	BS 80GD	BS 85GD	BS 92GD	BS 100GD	BS 110GD
TONS (LB)	0,8 - 1,5 (1764 - 3307)	1,5 - 2,0 (3307 - 4409)	2,0 - 3,0 (4409 - 6614)	3,0 - 4,0 (6614 - 8818)	4,0 - 6,0 (8818 - 13228)	6,0 - 7,5 (13228 - 16535)	7,5 - 9,0 (16535 - 19842)	9,0 - 12,0 (19842 - 26455)	12,0 - 14,0 (26455 - 30865)	12,0 - 14,0 (26455 - 30865)	14,0 - 18,0 (30865 - 39683)	18,0 - 22,0 (39683 - 48502)

## BS35 GD MACHINE WEIGHT 0,8 - 1,5 (1764 - 3307 lb)

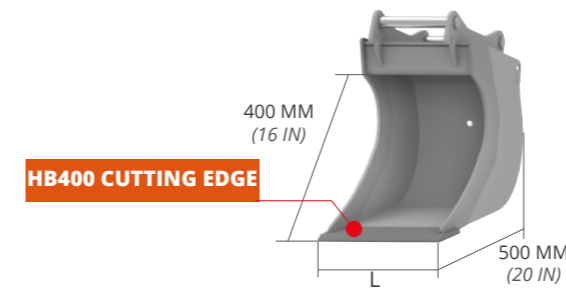


L MM (IN)	WEIGHT KG* (LB*)	CAP. SAE L (GAL)	TEETH N°	ADAPTERS
250 (10)	20 (44)	24 (6,3)	3	AF - AR - CS CR - S - CM CW - CS JANUS PRO
300 (12)	22 (48)	29 (7,7)	3	AF - AR - CS CR - S - CM CW - CS JANUS PRO
350 (14)	25 (55)	35 (9,2)	3	AF - AR - CS CR - S - CM CW - CS JANUS PRO
400 (16)	28 (62)	41 (10,7)	3	AF - AR - CS CR - S - CM CW - CS JANUS PRO

### OPTIONAL

5  
HB500 WELDED ADDITIONAL CUTTING EDGE

## BS40 GD MACHINE WEIGHT 1,5 - 2,0 (3307 - 4409 lb)

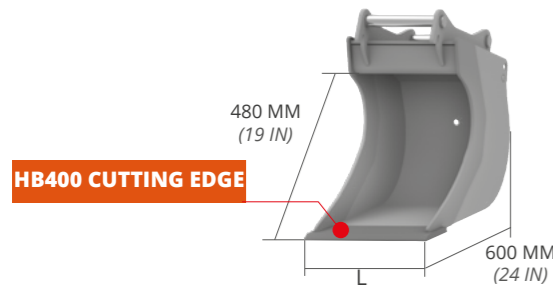


L MM (IN)	WEIGHT KG* (LB*)	CAP. SAE L (GAL)	TEETH N°	ADAPTERS
250 (10)	23 (51)	24 (6,3)	3	AF - AR - CS CR - S - CM CW - CS JANUS PRO
300 (12)	25 (55)	30 (7,9)	3	AF - AR - CS CR - S - CM CW - CS JANUS PRO
350 (14)	27 (59)	37 (9,7)	3	AF - AR - CS CR - S - CM CW - CS JANUS PRO
400 (16)	30 (66)	44 (11,6)	3	AF - AR - CS CR - S - CM CW - CS JANUS PRO

### OPTIONAL

5  
HB500 WELDED ADDITIONAL CUTTING EDGE

## BS48 GD MACHINE WEIGHT 2,0 - 3,0 (4409 - 6614 lb)

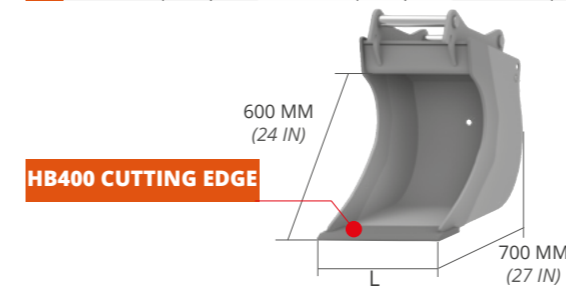


L MM (IN)	WEIGHT KG* (LB*)	CAP. SAE L (GAL)	TEETH N°	ADAPTERS
250 (10)	33 (73)	36 (9,5)	3	AF - AR - CS CR - S - CM CW - CS JANUS PRO
300 (12)	38 (84)	45 (,)	3	AF - AR - CS CR - S - CM CW - CS JANUS PRO
350 (14)	42 (92)	54 (11,8)	3	AF - AR - CS CR - S - CM CW - CS JANUS PRO
400 (16)	48 (106)	63 (16,6)	3	AF - AR - CS CR - S - CM CW - CS JANUS PRO
500 (20)	58 (128)	83 (21,9)	4	AF - AR - CS CR - S - CM CW - CS JANUS PRO

### OPTIONAL

5  
HB500 WELDED ADDITIONAL CUTTING EDGE

## BS60 GD MACHINE WEIGHT 3,0 - 4,0 (6614 - 8818 lb)



L MM (IN)	WEIGHT KG* (LB*)	CAP. SAE L (GAL)	TEETH N°	ADAPTERS
250 (10)	40 (88)	54 (14,3)	3	AF - AR - CS CR - S - CM CW - CS JANUS PRO
300 (12)	45 (99)	66 (17,4)	3	AF - AR - CS CR - S - CM CW - CS JANUS PRO
350 (14)	51 (112)	79 (20,9)	3	AF - AR - CS CR - S - CM CW - CS JANUS PRO
400 (16)	57 (126)	93 (24,6)	3	AF - AR - CS CR - S - CM CW - CS JANUS PRO
500 (20)	68 (150)	121 (31,9)	4	AF - AR - CS CR - S - CM CW - CS JANUS PRO

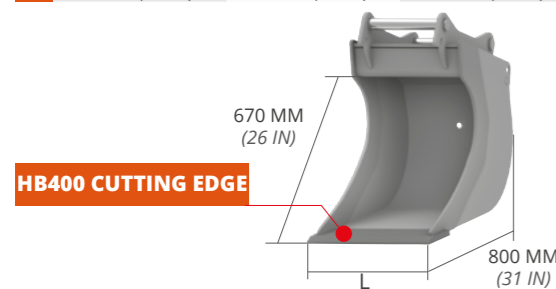
### OPTIONAL

5  
HB500 WELDED ADDITIONAL CUTTING EDGE

\* weight of the tank excluding attachment

\* weight of the tank excluding attachment

## BS67 GD MACHINE WEIGHT 4,0 - 6,0 (8818 - 13228 lb)

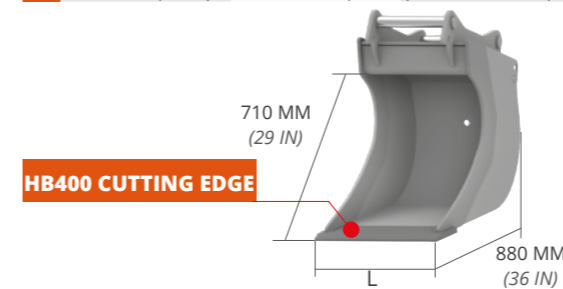


L MM (IN)	WEIGHT KG* (LB*)	CAP. SAE L (GAL)	TEETH N°	ADAPTERS
300 (12)	60 (132)	78 (20,6)	3	AF - AR - CS CR - S - CM CW - CS JANUS PRO
350 (14)	69 (152)	95 (25,1)	3	AF - AR - CS CR - S - CM CW - CS JANUS PRO
400 (16)	78 (172)	111 (29,3)	3	AF - AR - CS CR - S - CM CW - CS JANUS PRO
500 (20)	95 (209)	146 (38,5)	4	AF - AR - CS CR - S - CM CW - CS JANUS PRO

### OPTIONAL

5  
HB500 WELDED ADDITIONAL CUTTING EDGE

## BS71 GD MACHINE WEIGHT 6,0 - 7,5 (13228 - 16535 lb)

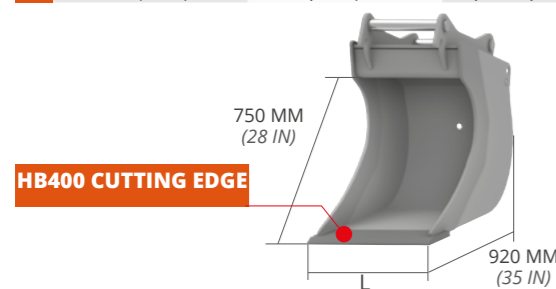


L MM (IN)	WEIGHT KG* (LB*)	CAP. SAE L (GAL)	TEETH N°	ADAPTERS
350 (14)	92 (203)	117 (30,9)	3	AF - AR - CS CR - S - CM CW - CS JANUS PRO
400 (16)	102 (225)	138 (36,5)	3	AF - AR - CS CR - S - CM CW - CS JANUS PRO
500 (20)	120 (264)	181 (47,8)	4	AF - AR - CS CR - S - CM CW - CS JANUS PRO
600 (24)	140 (309)	226 (59,7)	4	AF - AR - CS CR - S - CM CW - CS JANUS PRO

### OPTIONAL

5  
HB500 WELDED ADDITIONAL CUTTING EDGE

## BS75 GD MACHINE WEIGHT 7,5 - 9,0 (16535 - 1982 lb)

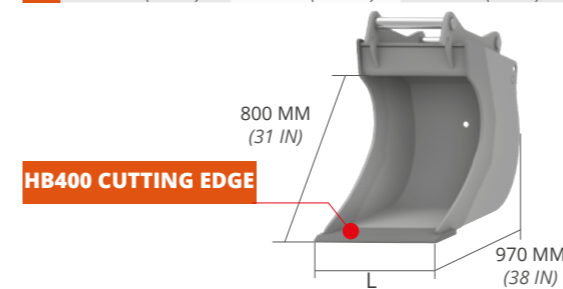
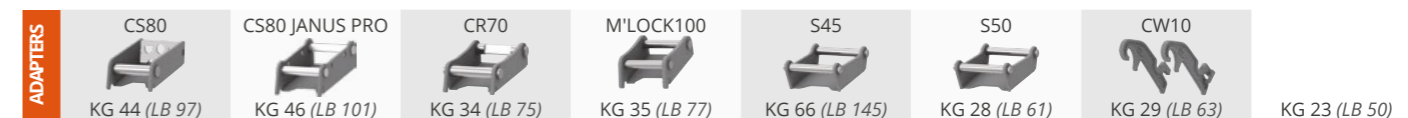


L MM (IN)	WEIGHT KG* (LB*)	CAP. SAE L (GAL)	TEETH N°	ADAPTERS
350 (14)	88 (194)	112 (29,6)	3	AF - CS CR - S - CM CW - CS JANUS PRO
400 (16)	96 (212)	132 (34,9)	3	AF - CS CR - S - CM CW - CS JANUS PRO
500 (20)	116 (255)	172 (45,4)	4	AF - CS CR - S - CM CW - CS JANUS PRO
600 (24)	133 (293)	215 (56,7)	4	AF - CS CR - S - CM CW - CS JANUS PRO

### OPTIONAL

5  
HB500 WELDED ADDITIONAL CUTTING EDGE

## BS80 GD MACHINE WEIGHT 9,0 - 12,0 (1982 - 26455 lb)



L MM (IN)	WEIGHT KG* (LB*)	CAP. SAE L (GAL)	TEETH N°	ADAPTERS
400 (16)	115 (253)	161 (42,5)	3	AF - CS CR - S - CM CW - CS JANUS PRO
500 (20)	140 (309)	210 (55,4)	3	AF - CS CR - S - CM CW - CS JANUS PRO
600 (24)	165 (364)	261 (68,9)	4	AF - CS CR - S - CM CW - CS JANUS PRO

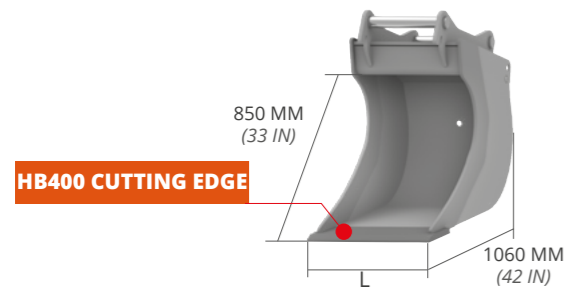
### OPTIONAL

5  
HB500 WELDED ADDITIONAL CUTTING EDGE

\* weight of the tank excluding attachment

\* weight of the tank excluding attachment

## BS85 GD MIDI MACHINE WEIGHT 12,0 - 14,0 (26455 - 30865 lb)

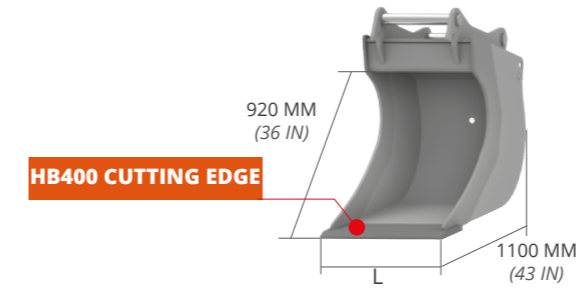


L MM (IN)	WEIGHT KG* (LB*)	CAP. SAE L (GAL)	TEETH N°	ADAPTERS
400 (16)	145 (320)	184 (48,6)	3	AF - S - CM CS - CW CS JANUS PRO
500 (20)	170 (375)	242 (63,9)	3	AF - S - CM CS - CW CS JANUS PRO
600 (24)	195 (430)	301 (79,5)	4	AF - S - CM CS - CW CS JANUS PRO

### OPTIONAL

5  
HB500 WELDED ADDITIONAL CUTTING EDGE

## BS92 GD EXCAVATOR MACHINE WEIGHT 12,0 - 14,0 (26455 - 30865 lb)

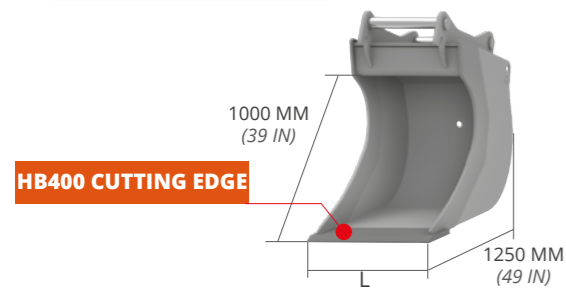


L MM (IN)	WEIGHT KG* (LB*)	CAP. SAE L (GAL)	TEETH N°	ADAPTERS
400 (16)	162 (357)	206 (54,4)	3	AF - S - CM CS - CW CS JANUS PRO
500 (20)	195 (430)	270 (71,3)	3	AF - S - CM CS - CW CS JANUS PRO
600 (24)	223 (492)	337 (89,0)	4	AF - S - CM CS - CW CS JANUS PRO

### OPTIONAL

5  
HB500 WELDED ADDITIONAL CUTTING EDGE

## BS100 GD MACHINE WEIGHT 14,0 - 18,0 t (30865 - 39683 lb)

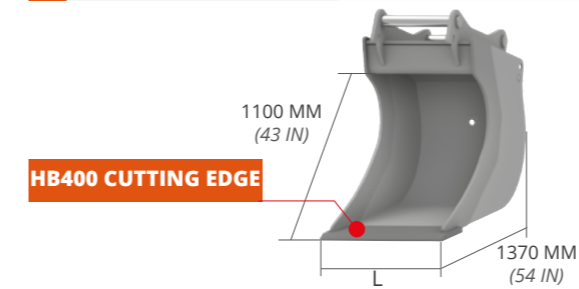


L MM (IN)	WEIGHT KG* (LB*)	CAP. SAE L (GAL)	TEETH N°	ADAPTERS
400 (16)	230 (507)	245 (64,7)	3	AF - S - CM CS - CW CS JANUS PRO
500 (20)	268 (591)	320 (84,5)	3	AF - S - CM CS - CW CS JANUS PRO
600 (24)	306 (675)	398 (105,1)	3	AF - S - CM CS - CW CS JANUS PRO

### OPTIONAL

5  
HB500 WELDED ADDITIONAL CUTTING EDGE

## BS110 GD MACHINE WEIGHT 18,0 - 22,0 t (39683 - 48502 lb)



L MM (IN)	WEIGHT KG* (LB*)	CAP. SAE L (GAL)	TEETH N°	ADAPTERS
400 (16)	300 (661)	283 (74,8)	3	AF - S - CM CS - CW CS JANUS PRO
500 (20)	345 (761)	372 (98,3)	3	AF - S - CM CS - CW CS JANUS PRO
600 (24)	390 (860)	464 (122,6)	3	AF - S - CM CS - CW CS JANUS PRO


### OPTIONAL

5  
HB500 WELDED ADDITIONAL CUTTING EDGE

\* weight of the tank excluding attachment

\* weight of the tank excluding attachment



 HB400



ITS ELONGATED PROFILE AVOIDS THAT THE GROUND STICKS TO THE BUCKET'S SIDE WALLS AND SIMPLIFIES THE DISCHARGE OF LOAMY AND WET MATERIALS. ITS HOLLOW SIDE WALLS HELP THE CROSSING OF GAS AND HYDRAULIC PIPES OR PLANTS, ETC. THE BLADE IS MADE OF HB400 FOR A HIGHER RESISTANCE TO WEAR.

### STANDARD TECHNICAL FEATURES

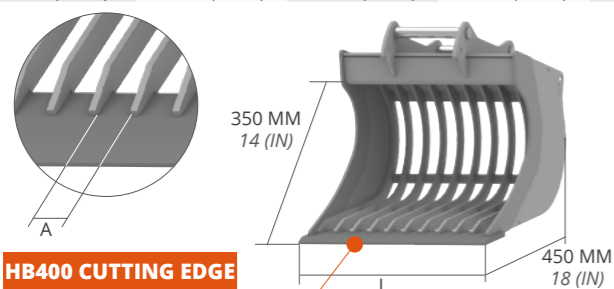
- 1 **ELONGATED PROFILE**
- 2 **HB400 CUTTING EDGE**
- 3 **DC TEETH DTE TEETH**

### OPTIONAL

- 4 **HB500 WELDED ADDITIONAL CUTTING EDGE**  
RECOMMENDED TO WORK ON PARTICULARLY ABRASIVE SOILS.

MOD.	MIDI EXCAVATOR								EXCAVATOR			
	VS 35GD	VS 40GD	VS 48GD	VS 60GD	VS 67GD	VS 71GD	VS 75GD	VS 80GD	VS 85GD	VS 92GD	VS 100GD	VS 110GD
TONS (LB)	0,8 - 1,5 (1764 - 3307)	1,5 - 2,0 (3307 - 4409)	2,0 - 3,0 (4409 - 6614)	3,0 - 4,0 (6614 - 8818)	4,0 - 6,0 (8818 - 13228)	6,0 - 7,5 (13228 - 16535)	7,5 - 9,0 (16535 - 19842)	9,0 - 12,0 (19842 - 26455)	12,0 - 14,0 (26455 - 30865)	12,0 - 14,0 (26455 - 30865)	14,0 - 18,0 (30865 - 39683)	18,0 - 22,0 (39683 - 48502)

## VS35 GD MACHINE WEIGHT 0,8 - 1,5 (1764 - 3307 lb)



HB400 CUTTING EDGE

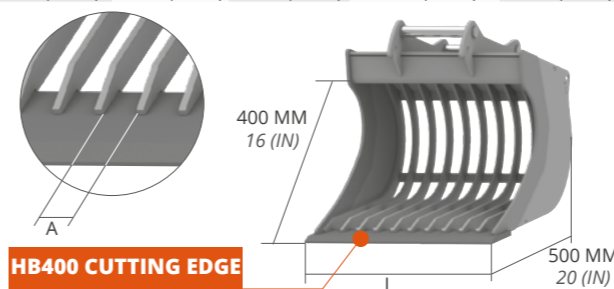
### OPTIONAL

5

HB500 WELDED ADDITIONAL CUTTING EDGE

L MM (IN)	A MM (IN)	WEIGHT KG* (LB*)	CAP. SAE L (GAL)	TEETH N°	ADAPTERS
500 (20)	60 (2,4)	33 (73)	55 (14,5)	4	AF - AR - CS
					CR - S - CM
					CW - CS JANUS PRO
600 (24)	50 (2,0)	38 (84)	68 (17,9)	4	AF - AR - CS
					CR - S - CM
					CW - CS JANUS PRO

## VS40 GD MACHINE WEIGHT 1,5 - 2,0 (3307 - 4409 lb)



HB400 CUTTING EDGE

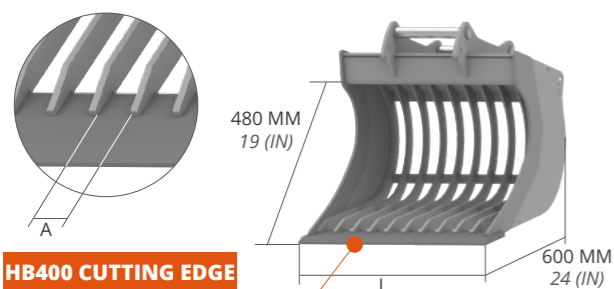
### OPTIONAL

5

HB500 WELDED ADDITIONAL CUTTING EDGE

L MM (IN)	A MM (IN)	WEIGHT KG* (LB*)	CAP. SAE L (GAL)	TEETH N°	ADAPTERS
500 (20)	50 (2,0)	39 (86)	59 (15,5)	4	AF - AR - CS
					CR - S - CM
					CW - CS JANUS PRO
600 (24)	50 (2,0)	45 (99)	79 (20,8)	4	AF - AR - CS
					CR - S - CM
					CW - CS JANUS PRO

## VS48 GD MACHINE WEIGHT 2,0 - 3,0 (4409 - 6614 lb)



HB400 CUTTING EDGE

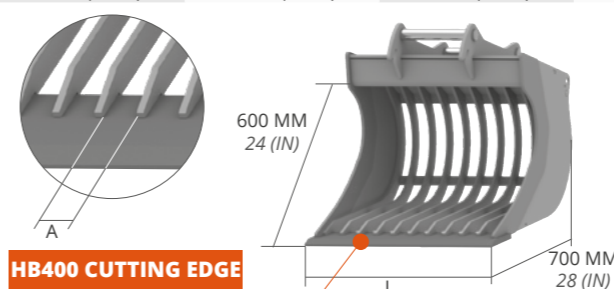
### OPTIONAL

5

HB500 WELDED ADDITIONAL CUTTING EDGE

L MM (IN)	A MM (IN)	WEIGHT KG* (LB*)	CAP. SAE L (GAL)	TEETH N°	ADAPTERS
600 (24)	50 (2,0)	70 (154)	105 (27,7)	4	AF - AR - CS
					CR - S - CM
					CW - CS JANUS PRO
800 (31)	52 (2,1)	94 (207)	152 (40,1)	5	AF - AR - CS
					CR - S - CM
					CW - CS JANUS PRO

## VS60 GD MACHINE WEIGHT 3,0 - 4,0 (6614 - 8818 lb)



HB400 CUTTING EDGE

### OPTIONAL

5

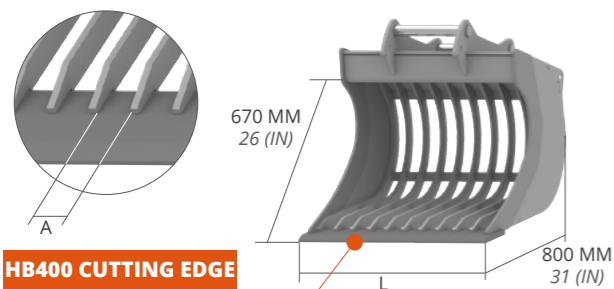
HB500 WELDED ADDITIONAL CUTTING EDGE

L MM (IN)	A MM (IN)	WEIGHT KG* (LB*)	CAP. SAE L (GAL)	TEETH N°	ADAPTERS
600 (24)	51 (2,0)	89 (196)	151 (39,9)	4	AF - AR - CS
					CR - S - CM
					CW - CS JANUS PRO
700 (28)	55 (2,2)	99 (218)	184 (48,6)	5	AF - AR - CS
					CR - S - CM
					CW - CS JANUS PRO
800 (31)	52 (2,1)	113 (249)	222 (58,6)	5	AF - AR - CS
					CR - S - CM
					CW - CS JANUS PRO

\* weight of the tank excluding attachment

\* weight of the tank excluding attachment

## VS67 GD MACHINE WEIGHT 4,0 - 6,0 (8818 - 13228 lb)



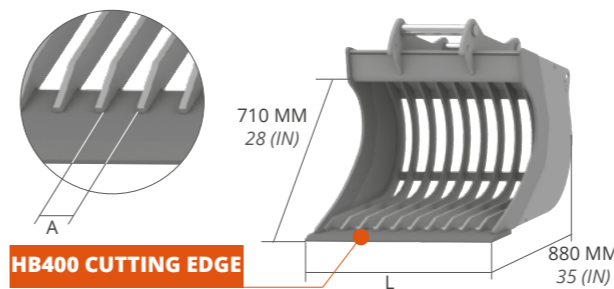
### OPTIONAL

5

HB500 WELDED ADDITIONAL CUTTING EDGE

L MM (IN)	A MM (IN)	WEIGHT KG* (LB*)	CAP. SAE L (GAL)	TEETH N°	ADAPTERS
800 (31)	61 (2,4)	150 (331)	261 (68,9)	5	AF - AR - CS
					CR - S - CM
					CW - CS JANUS PRO
900 (35)	57 (2,2)	169 (373)	306 (80,8)	6	AF - AR - CS
					CR - S - CM
					CW - CS JANUS PRO
1000 (39)	60 (2,4)	184 (406)	351 (92,7)	6	AF - AR - CS
					CR - S - CM
					CW - CS JANUS PRO

## VS71 GD MACHINE WEIGHT 6,0 - 7,5 (13228 - 16535 lb)



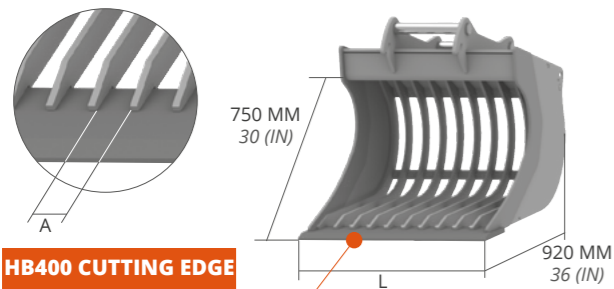
### OPTIONAL

5

HB500 WELDED ADDITIONAL CUTTING EDGE

L MM (IN)	A MM (IN)	WEIGHT KG* (LB*)	CAP. SAE L (GAL)	TEETH N°	ADAPTERS
800 (31)	61 (2,4)	190 (419)	304 (80,3)	5	AF - AR - CS
					CR - S - CM
					CW - CS JANUS PRO
900 (35)	57 (2,2)	213 (470)	353 (93,3)	5	AF - AR - CS
					CR - S - CM
					CW - CS JANUS PRO
1000 (39)	60 (2,4)	232 (511)	410 (108,3)	5	AF - AR - CS
					CR - S - CM
					CW - CS JANUS PRO

## VS75 GD MACHINE WEIGHT 7,5 - 9,0 (16535 - 1982 lb)



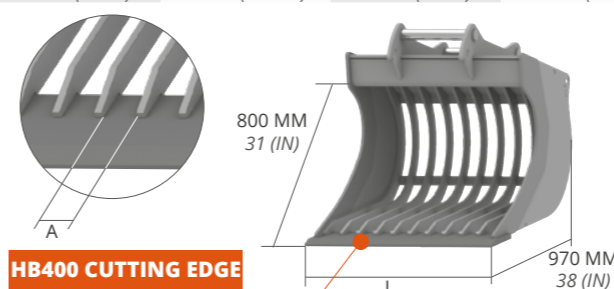
### OPTIONAL

5

HB500 WELDED ADDITIONAL CUTTING EDGE

L MM (IN)	A MM (IN)	WEIGHT KG* (LB*)	CAP. SAE L (GAL)	TEETH N°	ADAPTERS
800 (31)	73 (2,8)	198 (437)	321 (84,8)	5	AF - CS
					CR - S - CM
					CW - CS JANUS PRO
900 (35)	74 (2,9)	218 (481)	372 (98,3)	5	AF - CS
					CR - S - CM
					CW - CS JANUS PRO
1000 (39)	75 (2,9)	240 (529)	427 (112,8)	5	AF - CS
					CR - S - CM
					CW - CS JANUS PRO

## VS80 GD MACHINE WEIGHT 9,0 - 12,0 (1982 - 26455 lb)



### OPTIONAL

5

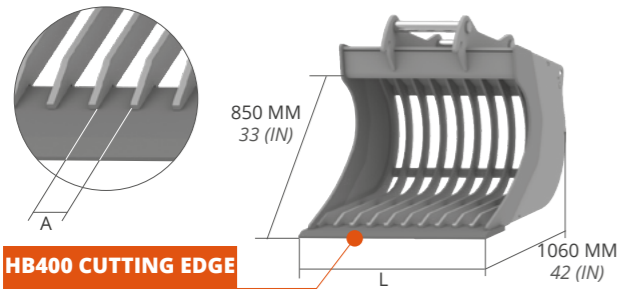
HB500 WELDED ADDITIONAL CUTTING EDGE

L MM (IN)	A MM (IN)	WEIGHT KG* (LB*)	CAP. SAE L (GAL)	TEETH N°	ADAPTERS
1000 (39)	75 (2,9)	274 (604)	479 (126,5)	5	AF - CS
					CR - S - CM
					CW - CS JANUS PRO
1100 (43)	76 (3,0)	297 (655)	539 (142,3)	5	AF - CS
					CR - S - CM
					CW - CS JANUS PRO
1200 (47)	77 (3,0)	320 (705)	610 (161,1)	6	AF - CS
					CR - S - CM
					CW - CS JANUS PRO

\* weight of the tank excluding attachment

\* weight of the tank excluding attachment

## VS85 GD MIDI MACHINE WEIGHT 12,0 - 14,0 (26455 - 30865 lb)



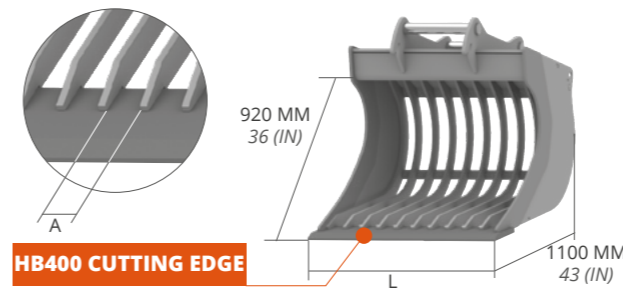
### OPTIONAL

5

HB500 WELDED ADDITIONAL CUTTING EDGE

L MM (IN)	A MM (IN)	WEIGHT KG* (LB*)	CAP. SAE L (GAL)	TEETH N°	ADAPTERS
1000 (39)	80 (3,1)	320 (705)	562 (148,5)	5	AF - S - CM
					CS - CW
					CS JANUS PRO
1200 (47)	80 (3,1)	375 (827)	723 (191,0)	6	AF - S - CM
					CS - CW
					CS JANUS PRO
1300 (51)	80 (3,1)	402 (886)	803 (212,1)	6	AF - S - CM
					CS - CW
					CS JANUS PRO

## VS92 GD EXCAVATOR MACHINE WEIGHT 12,0 - 14,0 (26455 - 30865 lb)



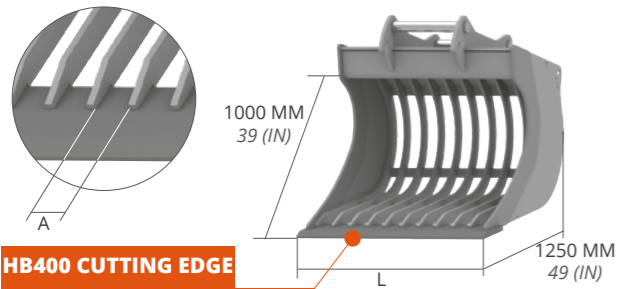
### OPTIONAL

5

HB500 WELDED ADDITIONAL CUTTING EDGE

L MM (IN)	A MM (IN)	WEIGHT KG* (LB*)	CAP. SAE L (GAL)	TEETH N°	ADAPTERS
1200 (47)	80 (3,1)	416 (917)	783 (206,8)	5	AF - S - CM
					CS - CW
					CS JANUS PRO
1300 (51)	80 (3,1)	438 (965)	878 (231,9)	6	AF - S - CM
					CS - CW
					CS JANUS PRO
1400 (55)	80 (3,1)	460 (1014)	973 (257,0)	6	AF - S - CM
					CS - CW
					CS JANUS PRO

## VS100 GD MACHINE WEIGHT 14,0 - 18,0 t (30865 - 39683 lb)



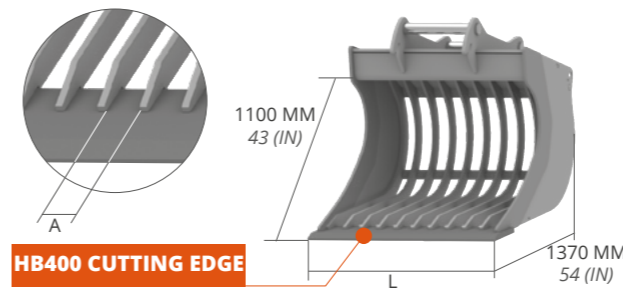
### OPTIONAL

5

HB500 WELDED ADDITIONAL CUTTING EDGE

L MM (IN)	A MM (IN)	WEIGHT KG* (LB*)	CAP. SAE L (GAL)	TEETH N°	ADAPTERS
1200 (47)	100 (3,9)	570 (1257)	909 (240,1)	5	AF - S - CM
					CS - CW
					CS JANUS PRO
1300 (51)	100 (3,9)	615 (1356)	1004 (265,2)	6	AF - S - CM
					CS - CW
					CS JANUS PRO
1400 (55)	100 (3,9)	660 (1455)	1108 (292,7)	6	AF - S - CM
					CS - CW
					CS JANUS PRO

## VS110 GD MACHINE WEIGHT 18,0 - 22,0 t (39683 - 48502 lb)



### OPTIONAL

5

HB500 WELDED ADDITIONAL CUTTING EDGE

L MM (IN)	A MM (IN)	WEIGHT KG* (LB*)	CAP. SAE L (GAL)	TEETH N°	ADAPTERS
1200 (47)	100 (3,9)	670 (1477)	1064 (281,1)	5	AF - S - CM
					CS - CW
					CS JANUS PRO
1300 (51)	100 (3,9)	720 (1587)	1173 (309,9)	6	AF - S - CM
					CS - CW
					CS JANUS PRO
1400 (55)	100 (3,9)	770 (1698)	1288 (340,3)	6	AF - S - CM
					CS - CW
					CS JANUS PRO

\* weight of the tank excluding attachment

\* weight of the tank excluding attachment

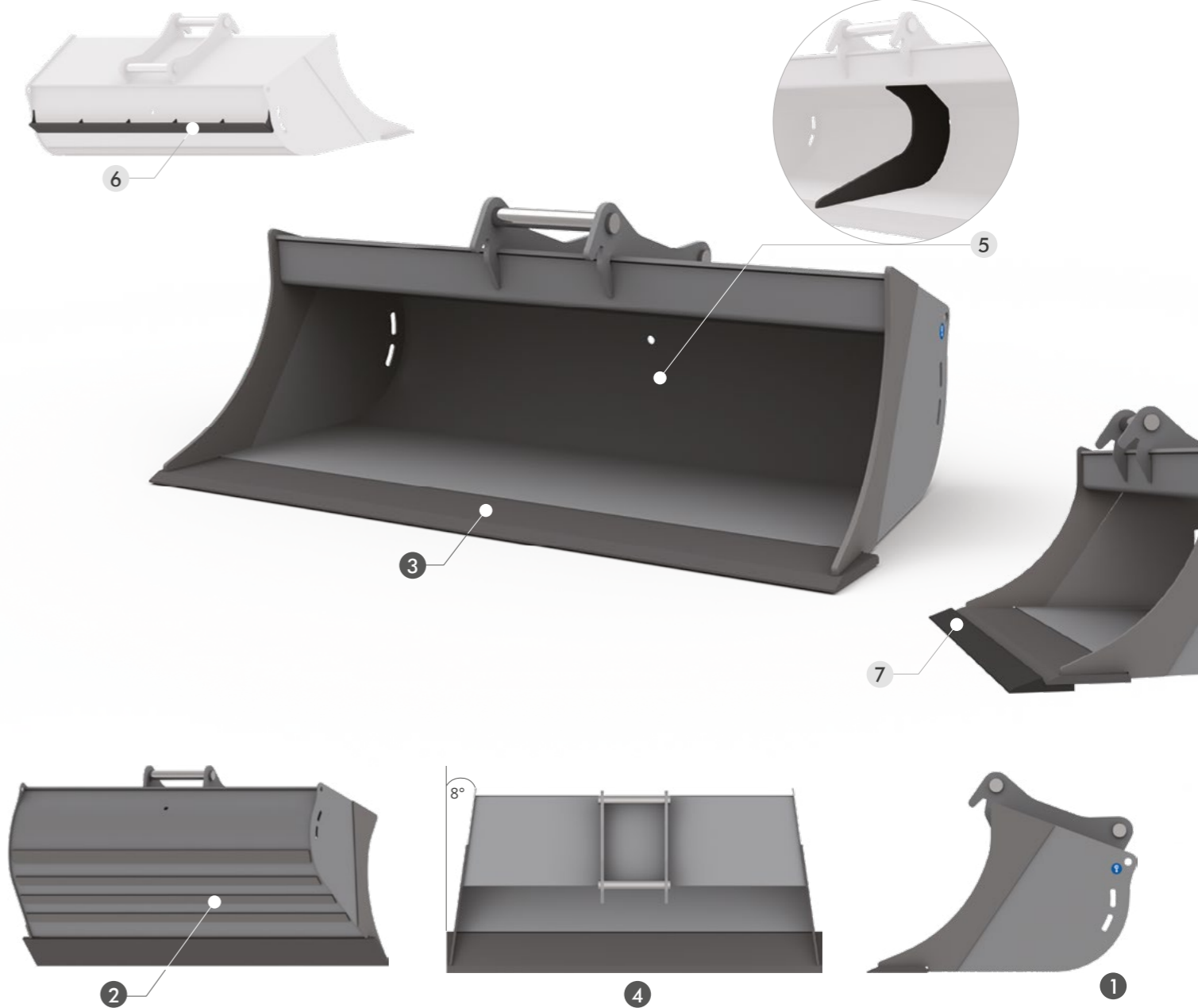




HB400



ADAPTERS



### STANDARD TECHNICAL FEATURES

- 1 **ELONGATED PROFILE**
- 2 **REINFORCING STRIPS**  
THE HORIZONTAL REINFORCING STRIPS ON THE BUCKET'S REAR AND BOTTOM PROTECT THE BUCKET FROM WEAR AND INCREASE ITS RESISTANCE.
- 3 **HB400 CUTTING EDGE**
- 4 **8° CONE SHAPE**

### OPTIONAL

- 5 **BEZEL**  
IT ENSURES A HIGHER STRUCTURAL RESISTANCE. **HIGHLY RECOMMENDED WITH BUCKETS 1400MM WIDE OR MORE.**
- 6 **REAR RAZOR**  
WHEN THE MACHINE'S ARM IS KEPT CLOSED, IT ALLOWS TO FINISH SURFACES EVENLY.
- 7 **HB500 WELDED ADDITIONAL CUTTING EDGE**  
RECOMMENDED TO WORK ON PARTICULARLY ABRASIVE SOILS.

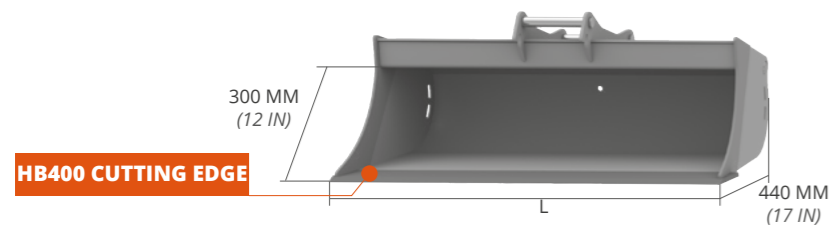
THE SPECIAL HOLLOW PROFILE MAKES IT SUITABLE FOR A COMBINED USAGE WITH THE ROTOTWIST SYSTEM. THE 8° CONE-SHAPE REAR FORM ENABES THE BUCKET TO ROTATE INSIDE THE EXCAVATION AREA WITHOUT SPOILING IT. THE BLADE IS MADE OF HB400 FOR A HIGHER RESISTANCE TO WEAR.

**THE INSTALLATION OF BEZELS IS HIGHLY RECOMMENDED FOR BUCKETS WIDER THAN 1400 MM, IN ORDER TO AVOID DAMAGES TO THE BUCKET IN CASE OF HEAVY DUTY JOBS OR WITH PARTICULARLY HARD TERRAINS:**

- WIDTH FROM 1400 TO 1500 MM: NR. 1 BEZEL
- WIDTH FROM 1600 TO 1600 MM: NR. 2 BEZELS
- WIDTH FROM 1800 TO 2200 MM: NR. 3 BEZELS

MOD.	MIDI						EXCAVATOR		
	SPS 30 8°GD	SPS 35 8°GD	SPS 40 8°GD	SPS 45 8°GD	SPS 50 8°GD	SPS 55 8°GD	SPS 60 8°GD	SPS 65 8°GD	SPS 70 8°GD
TONS (LB)	0,8 - 1,5 (1764 - 3307)	1,5 - 2,0 (3307 - 4409)	2,0 - 3,0 (4409 - 6614)	3,0 - 4,0 (6614 - 8818)	4,0 - 6,0 (8818 - 13228)	6,0 - 7,5 (13228 - 16535)	7,5 - 12,0 (16535 - 26456)	12,0 - 18,0 (26456 - 39683)	18,0 - 22,0 (39683 - 48502)

## SPS30 8°GD MACHINE WEIGHT 0,8 - 1,5 (1764 - 3307 lb)

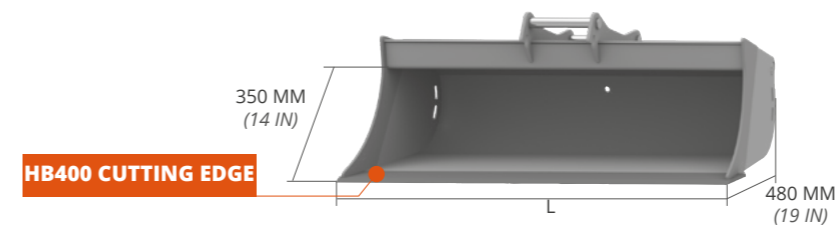


L MM (IN)	WEIGHT KG* (LB*)	CAP. SAE L (GAL)	ADAPTERS
600 (24)	29 (64)	42 (11,1)	AF - AR - CS
			CR - S - CM
			CW - CS JANUS PRO
700 (28)	34 (75)	50 (13,2)	AF - AR - CS
			CR - S - CM
			CW - CS JANUS PRO
800 (31)	38 (84)	58 (22,4)	AF - AR - CS
			CR - S - CM
			CW - CS JANUS PRO

### OPTIONAL

6	7
REAR RAZOR	HB500 WELDED ADDITIONAL CUTTING EDGE

## SPS35 8°GD MACHINE WEIGHT 1,5 - 2,0 (3307 - 4409 lb)

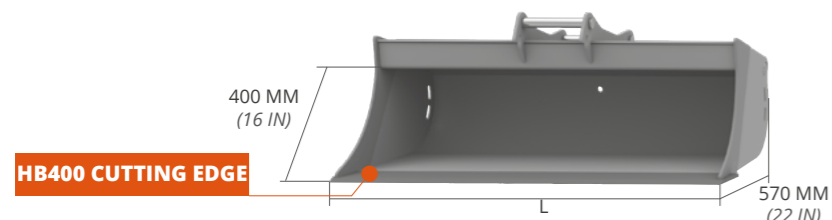


L MM (IN)	WEIGHT KG* (LB*)	CAP. SAE L (GAL)	ADAPTERS
800 (31)	47 (104)	75 (19,8)	AF - AR - CS
			CR - S - CM
			CW - CS JANUS PRO
900 (35)	52 (115)	85 (22,4)	AF - AR - CS
			CR - S - CM
			CW - CS JANUS PRO
1000 (39)	58 (128)	95 (25,1)	AF - AR - CS
			CR - S - CM
			CW - CS JANUS PRO
1200 (47)	70 (154)	115 (30,4)	AF - AR - CS
			CR - S - CM
			CW - CS JANUS PRO

### OPTIONAL

6	7
REAR RAZOR	HB500 WELDED ADDITIONAL CUTTING EDGE

## SPS40 8°GD MACHINE WEIGHT 2,0 - 3,0 (4409 - 6614 lb)

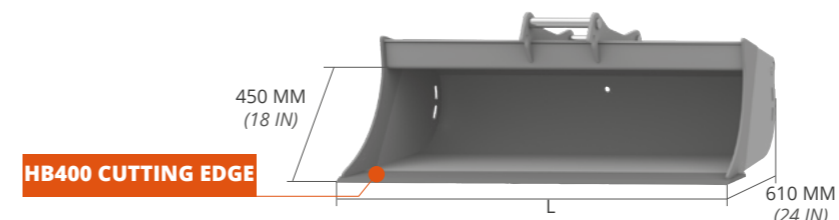


L MM (IN)	WEIGHT KG* (LB*)	CAP. SAE L (GAL)	ADAPTERS
1000 (39)	78 (172)	115 (30,4)	AF - AR - CS
			CR - S - CM
			CW - CS JANUS PRO
1100 (43)	86 (189)	129 (34,1)	AF - AR - CS
			CR - S - CM
			CW - CS JANUS PRO
1200 (47)	93 (205)	143 (37,8)	AF - AR - CS
			CR - S - CM
			CW - CS JANUS PRO
1400 (55)	109 (240)	157 (41,5)	AF - AR - CS
			CR - S - CM
			CW - CS JANUS PRO

### OPTIONAL

6	7
REAR RAZOR	HB500 WELDED ADDITIONAL CUTTING EDGE

## SPS45 8°GD MACHINE WEIGHT 3,0 - 4,0 (6614 - 8818 lb)



L MM (IN)	WEIGHT KG* (LB*)	CAP. SAE L (GAL)	ADAPTERS
1000 (39)	95 (209)	132 (34,9)	AF - AR - CS
			CR - S - CM
			CW - CS JANUS PRO
1100 (43)	104 (229)	150 (39,6)	AF - AR - CS
			CR - S - CM
			CW - CS JANUS PRO
1200 (47)	110 (242)	168 (44,4)	AF - AR - CS
			CR - S - CM
			CW - CS JANUS PRO
1400 (55)	131 (289)	204 (53,9)	AF - AR - CS
			CR - S - CM
			CW - CS JANUS PRO
1500 (59)	142 (313)	222 (58,6)	AF - AR - CS
			CR - S - CM
			CW - CS JANUS PRO

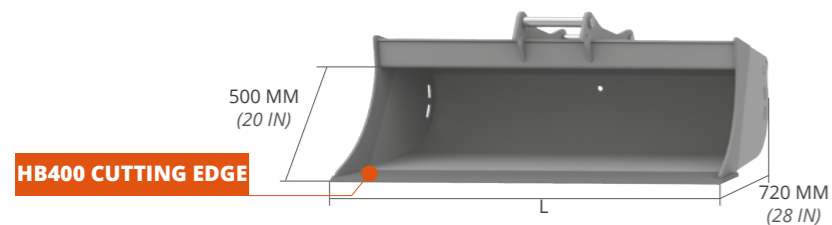
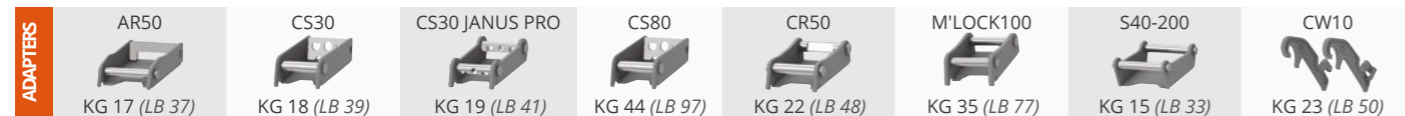
### OPTIONAL

6	7
REAR RAZOR	HB500 WELDED ADDITIONAL CUTTING EDGE

\* weight of the tank excluding attachment

\* weight of the tank excluding attachment

## SPS50 8°GD MACHINE WEIGHT 4,0 - 6,0 (8818 - 13228 lb)



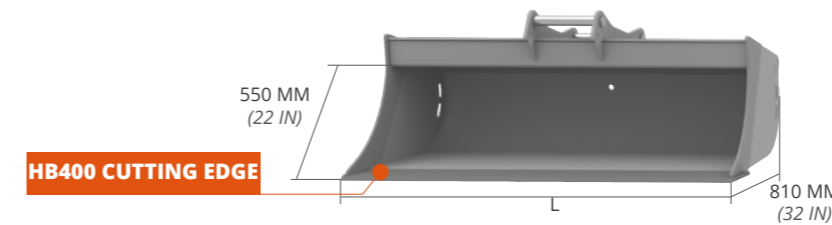
HB400 CUTTING EDGE

L MM (IN)	WEIGHT KG* (LB*)	CAP. SAE L (GAL)	ADAPTERS
1200 (47)	141 (311)	210 (55,5)	AF - AR - CS CR - S - CM CW - CS JANUS PRO
1300 (51)	152 (335)	230 (60,8)	AF - AR - CS CR - S - CM CW - CS JANUS PRO
1400 (55)	163 (359)	250 (66,0)	AF - AR - CS CR - S - CM CW - CS JANUS PRO
1600 (63)	185 (408)	290 (76,7)	AF - AR - CS CR - S - CM CW - CS JANUS PRO

### OPTIONAL

5	6	7
BEZEL	REAR RAZOR	HB500 WELDED ADDITIONAL CUTTING EDGE

## SPS55 8°GD MACHINE WEIGHT 6,0 - 7,5 (13228 - 16535 lb)



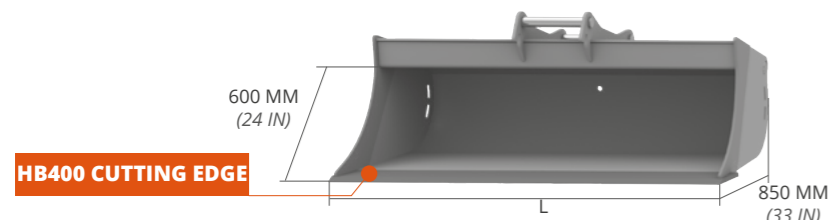
HB400 CUTTING EDGE

L MM (IN)	WEIGHT KG* (LB*)	CAP. SAE L (GAL)	ADAPTERS
1300 (51)	184 (406)	300 (79,2)	AF - AR - CS CR - S - CM CW - CS JANUS PRO
1400 (55)	198 (437)	325 (85,6)	AF - AR - CS CR - S - CM CW - CS JANUS PRO
1500 (59)	212 (467)	350 (92,4)	AF - AR - CS CR - S - CM CW - CS JANUS PRO
1600 (63)	225 (496)	375 (99,1)	AF - AR - CS CR - S - CM CW - CS JANUS PRO
1800 (71)	252 (556)	425 (112,3)	AF - AR - CS CR - S - CM CW - CS JANUS PRO

### OPTIONAL

5	6	7
BEZEL	REAR RAZOR	HB500 WELDED ADDITIONAL CUTTING EDGE

## SPS60 8°GD MIDI MACHINE WEIGHT 7,5 - 12,0 (16535 - 26456 lb)



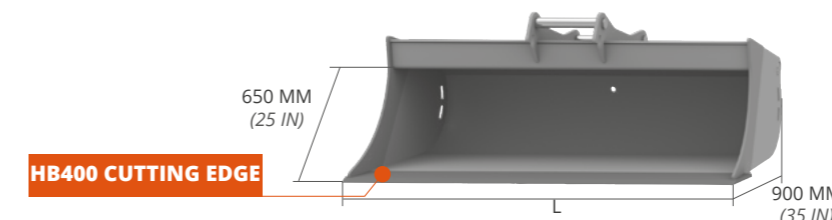
HB400 CUTTING EDGE

L MM (IN)	WEIGHT KG* (LB*)	CAP. SAE L (GAL)	ADAPTERS
1400 (55)	224 (494)	360 (95,1)	AF - CS CR - S - CM CW - CS JANUS PRO
1500 (59)	239 (527)	400 (105,7)	AF - CS CR - S - CM CW - CS JANUS PRO
1600 (63)	254 (560)	430 (113,6)	AF - CS CR - S - CM CW - CS JANUS PRO
1800 (71)	282 (622)	490 (129,4)	AF - CS CR - S - CM CW - CS JANUS PRO
2000 (79)	317 (699)	550 (145,3)	AF - CS CR - S - CM CW - CS JANUS PRO

### OPTIONAL

5	6	7
BEZEL	REAR RAZOR	HB500 WELDED ADDITIONAL CUTTING EDGE

## SPS65 8°GD EXCAVATOR MACHINE WEIGHT 12,0 - 18,0 t (26456 - 39683 lb)



HB400 CUTTING EDGE

L MM (IN)	WEIGHT KG* (LB*)	CAP. SAE L (GAL)	ADAPTERS
1400 (55)	291 (642)	466 (123,1)	AF - S - CM CS - CW CS JANUS PRO
1500 (59)	312 (688)	500 (132,1)	AF - S - CM CS - CW CS JANUS PRO
1600 (63)	332 (732)	534 (141,1)	AF - S - CM CS - CW CS JANUS PRO
1800 (71)	373 (822)	602 (159,1)	AF - S - CM CS - CW CS JANUS PRO
2000 (79)	413 (911)	670 (176,1)	AF - S - CM CS - CW CS JANUS PRO

### OPTIONAL

5	6	7
BEZEL	REAR RAZOR	HB500 WELDED ADDITIONAL CUTTING EDGE

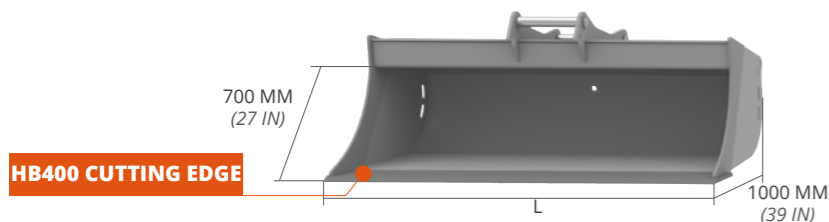
\* weight of the tank excluding attachment

\* weight of the tank excluding attachment

# SPS70 8°GD MACHINE WEIGHT 18,0 - 22,0 t (39683 - 48502 lb)

**ADAPTERS**

<b>CS100</b> KG 45 (LB 99)	<b>CS100 JANUS PRO</b> KG 93 (LB 205)	<b>M'LOCK100</b> KG 66 (LB 145)	<b>S60</b> KG 57 (LB 125)	<b>CW30</b> KG 66 (LB 145)
-------------------------------	------------------------------------------	------------------------------------	------------------------------	-------------------------------



**HB400 CUTTING EDGE**

## OPTIONAL

<b>5</b>	<b>6</b>	<b>7</b>
BEZEL	REAR RAZOR	HB500 WELDED ADDITIONAL CUTTING EDGE

L MM (IN)	WEIGHT KG* (LB*)	CAP. SAE L (GAL)	ADAPTERS
1500 (59)	385 (849)	600 (158,5)	AF - S - CM CS - CW CS JANUS PRO
1600 (63)	410 (904)	640 (169,1)	AF - S - CM CS - CW CS JANUS PRO
1800 (71)	460 (1014)	720 (190,2)	AF - S - CM CS - CW CS JANUS PRO
2000 (79)	508 (1120)	800 (211,3)	AF - S - CM CS - CW CS JANUS PRO
2200 (87)	554 (1221)	880 (232,5)	AF - S - CM CS - CW CS JANUS PRO



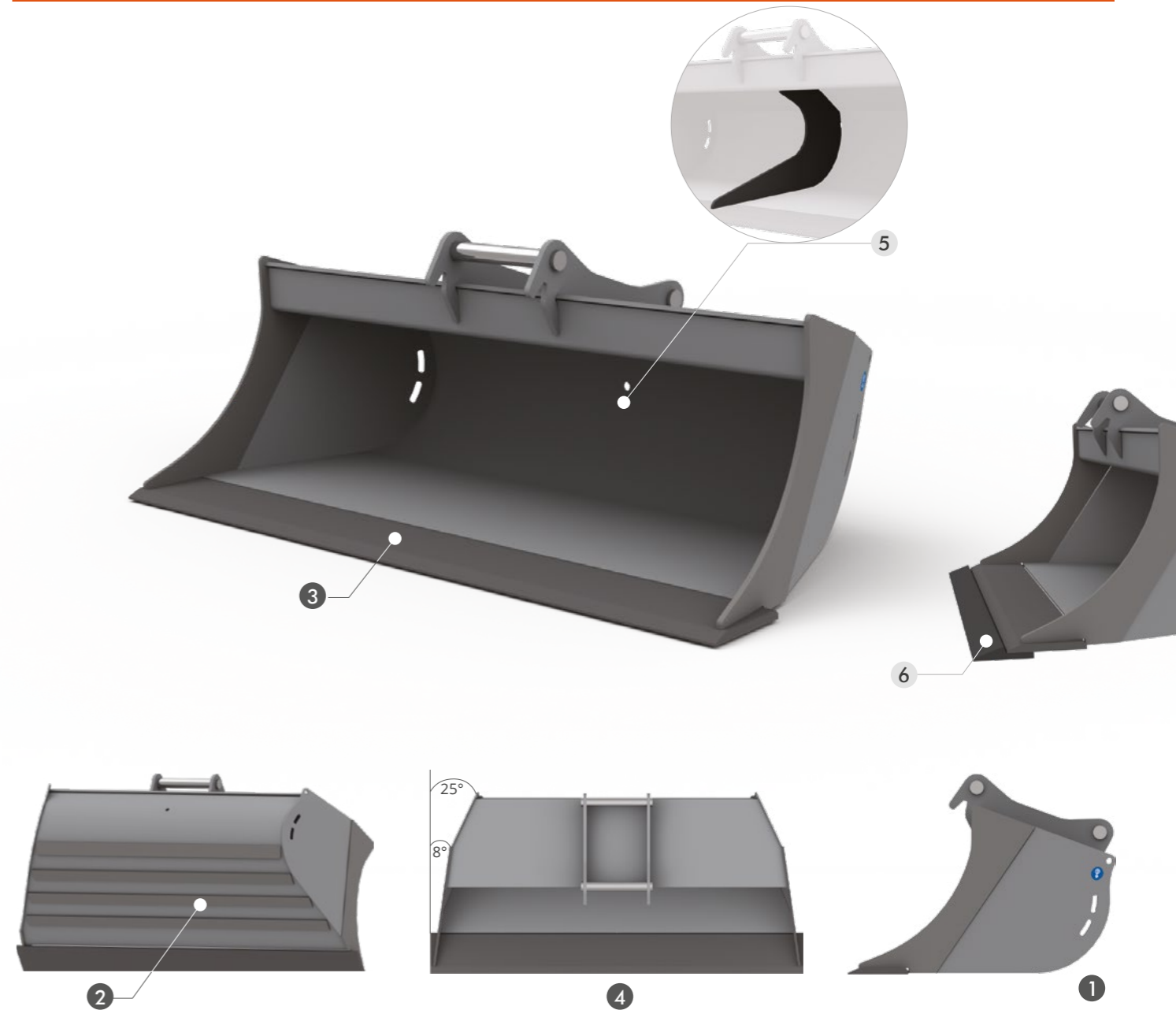
\* weight of the tank excluding attachment



ADAPTERS



HB400



### STANDARD TECHNICAL FEATURES

- 1 **ELONGATED PROFILE**
- 2 **REINFORCING STRIPS**  
THE HORIZONTAL REINFORCING STRIPS ON THE BUCKET'S REAR AND BOTTOM PROTECT THE BUCKET FROM WEAR AND INCREASE ITS RESISTANCE.
- 3 **HB400 CUTTING EDGE**
- 4 **8° CONE SHAPE AND 25° HOLLOW PROFILE**

### OPTIONAL

- 5 **BEZEL**  
IT ENSURES A HIGHER STRUCTURAL RESISTANCE. **HIGHLY RECOMMENDED WITH BUCKETS 1400MM WIDE OR MORE.**
- 6 **HB500 WELDED ADDITIONAL CUTTING EDGE**  
RECOMMENDED TO WORK ON PARTICULARLY ABRASIVE SOILS.

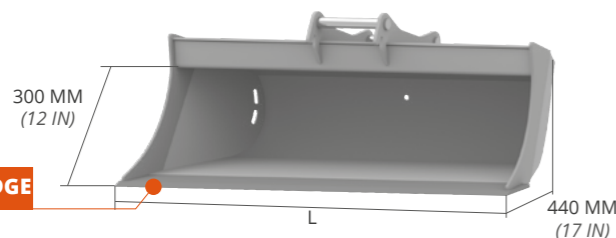
THE SPECIAL 25° HOLLOW PROFILE MAKES IT SUITABLE FOR A COMBINED USAGE WITH THE ROTOTWIST SYSTEM. THE 8° CONE-SHAPE REAR FORM ENABLES THE BUCKET TO ROTATE INSIDE THE EXCAVATION AREA WITHOUT SPOILING IT. THE BLADE IS MADE OF HB400 FOR A HIGHER RESISTANCE TO WEAR.

**THE INSTALLATION OF BEZELS IS HIGHLY RECOMMENDED FOR BUCKETS WIDER THAN 1400 MM, IN ORDER TO AVOID DAMAGES TO THE BUCKET IN CASE OF HEAVY DUTY JOBS OR WITH PARTICULARLY HARD TERRAINS:**

- WIDTH FROM 1400 TO 1500 MM: NR. 1 BEZEL
- WIDTH FROM 1600 TO 1600 MM: NR. 2 BEZELS
- WIDTH FROM 1800 TO 2200 MM: NR. 3 BEZELS

MOD.	MIDI						EXCAVATOR		
	SPS 30 25°GD	SPS 35 25°GD	SPS 40 25°GD	SPS 45 25°GD	SPS 50 25°GD	SPS 55 25°GD	SPS 60 25°GD	SPS 65 25°GD	SPS 70 25°GD
TONS (LB)	0,8 - 1,5 (1764 - 3307)	1,5 - 2,0 (3307 - 4409)	2,0 - 3,0 (4409 - 6614)	3,0 - 4,0 (6614 - 8818)	4,0 - 6,0 (8818 - 13228)	6,0 - 7,5 (13228 - 16535)	7,5 - 12,0 (16535 - 26456)	12,0 - 18,0 (26456 - 39683)	18,0 - 22,0 (39683 - 48502)

## SPS30 25°GD MACHINE WEIGHT 0,8 - 1,5 (1764 - 3307 lb)



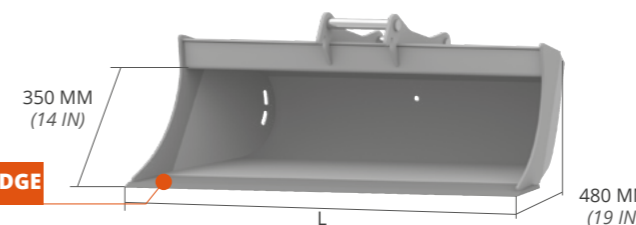
HB400 CUTTING EDGE

OPTIONAL

L MM (IN)	WEIGHT KG* (LB*)	CAP. SAE L (GAL)	ADAPTERS
600 (24)	27 (59)	41 (10,8)	AF - AR - CS
			CR - S - CM
			CW - CS JANUS PRO
700 (28)	32 (70)	49 (12,9)	AF - AR - CS
			CR - S - CM
			CW - CS JANUS PRO
800 (31)	36 (79)	57 (15,0)	AF - AR - CS
			CR - S - CM
			CW - CS JANUS PRO

6  
HB500 WELDED ADDITIONAL CUTTING EDGE

## SPS35 25°GD MACHINE WEIGHT 1,5 - 2,0 (3307 - 4409 lb)



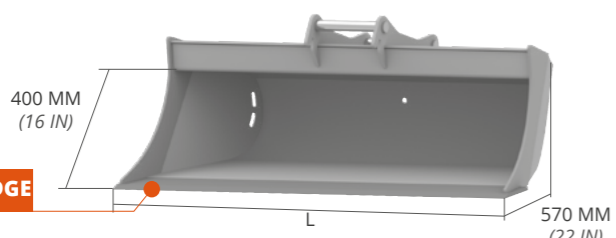
HB400 CUTTING EDGE

OPTIONAL

L MM (IN)	WEIGHT KG* (LB*)	CAP. SAE L (GAL)	ADAPTERS
800 (31)	45 (99)	74 (19,5)	AF - AR - CS
			CR - S - CM
			CW - CS JANUS PRO
900 (35)	50 (110)	84 (22,1)	AF - AR - CS
			CR - S - CM
			CW - CS JANUS PRO
1000 (39)	56 (123)	94 (24,8)	AF - AR - CS
			CR - S - CM
			CW - CS JANUS PRO
1200 (47)	68 (150)	114 (30,1)	AF - AR - CS
			CR - S - CM
			CW - CS JANUS PRO

6  
HB500 WELDED ADDITIONAL CUTTING EDGE

## SPS40 25°GD MACHINE WEIGHT 2,0 - 3,0 (4409 - 6614 lb)



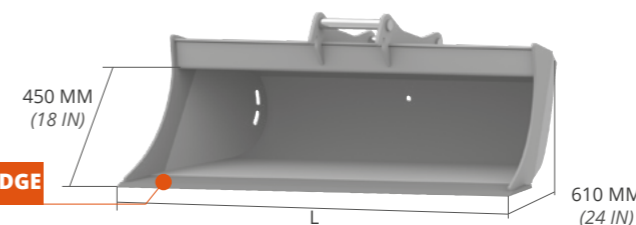
HB400 CUTTING EDGE

OPTIONAL

L MM (IN)	WEIGHT KG* (LB*)	CAP. SAE L (GAL)	ADAPTERS
1000 (39)	75 (165)	113 (29,8)	AF - AR - CS
			CR - S - CM
			CW - CS JANUS PRO
1100 (43)	83 (183)	127 (33,5)	AF - AR - CS
			CR - S - CM
			CW - CS JANUS PRO
1200 (47)	90 (198)	141 (37,2)	AF - AR - CS
			CR - S - CM
			CW - CS JANUS PRO
1400 (55)	106 (352)	155 (40,9)	AF - AR - CS
			CR - S - CM
			CW - CS JANUS PRO

6  
HB500 WELDED ADDITIONAL CUTTING EDGE

## SPS45 25°GD MACHINE WEIGHT 3,0 - 4,0 (6614 - 8818 lb)



HB400 CUTTING EDGE

OPTIONAL

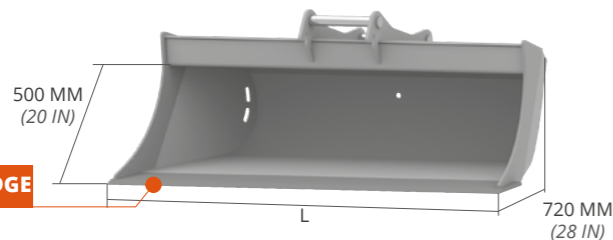
L MM (IN)	WEIGHT KG* (LB*)	CAP. SAE L (GAL)	ADAPTERS
1000 (39)	91 (201)	129 (34,0)	AF - AR - CS
			CR - S - CM
			CW - CS JANUS PRO
1100 (43)	100 (220)	147 (38,8)	AF - AR - CS
			CR - S - CM
			CW - CS JANUS PRO
1200 (47)	106 (234)	165 (43,6)	AF - AR - CS
			CR - S - CM
			CW - CS JANUS PRO
1400 (55)	127 (280)	201 (53,1)	AF - AR - CS
			CR - S - CM
			CW - CS JANUS PRO
1500 (59)	138 (304)	219 (57,8)	AF - AR - CS
			CR - S - CM
			CW - CS JANUS PRO

6  
HB500 WELDED ADDITIONAL CUTTING EDGE

\* weight of the tank excluding attachment

\* weight of the tank excluding attachment

## SPS50 25°GD MACHINE WEIGHT 4,0 - 6,0 (8818 - 13228 lb)



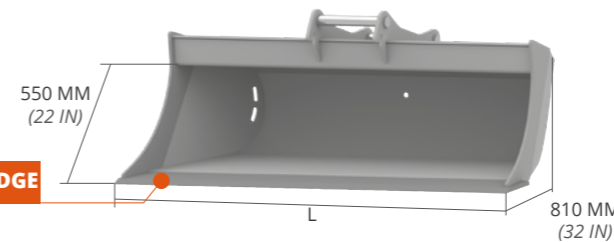
HB400 CUTTING EDGE

OPTIONAL

L MM (IN)	WEIGHT KG* (LB*)	CAP. SAE L (GAL)	ADAPTERS
1200 (47)	136 (300)	204 (53,8)	AF - AR - CS CR - S - CM CW - CS JANUS PRO
1300 (51)	147 (324)	224 (59,1)	AF - AR - CS CR - S - CM CW - CS JANUS PRO
1400 (55)	158 (348)	244 (64,4)	AF - AR - CS CR - S - CM CW - CS JANUS PRO
1600 (63)	180 (397)	284 (75,0)	AF - AR - CS CR - S - CM CW - CS JANUS PRO

BEZEL	5	6
		HB500 WELDED ADDITIONAL CUTTING EDGE

## SPS55 25°GD MACHINE WEIGHT 6,0 - 7,5 (13228 - 16535 lb)



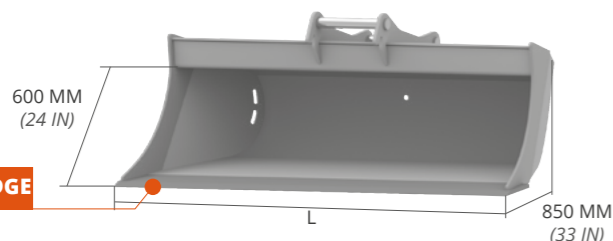
HB400 CUTTING EDGE

OPTIONAL

L MM (IN)	WEIGHT KG* (LB*)	CAP. SAE L (GAL)	ADAPTERS
1300 (51)	177 (390)	290 (76,6)	AF - AR - CS CR - S - CM CW - CS JANUS PRO
1400 (55)	191 (421)	315 (83,2)	AF - AR - CS CR - S - CM CW - CS JANUS PRO
1500 (59)	205 (452)	340 (89,8)	AF - AR - CS CR - S - CM CW - CS JANUS PRO
1600 (63)	218 (480)	365 (96,4)	AF - AR - CS CR - S - CM CW - CS JANUS PRO
1800 (71)	245 (540)	415 (109,6)	AF - AR - CS CR - S - CM CW - CS JANUS PRO

BEZEL	5	6
		HB500 WELDED ADDITIONAL CUTTING EDGE

## SPS60 25°GD MIDI MACHINE WEIGHT 7,5 - 12,0 (16535 - 26456 lb)



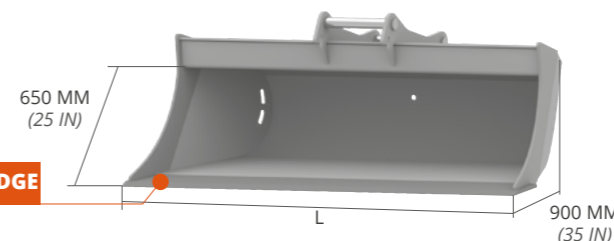
HB400 CUTTING EDGE

OPTIONAL

L MM (IN)	WEIGHT KG* (LB*)	CAP. SAE L (GAL)	ADAPTERS
1400 (55)	216 (476)	345 (91,1)	AF - CS CR - S - CM CW - CS JANUS PRO
1500 (59)	231 (509)	385 (101,7)	AF - CS CR - S - CM CW - CS JANUS PRO
1600 (63)	246 (542)	415 (109,6)	AF - CS CR - S - CM CW - CS JANUS PRO
1800 (71)	274 (605)	445 (117,5)	AF - CS CR - S - CM CW - CS JANUS PRO
2000 (79)	309 (681)	505 (133,4)	AF - CS CR - S - CM CW - CS JANUS PRO

BEZEL	5	6
		HB500 WELDED ADDITIONAL CUTTING EDGE

## SPS65 25°GD EXCAVATOR MACHINE WEIGHT 12,0 - 18,0 t (26456 - 39683 lb)



HB400 CUTTING EDGE

OPTIONAL

L MM (IN)	WEIGHT KG* (LB*)	CAP. SAE L (GAL)	ADAPTERS
1400 (55)	295 (650)	448 (118,3)	AF - S - CM CS - CW CS JANUS PRO
1500 (59)	316 (697)	482 (127,3)	AF - S - CM CS - CW CS JANUS PRO
1600 (63)	334 (736)	516 (136,3)	AF - S - CM CS - CW CS JANUS PRO
1800 (71)	376 (828)	584 (154,3)	AF - S - CM CS - CW CS JANUS PRO
2000 (79)	395 (870)	652 (172)	AF - S - CM CS - CW CS JANUS PRO

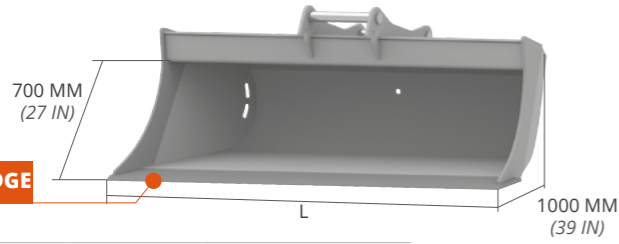
BEZEL	5	6
		HB500 WELDED ADDITIONAL CUTTING EDGE

\* weight of the tank excluding attachment

\* weight of the tank excluding attachment

# SPS70 25°GD MACHINE WEIGHT 18,0 - 22,0 t (39683 - 48502 lb)

ADAPTERS	CS100 KG 45 (LB 99)	CS100 JANUS PRO KG 93 (LB 205)	M'LOCK100 KG 66 (LB 145)	S60 KG 57 (LB 125)	CW30 KG 66 (LB 145)
----------	------------------------	-----------------------------------	-----------------------------	-----------------------	------------------------



## HB400 CUTTING EDGE

L MM (IN)	WEIGHT KG* (LB*)	CAP. SAE L (GAL)	ADAPTERS
1500 (59)	360 (793)	580 (153,2)	AF - S - CM CS - CW CS JANUS PRO
1600 (63)	385 (848)	620 (163,8)	AF - S - CM CS - CW CS JANUS PRO
1800 (71)	435 (959)	700 (184,9)	AF - S - CM CS - CW CS JANUS PRO
2000 (79)	483 (1064)	780 (206,1)	AF - S - CM CS - CW CS JANUS PRO
2200 (87)	529 (1166)	860 (227,2)	AF - S - CM CS - CW CS JANUS PRO

## OPTIONAL

BEZEL	5	6	HB500 WELDED ADDITIONAL CUTTING EDGE
-------	---	---	--------------------------------------

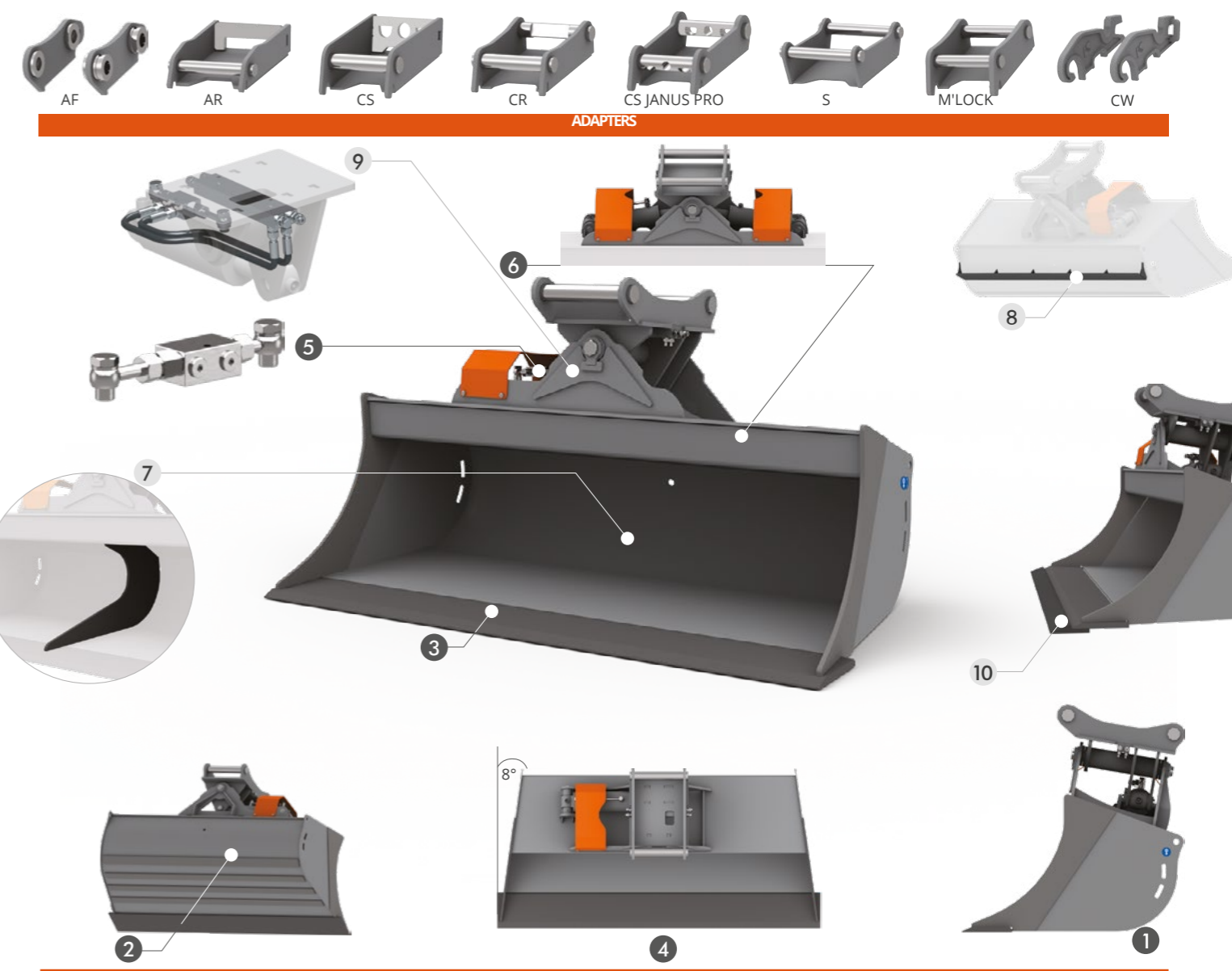


\* weight of the tank excluding attachment





HB400



### STANDARD TECHNICAL FEATURES

- 1 ELONGATED PROFILE**
- 2 REINFORCING STRIPS**  
THE HORIZONTAL REINFORCING STRIPS ON THE BUCKET'S REAR AND BOTTOM PROTECT THE BUCKET FROM WEAR AND INCREASE ITS RESISTANCE.
- 3 HB400 CUTTING EDGE**
- 4 8° CONE SHAPE**
- 5 BLOCK VALVE**  
IT ALLOWS TO KEEP THE BUCKET POSITIONING DURING THE WORKING PHASE.
- 6 DOUBLE CYLINDER FOR SQS 65 8° HD AND SQS 70 8° HD MODELS**

### OPTIONAL

- 7 BEZEL**  
IT ENSURES A HIGHER STRUCTURAL RESISTANCE. **HIGHLY RECOMMENDED WITH BUCKETS 1400MM WIDE OR MORE.**
- 8 REAR RAZOR**  
WHEN THE MACHINE'S ARM IS KEPT CLOSED, IT ALLOWS TO FINISH SURFACES EVENLY.
- 9 PIPE KIT**  
OPTIONAL KIT INSTALLED ON THE BUCKET FOR THE FEEDING OF THE HYDRAULIC CYLINDER. IT ALLOWS THE USE OF TWO OUTLETS ON THE RIGHT AND TWO OUTLETS ON THE LEFT FOR THE HYDRAULIC CONNECTION TO THE MACHINE REDUCING THE INSTALLATION TIMES. THE CONNECTING PIPES ARE NOT SUPPLIED.
- 10 HB500 WELDED ADDITIONAL CUTTING EDGE**  
RECOMMENDED TO WORK ON PARTICULARLY ABRASIVE SOILS.

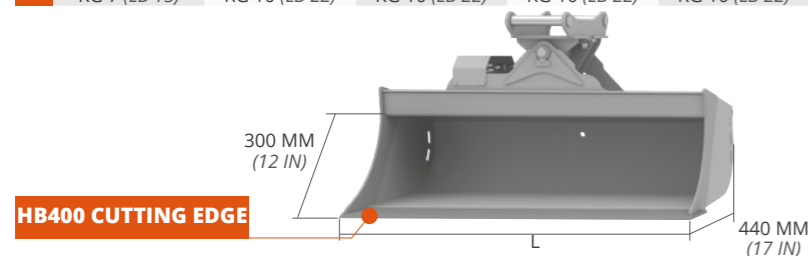
ITS TILTING SYSTEM ENABLES TO TILT IT BY 45° ON BOTH SIDES. ITS ELONGATED SHAPE AVOIDS THAT THE GROUND STICKS TO THE BUCKET'S SIDE WALLS AND SIMPLIFIES THE DISCHARGE OF LOAMY AND WET MATERIALS. USED MAINLY TO CLEAN AND LEVEL STREETS, DITCHES AND DIKES. HB400 ANTI-WEAR ELEMENTS REINFORCE THE MOST STRESSED PARTS. THE BLADE IS MADE OF HB400 FOR A HIGHER RESISTANCE TO WEAR.

**THE INSTALLATION OF BEZELS IS HIGHLY RECOMMENDED FOR BUCKETS WIDER THAN 1400 MM, IN ORDER TO AVOID DAMAGES TO THE BUCKET IN CASE OF HEAVY DUTY JOBS OR WITH PARTICULARLY HARD TERRAINS:**

- WIDTH FROM 1400 TO 1500 MM: NR. 1 BEZEL
- WIDTH FROM 1600 TO 1600 MM: NR. 2 BEZELS
- WIDTH FROM 1800 TO 2200 MM: NR. 3 BEZELS

MOD.	SQS 30 8°GD	SQS 35 8°GD	SQS 40 8°GD	SQS 45 8°GD	SQS 50 8°GD	SQS 55 8°GD	SQS 60 8°GD	SQS 65 8°GD	SQS 70 8°GD
TONS (LB)	0,8 - 1,5 (1764 - 3307)	1,5 - 2,0 (3307 - 4409)	2,0 - 3,0 (4409 - 6614)	3,0 - 4,0 (6614 - 8818)	4,0 - 6,0 (8818 - 13228)	6,0 - 7,5 (13228 - 16535)	7,5 - 12,0 (16535 - 26456)	12,0 - 18,0 (26456 - 39683)	18,0 - 22,0 (39683 - 48502)

## SQS30 8°GD MACHINE WEIGHT 0,8 - 1,5 (1764 - 3307 lb)

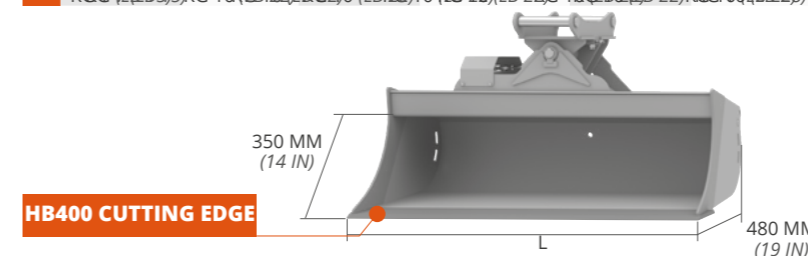


L MM (IN)	WEIGHT KG* (LB*)	CAP. SAE L (GAL)	ADAPTERS
800 (31)	54 (119)	58 (22,4)	AF - AR - CS CR - S - CM CW - CS JANUS PRO

### OPTIONAL

8	9	10
REAR RAZOR	PIPE KIT	HB500 WELDED ADDITIONAL CUTTING EDGE

## SQS35 8°GD MACHINE WEIGHT 1,5 - 2,0 (3307 - 4409 lb)

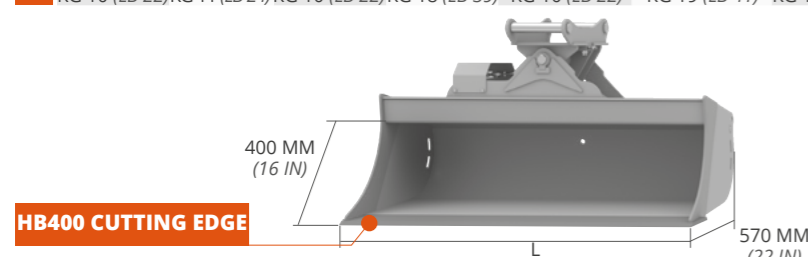


L MM (IN)	WEIGHT KG* (LB*)	CAP. SAE L (GAL)	ADAPTERS
900 (35)	74 (163)	85 (22,4)	AF - AR - CS CR - S - CM CW - CS JANUS PRO
1000 (39)	80 (176)	95 (25,1)	AF - AR - CS CR - S - CM CW - CS JANUS PRO
1200 (47)	92 (203)	115 (30,4)	AF - AR - CS CR - S - CM CW - CS JANUS PRO

### OPTIONAL

8	9	10
REAR RAZOR	PIPE KIT	HB500 WELDED ADDITIONAL CUTTING EDGE

## SQS40 8°GD MACHINE WEIGHT 2,0 - 3,0 (4409 - 6614 lb)

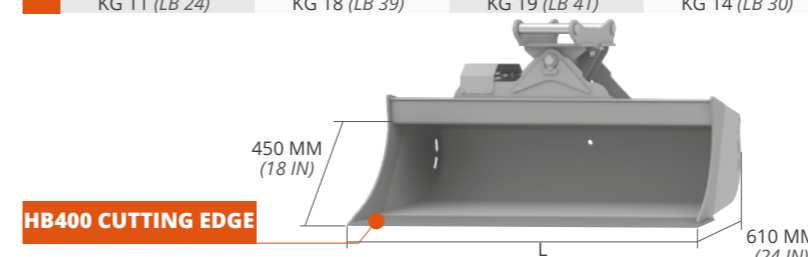


L MM (IN)	WEIGHT KG* (LB*)	CAP. SAE L (GAL)	ADAPTERS
1100 (43)	131 (289)	129 (34,1)	AF - AR - CS CR - S - CM CW - CS JANUS PRO
1200 (47)	138 (304)	143 (37,8)	AF - AR - CS CR - S - CM CW - CS JANUS PRO
1400 (55)	154 (340)	157 (41,5)	AF - AR - CS CR - S - CM CW - CS JANUS PRO

### OPTIONAL

8	9	10
REAR RAZOR	PIPE KIT	HB500 WELDED ADDITIONAL CUTTING EDGE

## SQS45 8°GD MACHINE WEIGHT 3,0 - 4,0 (6614 - 8818 lb)



L MM (IN)	WEIGHT KG* (LB*)	CAP. SAE L (GAL)	ADAPTERS
1100 (43)	149 (329)	150 (39,6)	AF - AR - CS CR - S - CM CW - CS JANUS PRO
1200 (47)	155 (342)	168 (44,4)	AF - AR - CS CR - S - CM CW - CS JANUS PRO
1400 (55)	176 (389)	204 (53,9)	AF - AR - CS CR - S - CM CW - CS JANUS PRO
1500 (59)	187 (413)	222 (58,6)	AF - AR - CS CR - S - CM CW - CS JANUS PRO

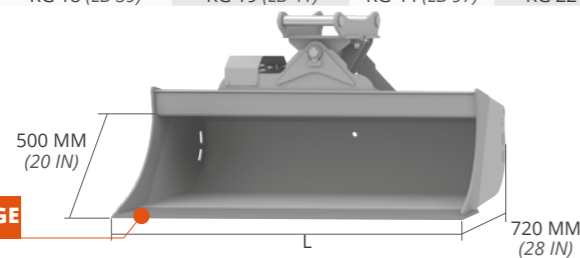
### OPTIONAL

8	9	10
REAR RAZOR	PIPE KIT	HB500 WELDED ADDITIONAL CUTTING EDGE

\* weight of the tank excluding attachment

\* weight of the tank excluding attachment

## SQS50 8°GD MACHINE WEIGHT 4,0 - 6,0 (8818 - 13228 lb)



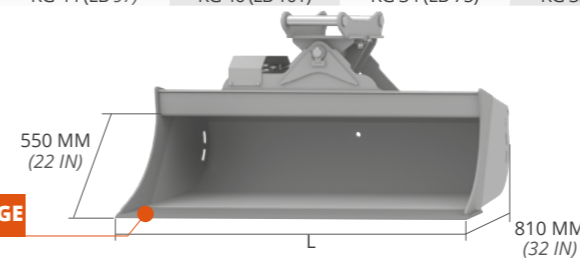
HB400 CUTTING EDGE

### OPTIONAL

7	8	9	10
BEZEL	REAR RAZOR	PIPE KIT	HB500 WELDED ADDITIONAL CUTTING EDGE

L MM (IN)	WEIGHT KG* (LB*)	CAP. SAE L (GAL)	ADAPTERS
1200 (47)	201 (444)	210 (55,5)	AF - AR - CS CR - S - CM CW - CS JANUS PRO
1300 (51)	212 (468)	230 (60,8)	AF - AR - CS CR - S - CM CW - CS JANUS PRO
1400 (55)	223 (492)	250 (66,0)	AF - AR - CS CR - S - CM CW - CS JANUS PRO
1600 (63)	245 (541)	290 (76,7)	AF - AR - CS CR - S - CM CW - CS JANUS PRO

## SQS55 8°GD MACHINE WEIGHT 6,0 - 7,5 (13228 - 16535 lb)



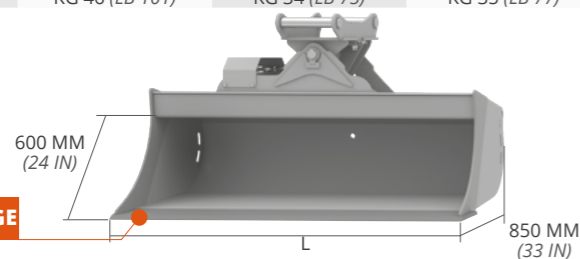
HB400 CUTTING EDGE

### OPTIONAL

7	8	9	10
BEZEL	REAR RAZOR	PIPE KIT	HB500 WELDED ADDITIONAL CUTTING EDGE

L MM (IN)	WEIGHT KG* (LB*)	CAP. SAE L (GAL)	ADAPTERS
1300 (51)	274 (605)	300 (79,2)	AF - AR - CS CR - S - CM CW - CS JANUS PRO
1400 (55)	288 (635)	325 (85,6)	AF - AR - CS CR - S - CM CW - CS JANUS PRO
1500 (59)	302 (666)	350 (92,4)	AF - AR - CS CR - S - CM CW - CS JANUS PRO
1600 (63)	315 (695)	375 (99,1)	AF - AR - CS CR - S - CM CW - CS JANUS PRO
1800 (71)	342 (754)	425 (112,3)	AF - AR - CS CR - S - CM CW - CS JANUS PRO

## SQS60 8°GD MIDI MACHINE WEIGHT 7,5 - 12,0 (16535 - 26456 lb)



HB400 CUTTING EDGE

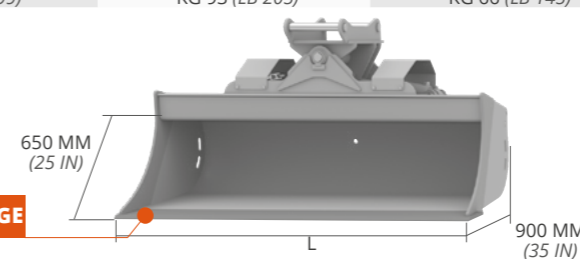
### OPTIONAL

7	8	9	10
BEZEL	REAR RAZOR	PIPE KIT	HB500 WELDED ADDITIONAL CUTTING EDGE

L MM (IN)	WEIGHT KG* (LB*)	CAP. SAE L (GAL)	ADAPTERS
1400 (55)	314 (699)	360 (95,1)	AF - CS CR - S - CM CW - CS JANUS PRO
1500 (59)	329 (725)	400 (105,7)	AF - CS CR - S - CM CW - CS JANUS PRO
1600 (63)	344 (759)	430 (113,6)	AF - CS CR - S - CM CW - CS JANUS PRO
1800 (71)	372 (820)	490 (129,4)	AF - CS CR - S - CM CW - CS JANUS PRO
2000 (79)	407 (897)	550 (145,3)	AF - CS CR - S - CM CW - CS JANUS PRO

\* weight of the tank excluding attachment

## SQS65 8°GD EXCAVATOR MACHINE WEIGHT 12,0 - 18,0 t (26456 - 39683 lb)



HB400 CUTTING EDGE

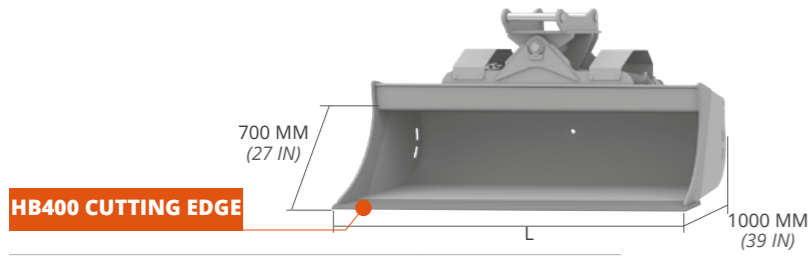
### OPTIONAL

7	8	9	10
BEZEL	REAR RAZOR	PIPE KIT	HB500 WELDED ADDITIONAL CUTTING EDGE

L MM (IN)	WEIGHT KG* (LB*)	CAP. SAE L (GAL)	ADAPTERS
1400 (55)	421 (928)	466 (123,1)	AF - S - CM CS - CW CS JANUS PRO
1500 (59)	442 (974)	500 (132,1)	AF - S - CM CS - CW CS JANUS PRO
1600 (63)	462 (1019)	534 (141,1)	AF - S - CM CS - CW CS JANUS PRO
1800 (71)	503 (1109)	602 (159,1)	AF - S - CM CS - CW CS JANUS PRO
2000 (79)	543 (1197)	670 (176,1)	AF - S - CM CS - CW CS JANUS PRO

\* weight of the tank excluding attachment

# SQS70 8°GD MACHINE WEIGHT 18,0 - 22,0 t (39683 - 48502 lb)



**HB400 CUTTING EDGE**

L MM (IN)	WEIGHT KG* (LB*)	CAP. SAE L (GAL)	ADAPTERS
1500 (59)	515 (1136)	600 (158,5)	AF - S - CM CS - CW CS JANUS PRO
1600 (63)	540 (1191)	640 (169,1)	AF - S - CM CS - CW CS JANUS PRO
1800 (71)	590 (1301)	720 (190,2)	AF - S - CM CS - CW CS JANUS PRO
2000 (79)	638 (1406)	800 (211,3)	AF - S - CM CS - CW CS JANUS PRO
2200 (87)	684 (1508)	880 (232,5)	AF - S - CM CS - CW CS JANUS PRO

**OPTIONAL**

7	8	9	10
BEZEL	REAR RAZOR	PIPE KIT	HB500 WELDED ADDITIONAL CUTTING EDGE



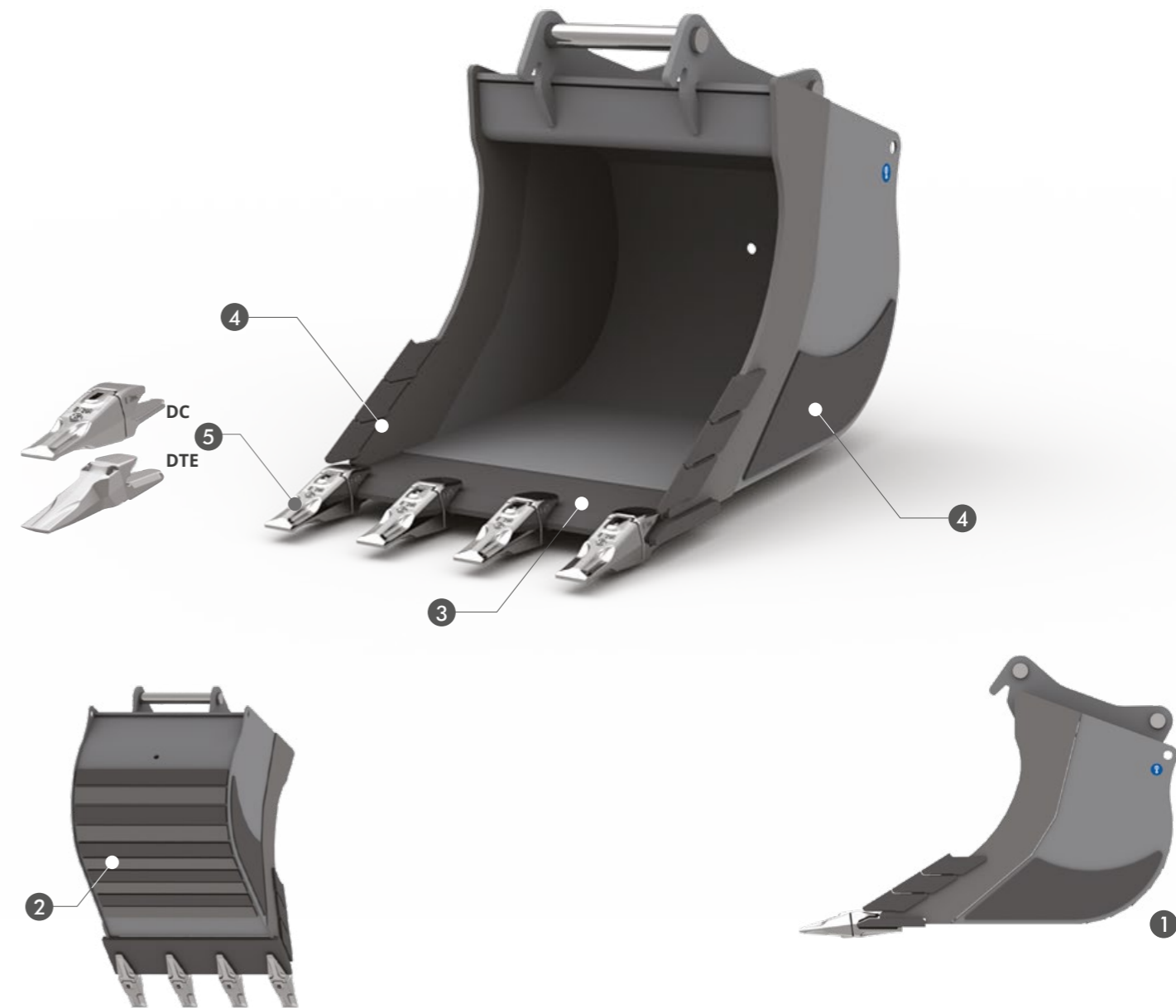
\* weight of the tank excluding attachment



HB400



ITS ELONGATED PROFILE AVOIDS THAT THE GROUND STICKS TO THE BUCKET'S SIDE WALLS AND SIMPLIFIES THE DISCHARGE OF LOAMY AND WET MATERIALS. THE BLADE, THE SIDE CAST CUTTERS AND SIDE REINFORCEMENTS AND THE REAR STRIPS ARE MADE OF HB400.

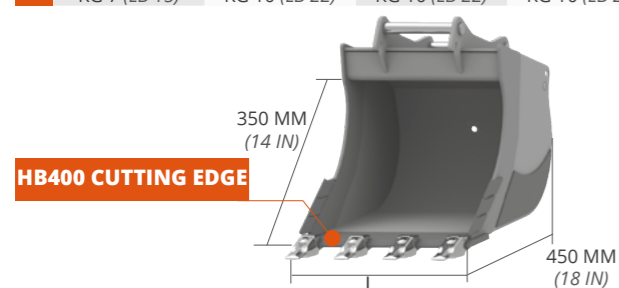


## STANDARD TECHNICAL FEATURES

- 1 ELONGATED PROFILE**
- 2 HB400 REINFORCING STRIPS**  
THE HORIZONTAL REINFORCING STRIPS ON THE BUCKET'S REAR AND BOTTOM PROTECT THE BUCKET FROM WEAR AND INCREASE ITS RESISTANCE.
- 3 HB400 CUTTING EDGE**
- 4 HB400 SIDE CAST CUTTERS AND SIDE REINFORCEMENTS**  
THESE HB400 CAST CUTTERS ARE POSITIONED ON THE SURFACES MOSTLY SUBJECT TO WEAR GRANTING A HIGHER RESISTANCE.
- 5 DC TEETH DTE TEETH**

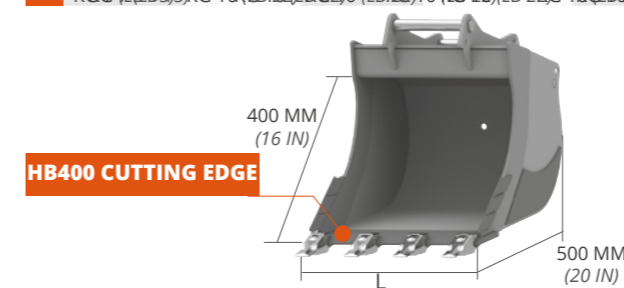
	MIDI EXCAVATOR											
MOD.	SCS 35HD	SCS 40HD	SCS 48HD	SCS 60HD	SCS 67HD	SCS 71HD	SCS 75HD	SCS 80HD	SCS 85HD	SCS 92HD	SCS 100HD	SCS 110HD
TONS (LB)	0,8 - 1,5 (1764 - 3307)	1,5 - 2,0 (3307 - 4409)	2,0 - 3,0 (4409 - 6614)	3,0 - 4,0 (6614 - 8818)	4,0 - 6,0 (8818 - 13228)	6,0 - 7,5 (13228 - 16535)	7,5 - 9,0 (16535 - 19842)	9,0 - 12,0 (19842 - 26455)	12,0 - 14,0 (26455 - 30865)	12,0 - 14,0 (26455 - 30865)	14,0 - 18,0 (30865 - 39683)	18,0 - 22,0 (39683 - 48502)

## SCS35 HD MACHINE WEIGHT 0,8 - 1,5 (1764 - 3307 lb)



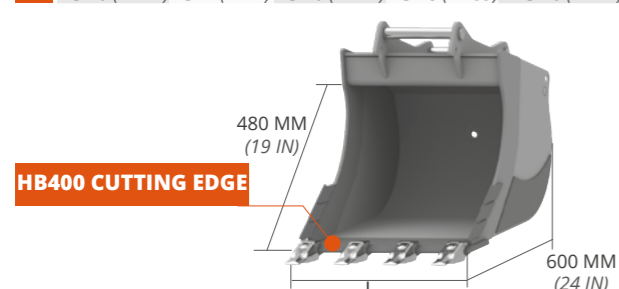
L MM (IN)	WEIGHT KG* (LB*)	CAP. SAE L (GAL)	TEETH N°	ADAPTERS
250 (10)	20 (44)	25 (6,6)	3	AF - AR - CS CR - S - CM CW - CS JANUS PRO
300 (12)	24 (53)	30 (7,9)	3	AF - AR - CS CR - S - CM CW - CS JANUS PRO
400 (16)	30 (66)	42 (11,1)	3	AF - AR - CS CR - S - CM CW - CS JANUS PRO
500 (20)	35 (77)	54 (14,3)	4	AF - AR - CS CR - S - CM CW - CS JANUS PRO

## SCS40 HD MACHINE WEIGHT 1,5 - 2,0 (3307 - 4409 lb)



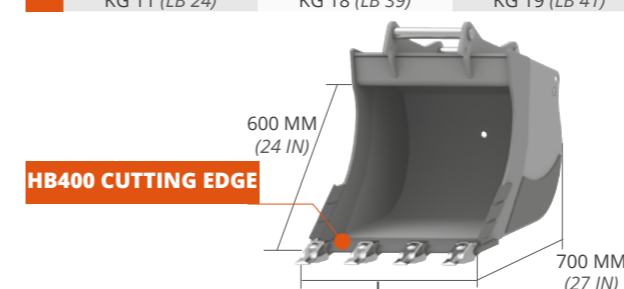
L MM (IN)	WEIGHT KG* (LB*)	CAP. SAE L (GAL)	TEETH N°	ADAPTERS
300 (12)	26 (57)	35 (9,2)	3	AF - AR - CS CR - S - CM CW - CS JANUS PRO
400 (16)	34 (75)	45 (11,8)	3	AF - AR - CS CR - S - CM CW - CS JANUS PRO
500 (20)	42 (92)	60 (16,8)	4	AF - AR - CS CR - S - CM CW - CS JANUS PRO
600 (24)	49 (108)	85 (22,4)	4	AF - AR - CS CR - S - CM CW - CS JANUS PRO

## SCS48 HD MACHINE WEIGHT 2,0 - 3,0 (4409 - 6614 lb)



L MM (IN)	WEIGHT KG* (LB*)	CAP. SAE L (GAL)	TEETH N°	ADAPTERS
300 (12)	38 (83)	48 (12,7)	3	AF - AR - CS CR - S - CM CW - CS JANUS PRO
400 (16)	48 (105)	68 (17,9)	3	AF - AR - CS CR - S - CM CW - CS JANUS PRO
500 (20)	61 (134)	85 (22,4)	4	AF - AR - CS CR - S - CM CW - CS JANUS PRO
600 (24)	72 (158)	110 (29,0)	4	AF - AR - CS CR - S - CM CW - CS JANUS PRO
800 (31)	98 (216)	160 (42,2)	5	AF - AR - CS CR - S - CM CW - CS JANUS PRO

## SCS60 HD MACHINE WEIGHT 3,0 - 4,0 (6614 - 8818 lb)

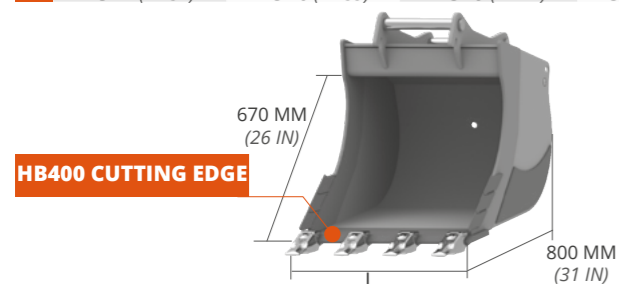


L MM (IN)	WEIGHT KG* (LB*)	CAP. SAE L (GAL)	TEETH N°	ADAPTERS
300 (12)	52 (114)	78 (20,6)	3	AF - AR - CS CR - S - CM CW - CS JANUS PRO
400 (16)	63 (138)	105 (27,7)	3	AF - AR - CS CR - S - CM CW - CS JANUS PRO
500 (20)	76 (167)	140 (36,9)	4	AF - AR - CS CR - S - CM CW - CS JANUS PRO
600 (24)	91 (200)	165 (43,5)	4	AF - AR - CS CR - S - CM CW - CS JANUS PRO
800 (31)	112 (246)	225 (59,4)	5	AF - AR - CS CR - S - CM CW - CS JANUS PRO

\* weight of the tank excluding attachment

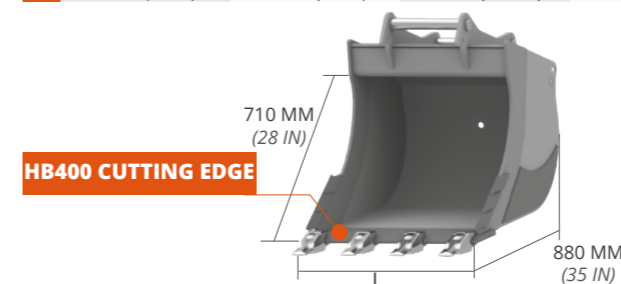
\* weight of the tank excluding attachment

## SCS67 HD MACHINE WEIGHT 4,0 - 6,0 (8818 - 13228 lb)



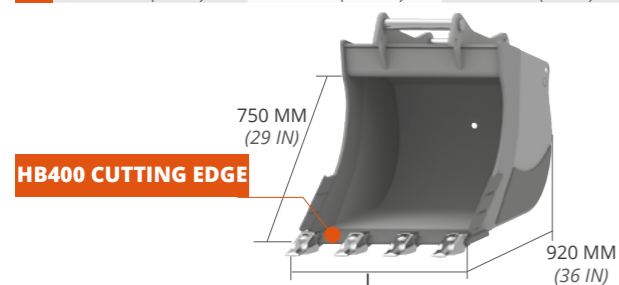
L MM (IN)	WEIGHT KG* (LB*)	CAP. SAE L (GAL)	TEETH N°	ADAPTERS
300 (12)	75 (165)	90 (23,7)	3	AF - AR - CS CR - S - CM CW - CS JANUS PRO
400 (16)	85 (187)	130 (34,3)	3	AF - AR - CS CR - S - CM CW - CS JANUS PRO
500 (20)	105 (231)	170 (44,9)	4	AF - AR - CS CR - S - CM CW - CS JANUS PRO
600 (24)	122 (269)	200 (52,8)	4	AF - AR - CS CR - S - CM CW - CS JANUS PRO
800 (31)	160 (353)	280 (73,9)	5	AF - AR - CS CR - S - CM CW - CS JANUS PRO

## SCS71 HD MACHINE WEIGHT 6,0 - 7,5 (13228 - 16535 lb)



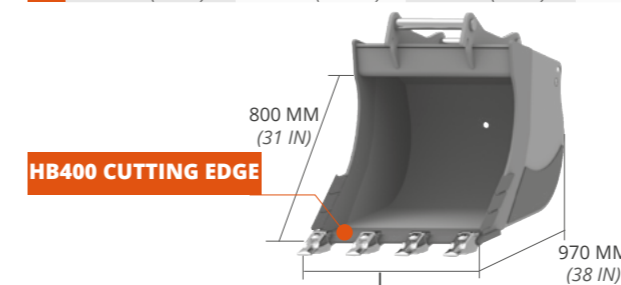
L MM (IN)	WEIGHT KG* (LB*)	CAP. SAE L (GAL)	TEETH N°	ADAPTERS
400 (16)	108 (238)	150 (39,6)	3	AF - AR - CS CR - S - CM CW - CS JANUS PRO
500 (20)	130 (287)	190 (50,2)	4	AF - AR - CS CR - S - CM CW - CS JANUS PRO
600 (24)	154 (340)	230 (60,7)	4	AF - AR - CS CR - S - CM CW - CS JANUS PRO
700 (28)	176 (388)	260 (68,7)	5	AF - AR - CS CR - S - CM CW - CS JANUS PRO
800 (31)	197 (434)	315 (83,2)	5	AF - AR - CS CR - S - CM CW - CS JANUS PRO

## SCS75 HD MACHINE WEIGHT 7,5 - 9,0 (16535 - 1982 lb)



L MM (IN)	WEIGHT KG* (LB*)	CAP. SAE L (GAL)	TEETH N°	ADAPTERS
400 (16)	123 (271)	165 (43,6)	3	AF - CS CR - S - CM CW - CS JANUS PRO
500 (20)	282 (320)	210 (55,4)	4	AF - CS CR - S - CM CW - CS JANUS PRO
600 (24)	170 (375)	260 (68,7)	4	AF - CS CR - S - CM CW - CS JANUS PRO
700 (28)	198 (437)	300 (79,2)	5	AF - CS CR - S - CM CW - CS JANUS PRO
800 (31)	220 (485)	350 (94,2)	5	AF - CS CR - S - CM CW - CS JANUS PRO
1000 (39)	263 (580)	450 (118,9)	5	AF - CS CR - S - CM CW - CS JANUS PRO

## SCS80 HD MACHINE WEIGHT 9,0 - 12,0 (1982 - 26455 lb)

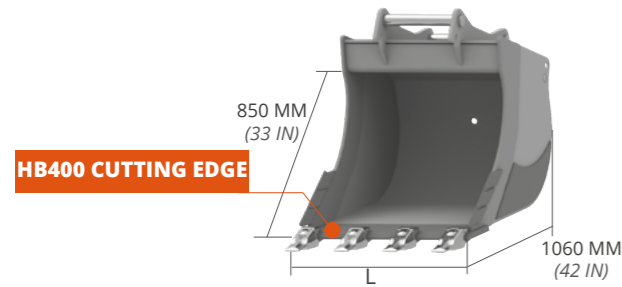


L MM (IN)	WEIGHT KG* (LB*)	CAP. SAE L (GAL)	TEETH N°	ADAPTERS
400 (16)	133 (293)	190 (50,2)	3	AF - CS CR - S - CM CW - CS JANUS PRO
500 (20)	153 (337)	245 (64,7)	3	AF - CS CR - S - CM CW - CS JANUS PRO
600 (24)	178 (392)	300 (79,2)	4	AF - CS CR - S - CM CW - CS JANUS PRO
700 (28)	209 (460)	350 (92,4)	4	AF - CS CR - S - CM CW - CS JANUS PRO
800 (31)	234 (515)	400 (105,7)	5	AF - CS CR - S - CM CW - CS JANUS PRO
1000 (39)	283 (623)	500 (132,1)	5	AF - CS CR - S - CM CW - CS JANUS PRO

\* weight of the tank excluding attachment

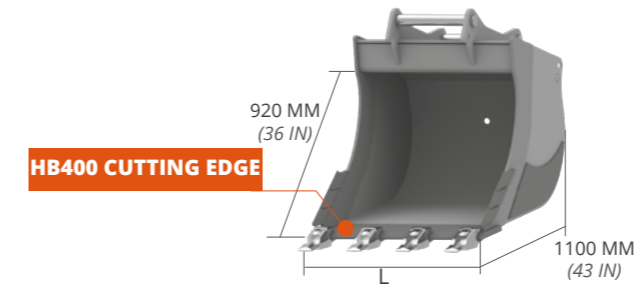
\* weight of the tank excluding attachment

## SCS85 HD MIDI MACHINE WEIGHT 12,0 - 14,0 (26455 - 30865 lb)



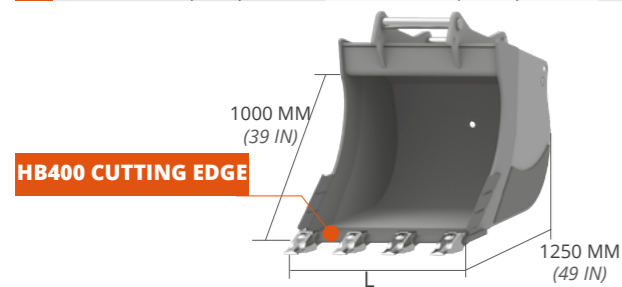
L MM (IN)	WEIGHT KG* (LB*)	CAP. SAE L (GAL)	TEETH N°	ADAPTERS
500 (20)	197 (434)	265 (70,0)	3	AF - S - CM CS - CW CS JANUS PRO
600 (24)	225 (496)	330 (87,1)	4	AF - S - CM CS - CW CS JANUS PRO
700 (28)	256 (564)	400 (105,7)	4	AF - S - CM CS - CW CS JANUS PRO
800 (31)	284 (626)	450 (118,8)	5	AF - S - CM CS - CW CS JANUS PRO
900 (39)	312 (687)	500 (132,1)	5	AF - S - CM CS - CW CS JANUS PRO
1000 (39)	342 (754)	580 (153,2)	5	AF - S - CM CS - CW CS JANUS PRO
1200 (47)	383 (844)	740 (195,5)	6	AF - S - CM CS - CW CS JANUS PRO

## SCS92 HD EXCAVATOR MACHINE WEIGHT 12,0 - 14,0 (26455 - 30865 lb)



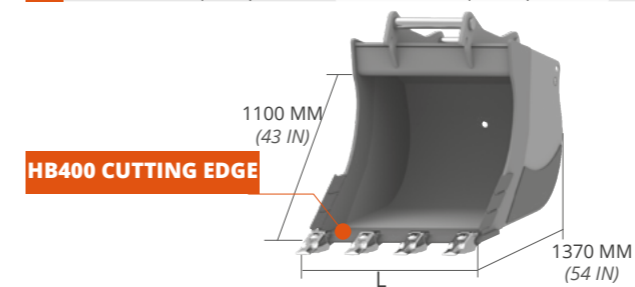
L MM (IN)	WEIGHT KG* (LB*)	CAP. SAE L (GAL)	TEETH N.	ADAPTERS
600 (24)	261 (575)	380 (100,4)	4	AF - S - CM CS - CW CS JANUS PRO
700 (28)	287 (633)	450 (118,9)	4	AF - S - CM CS - CW CS JANUS PRO
800 (31)	320 (705)	560 (147,9)	5	AF - S - CM CS - CW CS JANUS PRO
900 (35)	352 (776)	620 (163,8)	5	AF - S - CM CS - CW CS JANUS PRO
1000 (39)	395 (871)	700 (184,9)	5	AF - S - CM CS - CW CS JANUS PRO
1200 (47)	454 (1001)	900 (237,7)	6	AF - S - CM CS - CW CS JANUS PRO

## SCS100 HD MACHINE WEIGHT 14,0 - 18,0 t (30865 - 39683 lb)



L MM (IN)	WEIGHT KG* (LB*)	CAP. SAE L (GAL)	TEETH N.	ADAPTERS
600 (24)	353 (778)	450 (118,9)	3	AF - S - CM CS - CW CS JANUS PRO
700 (28)	397 (875)	535 (141,3)	4	AF - S - CM CS - CW CS JANUS PRO
800 (31)	441 (972)	620 (163,7)	4	AF - S - CM CS - CW CS JANUS PRO
900 (35)	485 (1069)	710 (187,5)	4	AF - S - CM CS - CW CS JANUS PRO
1000 (39)	529 (1166)	800 (211,3)	5	AF - S - CM CS - CW CS JANUS PRO
1200 (47)	617 (1360)	980 (258,8)	5	AF - S - CM CS - CW CS JANUS PRO

## SCS110 HD MACHINE WEIGHT 18,0 - 22,0 t (39683 - 48502 lb)



L MM (IN)	WEIGHT KG* (LB*)	CAP. SAE L (GAL)	TEETH N.	ADAPTERS
600 (24)	457 (1008)	480 (126,8)	3	AF - S - CM CS - CW CS JANUS PRO
800 (31)	559 (1232)	690 (182,3)	4	AF - S - CM CS - CW CS JANUS PRO
1000 (39)	671 (1479)	900 (237,7)	5	AF - S - CM CS - CW CS JANUS PRO
1200 (47)	773 (1704)	1110 (293,2)	5	AF - S - CM CS - CW CS JANUS PRO
1300 (52)	824 (1817)	1220 (322,2)	6	AF - S - CM CS - CW CS JANUS PRO
1400 (55)	875 (1929)	1330 (351,3)	6	AF - S - CM CS - CW CS JANUS PRO

\* weight of the tank excluding attachment

\* weight of the tank excluding attachment

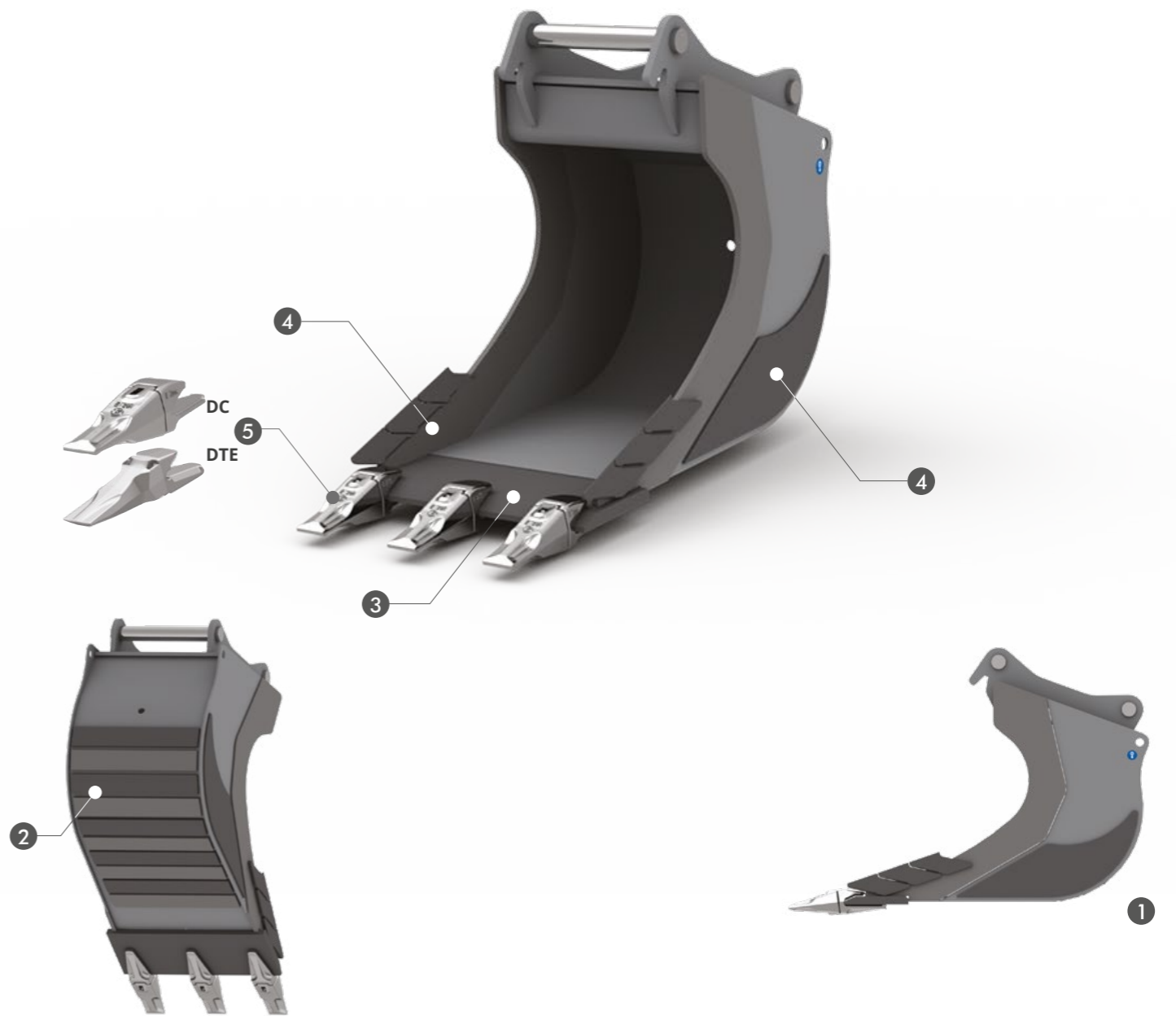




HB400



ITS ELONGATED PROFILE AVOIDS THAT THE GROUND STICKS TO THE BUCKET'S SIDE WALLS AND SIMPLIFIES THE DISCHARGE OF LOAMY AND WET MATERIALS. ITS HOLLOW SIDE WALLS HELP THE CROSSING OF GAS AND HYDRAULIC PIPES OR PLANTS, ETC. THE BLADE, THE SIDE CAST CUTTERS AND SIDE REINFORCEMENTS AND THE REAR STRIPS ARE MADE OF HB400.

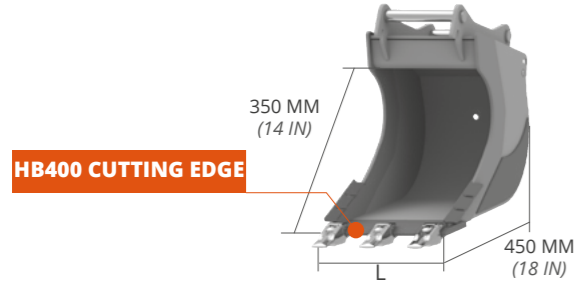


## STANDARD TECHNICAL FEATURES

- 1 ELONGATED PROFILE**
- 2 HB400 REINFORCING STRIPS**  
THE HORIZONTAL REINFORCING STRIPS ON THE BUCKET'S REAR AND BOTTOM PROTECT THE BUCKET FROM WEAR AND INCREASE ITS RESISTANCE.
- 3 HB400 CUTTING EDGE**
- 4 HB400 SIDE CAST CUTTERS AND SIDE REINFORCEMENTS**  
THESE HB400 CAST CUTTERS ARE POSITIONED ON THE SURFACES MOSTLY SUBJECT TO WEAR GRANTING A HIGHER RESISTANCE.
- 5 DC TEETH DTE TEETH**

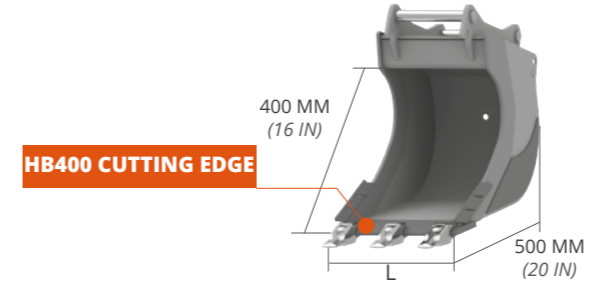
MOD.	MIDI EXCAVATOR											
	BS 35HD	BS 40HD	BS 48HD	BS 60HD	BS 67HD	BS 71HD	BS 75HD	BS 80HD	BS 85HD	BS 92HD	BS 100HD	BS 110HD
TONS (LB)	0,8 - 1,5 (1764 - 3307)	1,5 - 2,0 (3307 - 4409)	2,0 - 3,0 (4409 - 6614)	3,0 - 4,0 (6614 - 8818)	4,0 - 6,0 (8818 - 13228)	6,0 - 7,5 (13228 - 16535)	7,5 - 9,0 (16535 - 19842)	9,0 - 12,0 (19842 - 26455)	12,0 - 14,0 (26455 - 30865)	12,0 - 14,0 (26455 - 30865)	14,0 - 18,0 (30865 - 39683)	18,0 - 22,0 (39683 - 48502)

## BS35 HD MACHINE WEIGHT 0,8 - 1,5 (1764 - 3307 lb)



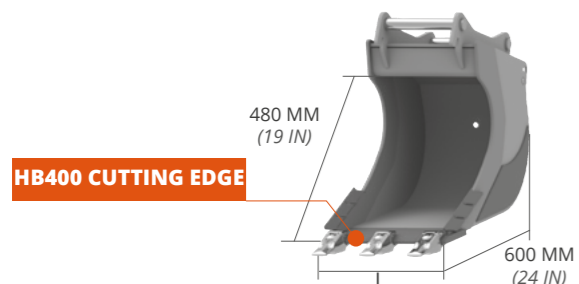
L MM (IN)	WEIGHT KG* (LB*)	CAP. SAE L (GAL)	TEETH N°	ADAPTERS
250 (10)	22 (49)	24 (6,3)	3	AF - AR - CS CR - S - CM CW - CS JANUS PRO
300 (12)	24 (53)	29 (7,7)	3	AF - AR - CS CR - S - CM CW - CS JANUS PRO
350 (14)	27 (60)	35 (9,2)	3	AF - AR - CS CR - S - CM CW - CS JANUS PRO
400 (16)	31 (68)	41 (10,1)	3	AF - AR - CS CR - S - CM CW - CS JANUS PRO

## BS40 HD MACHINE WEIGHT 1,5 - 2,0 (3307 - 4409 lb)



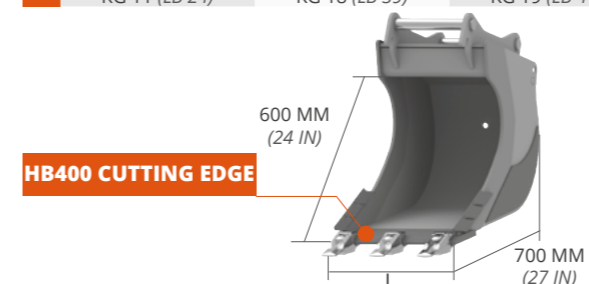
L MM (IN)	WEIGHT KG* (LB*)	CAP. SAE L (GAL)	TEETH N°	ADAPTERS
250 (10)	25 (55)	24 (6,3)	3	AF - AR - CS CR - S - CM CW - CS JANUS PRO
300 (12)	27 (60)	30 (7,9)	3	AF - AR - CS CR - S - CM CW - CS JANUS PRO
350 (14)	30 (66)	37 (9,7)	3	AF - AR - CS CR - S - CM CW - CS JANUS PRO
400 (16)	34 (75)	44 (11,6)	3	AF - AR - CS CR - S - CM CW - CS JANUS PRO

## BS48 HD MACHINE WEIGHT 2,0 - 3,0 (4409 - 6614 lb)



L MM (IN)	WEIGHT KG* (LB*)	CAP. SAE L (GAL)	TEETH N°	ADAPTERS
250 (10)	37 (81)	36 (9,5)	3	AF - AR - CS CR - S - CM CW - CS JANUS PRO
300 (12)	42 (92)	45 (,)	3	AF - AR - CS CR - S - CM CW - CS JANUS PRO
350 (14)	47 (103)	54 (11,8)	3	AF - AR - CS CR - S - CM CW - CS JANUS PRO
400 (16)	53 (116)	63 (16,6)	3	AF - AR - CS CR - S - CM CW - CS JANUS PRO
500 (20)	64 (141)	83 (21,9)	4	AF - AR - CS CR - S - CM CW - CS JANUS PRO

## BS60 HD MACHINE WEIGHT 3,0 - 4,0 (6614 - 8818 lb)

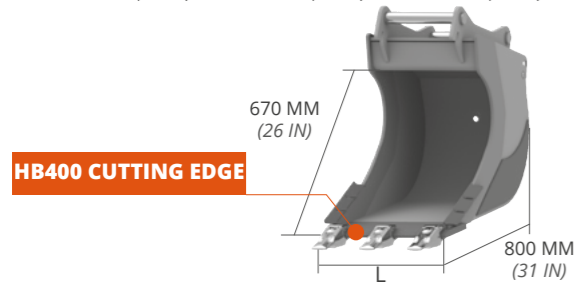
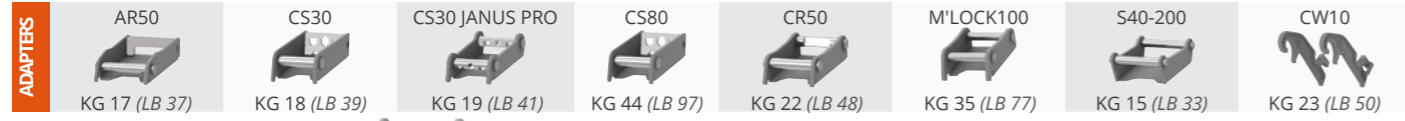


L MM (IN)	WEIGHT KG* (LB*)	CAP. SAE L (GAL)	TEETH N°	ADAPTERS
250 (10)	48 (105)	54 (14,3)	3	AF - AR - CS CR - S - CM CW - CS JANUS PRO
300 (12)	53 (116)	66 (17,4)	3	AF - AR - CS CR - S - CM CW - CS JANUS PRO
350 (14)	60 (132)	79 (20,9)	3	AF - AR - CS CR - S - CM CW - CS JANUS PRO
400 (16)	66 (145)	93 (24,6)	3	AF - AR - CS CR - S - CM CW - CS JANUS PRO
500 (20)	78 (172)	121 (31,9)	4	AF - AR - CS CR - S - CM CW - CS JANUS PRO

\* weight of the tank excluding attachment

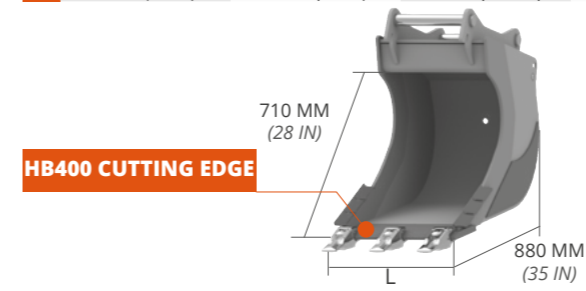
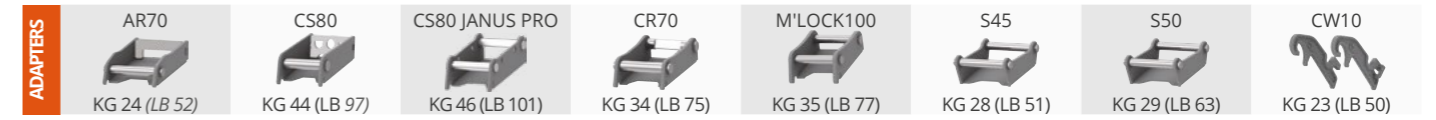
\* weight of the tank excluding attachment

## BS67 HD MACHINE WEIGHT 4,0 - 6,0 (8818 - 13228 lb)



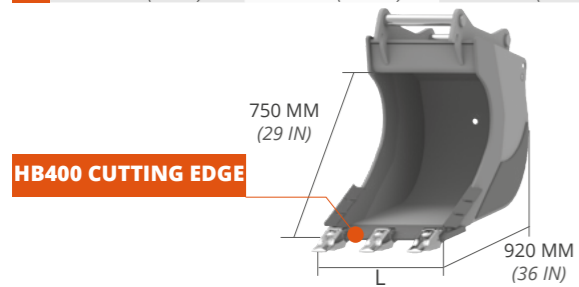
L MM (IN)	WEIGHT KG* (LB*)	CAP. SAE L (GAL)	TEETH N°	ADAPTERS
300 (12)	70 (154)	78 (20,6)	3	AF - AR - CS
				CR - S - CM
				CW - CS JANUS PRO
350 (14)	80 (176)	95 (25,1)	3	AF - AR - CS
				CR - S - CM
				CW - CS JANUS PRO
400 (16)	90 (198)	111 (29,3)	3	AF - AR - CS
				CR - S - CM
				CW - CS JANUS PRO
500 (20)	109 (240)	146 (38,5)	4	AF - AR - CS
				CR - S - CM
				CW - CS JANUS PRO

## BS71 HD MACHINE WEIGHT 6,0 - 7,5 (13228 - 16535 lb)



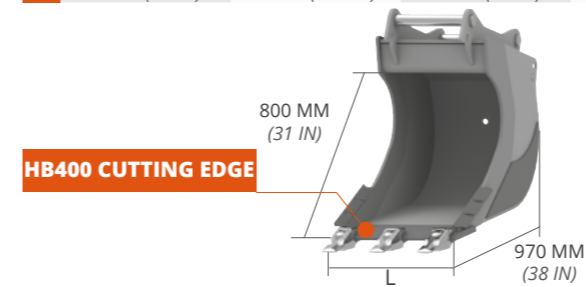
L MM (IN)	WEIGHT KG* (LB*)	CAP. SAE L (GAL)	TEETH N°	ADAPTERS
350 (14)	101 (223)	112 (29,6)	3	AF - AR - CS
				CR - S - CM
				CW - CS JANUS PRO
400 (16)	111 (245)	132 (34,9)	3	AF - AR - CS
				CR - S - CM
				CW - CS JANUS PRO
500 (20)	133 (293)	172 (45,4)	4	AF - AR - CS
				CR - S - CM
				CW - CS JANUS PRO
600 (24)	152 (335)	215 (56,7)	4	AF - AR - CS
				CR - S - CM
				CW - CS JANUS PRO

## BS75 HD MACHINE WEIGHT 7,5 - 9,0 (16535 - 1982 lb)



L MM (IN)	WEIGHT KG* (LB*)	CAP. SAE L (GAL)	TEETH N°	ADAPTERS
350 (14)	106 (234)	117 (30,9)	3	AF - CS
				CR - S - CM
				CW - CS JANUS PRO
400 (16)	118 (260)	138 (36,5)	3	AF - CS
				CR - S - CM
				CW - CS JANUS PRO
500 (20)	138 (304)	181 (47,8)	4	AF - CS
				CR - S - CM
				CW - CS JANUS PRO
600 (24)	160 (353)	226 (59,7)	4	AF - CS
				CR - S - CM
				CW - CS JANUS PRO

## BS80 HD MACHINE WEIGHT 9,0 - 12,0 (1982 - 26455 lb)

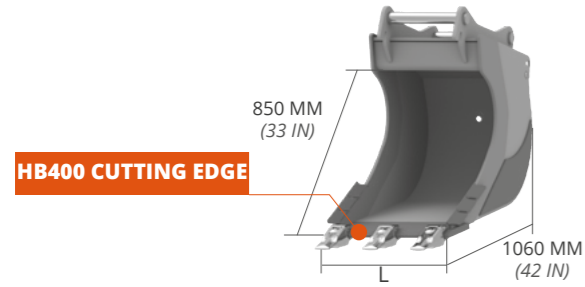


L MM (IN)	WEIGHT KG* (LB*)	CAP. SAE L (GAL)	TEETH N°	ADAPTERS
400 (16)	130 (286)	161 (42,5)	3	AF - CS
				CR - S - CM
				CW - CS JANUS PRO
500 (20)	157 (346)	210 (55,4)	3	AF - CS
				CR - S - CM
				CW - CS JANUS PRO
600 (24)	186 (410)	261 (68,9)	4	AF - CS
				CR - S - CM
				CW - CS JANUS PRO

\* weight of the tank excluding attachment

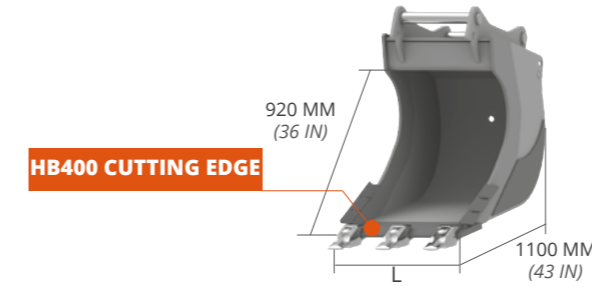
\* weight of the tank excluding attachment

## BS85 HD MIDI MACHINE WEIGHT 12,0 - 14,0 (26455 - 30865 lb)



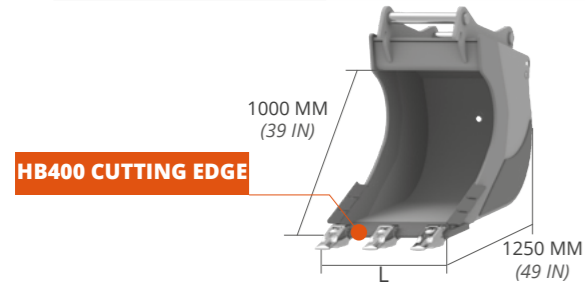
L MM (IN)	WEIGHT KG* (LB*)	CAP. SAE L (GAL)	TEETH N°	ADAPTERS
400 (16)	164 (361)	184 (48,6)	3	AF - S - CM
				CS - CW
				CS JANUS PRO
500 (20)	192 (423)	242 (63,9)	3	AF - S - CM
				CS - CW
				CS JANUS PRO
600 (24)	220 (485)	301 (79,5)	4	AF - S - CM
				CS - CW
				CS JANUS PRO

## BS92 HD EXCAVATOR MACHINE WEIGHT 12,0 - 14,0 (26455 - 30865 lb)



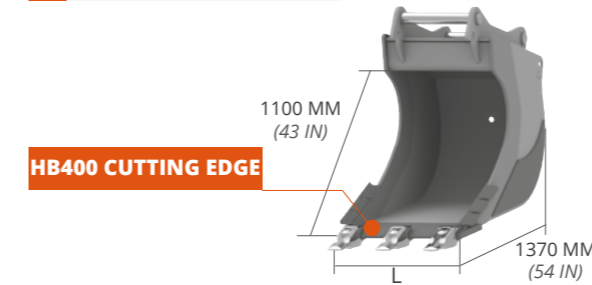
L MM (IN)	WEIGHT KG* (LB*)	CAP. SAE L (GAL)	TEETH N°	ADAPTERS
400 (16)	188 (414)	206 (54,4)	3	AF - S - CM
				CS - CW
				CS JANUS PRO
500 (20)	225 (496)	270 (71,3)	3	AF - S - CM
				CS - CW
				CS JANUS PRO
600 (24)	256 (564)	337 (89,0)	4	AF - S - CM
				CS - CW
				CS JANUS PRO

## BS100 HD MACHINE WEIGHT 14,0 - 18,0 t (30865 - 39683 lb)



L MM (IN)	WEIGHT KG* (LB*)	CAP. SAE L (GAL)	TEETH N°	ADAPTERS
400 (16)	259 (571)	245 (64,7)	3	AF - S - CM
				CS - CW
				CS JANUS PRO
500 (20)	301 (664)	320 (84,5)	3	AF - S - CM
				CS - CW
				CS JANUS PRO
600 (24)	343 (756)	398 (105,1)	3	AF - S - CM
				CS - CW
				CS JANUS PRO

## BS110 HD MACHINE WEIGHT 18,0 - 22,0 t (39683 - 48502 lb)



L MM (IN)	WEIGHT KG* (LB*)	CAP. SAE L (GAL)	TEETH N°	ADAPTERS
400 (16)	335 (739)	283 (74,8)	3	AF - S - CM
				CS - CW
				CS JANUS PRO
500 (20)	385 (761)	372 (98,3)	3	AF - S - CM
				CS - CW
				CS JANUS PRO
600 (24)	435 (860)	464 (122,6)	3	AF - S - CM
				CS - CW
				CS JANUS PRO

\* weight of the tank excluding attachment

\* weight of the tank excluding attachment



## STANDARD TECHNICAL FEATURES

- 1 ELONGATED PROFILE**
- 2 HB400 REINFORCING STRIPS**  
THE HORIZONTAL REINFORCING STRIPS ON THE BUCKET'S REAR AND BOTTOM PROTECT THE BUCKET FROM WEAR AND INCREASE ITS RESISTANCE.
- 3 HB400 CUTTING EDGE**
- 4 HB400 SIDE CAST CUTTERS AND SIDE REINFORCEMENTS**  
THESE HB400 CAST CUTTERS ARE POSITIONED ON THE SURFACES MOSTLY SUBJECT TO WEAR GRANTING A HIGHER RESISTANCE.
- 5 8° CONE SHAPE**

## OPTIONAL

- 6 BEZEL**  
IT ENSURES A HIGHER STRUCTURAL RESISTANCE. **HIGHLY RECOMMENDED WITH BUCKETS 1400MM WIDE OR MORE.**
- 7 REAR RAZOR**  
WHEN THE MACHINE'S ARM IS KEPT CLOSED, IT ALLOWS TO FINISH SURFACES EVENLY.
- 8 HB500 WELDED ADDITIONAL CUTTING EDGE**  
Recommended to work on particularly abrasive soils.

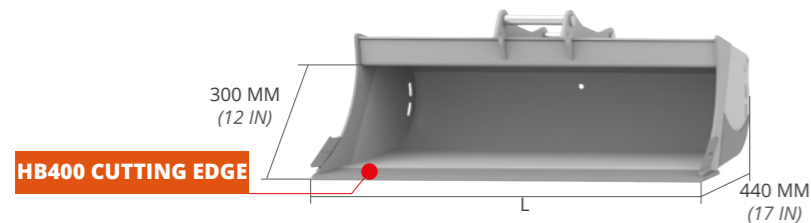
THE SPECIAL HOLLOW PROFILE MAKES IT SUITABLE FOR A COMBINED USAGE WITH THE ROTOTWIST SYSTEM. THE 8° CONE-SHAPE REAR FORM ENABES THE BUCKET TO ROTATE INSIDE THE EXCAVATION AREA WITHOUT SPOILING IT. IT HAS BEEN REINFORCED IN ALL THE MOST STRESSED AREAS. THE BLADE, THE SIDE CAST CUTTERS AND SIDE REINFORCEMENTS AND THE REAR STRIPS ARE MADE OF HB400.

**THE INSTALLATION OF BEZELS IS HIGHLY RECOMMENDED FOR BUCKETS WIDER THAN 1400 MM, IN ORDER TO AVOID DAMAGES TO THE BUCKET IN CASE OF HEAVY DUTY JOBS OR WITH PARTICULARLY HARD TERRAINS:**

- WIDTH FROM 1400 TO 1500 MM: NR. 1 BEZEL
- WIDTH FROM 1600 TO 1600 MM: NR. 2 BEZELS
- WIDTH FROM 1800 TO 2200 MM: NR. 3 BEZELS

MOD.	MIDI						EXCAVATOR		
	SPS 30 8°HD	SPS 35 8°HD	SPS 40 8°HD	SPS 45 8°HD	SPS 50 8°HD	SPS 55 8°HD	SPS 60 8°HD	SPS 65 8°HD	SPS 70 8°HD
TONS (LB)	0,8 - 1,5 (1764 - 3307)	1,5 - 2,0 (3307 - 4409)	2,0 - 3,0 (4409 - 6614)	3,0 - 4,0 (6614 - 8818)	4,0 - 6,0 (8818 - 13228)	6,0 - 7,5 (13228 - 16535)	7,5 - 12,0 (16535 - 26456)	12,0 - 18,0 (26456 - 39683)	18,0 - 22,0 (39683 - 48502)

## SPS30 8°HD MACHINE WEIGHT 0,8 - 1,5 (1764 - 3307 lb)

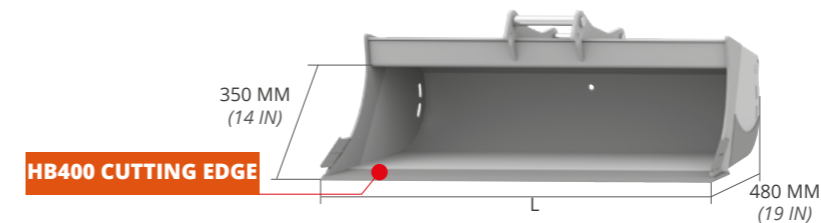


L MM (IN)	WEIGHT KG* (LB*)	CAP. SAE L (GAL)	ADAPTERS
600 (24)	32 (70)	42 (11,1)	AF - AR - CS CR - S - CM CW - CS JANUS PRO
700 (28)	38 (83)	50 (13,2)	AF - AR - CS CR - S - CM CW - CS JANUS PRO
800 (31)	43 (94)	58 (22,4)	AF - AR - CS CR - S - CM CW - CS JANUS PRO

### OPTIONAL

6	7
REAR RAZOR	HB500 WELDED ADDITIONAL CUTTING EDGE

## SPS35 8°HD MACHINE WEIGHT 1,5 - 2,0 (3307 - 4409 lb)

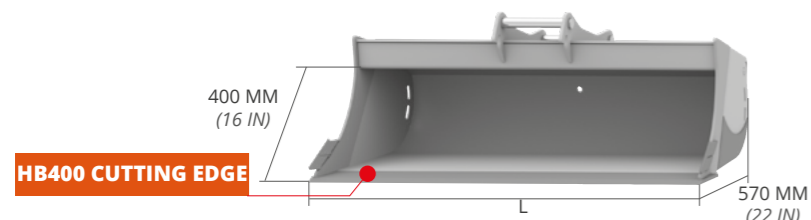


L MM (IN)	WEIGHT KG* (LB*)	CAP. SAE L (GAL)	ADAPTERS
800 (31)	51 (112)	75 (19,8)	AF - AR - CS CR - S - CM CW - CS JANUS PRO
900 (35)	57 (125)	85 (22,4)	AF - AR - CS CR - S - CM CW - CS JANUS PRO
1000 (39)	63 (138)	95 (25,1)	AF - AR - CS CR - S - CM CW - CS JANUS PRO
1200 (47)	76 (167)	115 (30,4)	AF - AR - CS CR - S - CM CW - CS JANUS PRO

### OPTIONAL

6	7
REAR RAZOR	HB500 WELDED ADDITIONAL CUTTING EDGE

## SPS40 8°HD MACHINE WEIGHT 2,0 - 3,0 (4409 - 6614 lb)

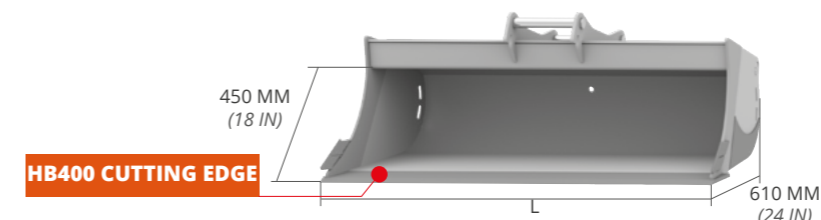


L MM (IN)	WEIGHT KG* (LB*)	CAP. SAE L (GAL)	ADAPTERS
1000 (39)	84 (185)	115 (30,4)	AF - AR - CS CR - S - CM CW - CS JANUS PRO
1100 (43)	93 (205)	129 (34,1)	AF - AR - CS CR - S - CM CW - CS JANUS PRO
1200 (47)	101 (222)	143 (37,8)	AF - AR - CS CR - S - CM CW - CS JANUS PRO
1400 (55)	118 (260)	157 (41,5)	AF - AR - CS CR - S - CM CW - CS JANUS PRO

### OPTIONAL

6	7
REAR RAZOR	HB500 WELDED ADDITIONAL CUTTING EDGE

## SPS45 8°HD MACHINE WEIGHT 3,0 - 4,0 (6614 - 8818 lb)



L MM (IN)	WEIGHT KG* (LB*)	CAP. SAE L (GAL)	ADAPTERS
1000 (39)	108 (238)	132 (34,9)	AF - AR - CS CR - S - CM CW - CS JANUS PRO
1100 (43)	118 (260)	150 (39,6)	AF - AR - CS CR - S - CM CW - CS JANUS PRO
1200 (47)	125 (275)	168 (44,4)	AF - AR - CS CR - S - CM CW - CS JANUS PRO
1400 (55)	147 (324)	204 (53,9)	AF - AR - CS CR - S - CM CW - CS JANUS PRO
1500 (59)	159 (350)	222 (58,6)	AF - AR - CS CR - S - CM CW - CS JANUS PRO

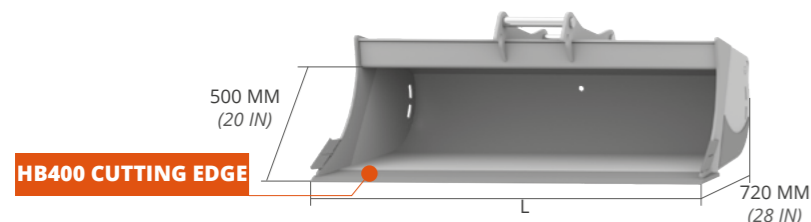
### OPTIONAL

6	7
REAR RAZOR	HB500 WELDED ADDITIONAL CUTTING EDGE

\* weight of the tank excluding attachment

\* weight of the tank excluding attachment

## SPS50 8°HD MACHINE WEIGHT 4,0 - 6,0 (8818 - 13228 lb)

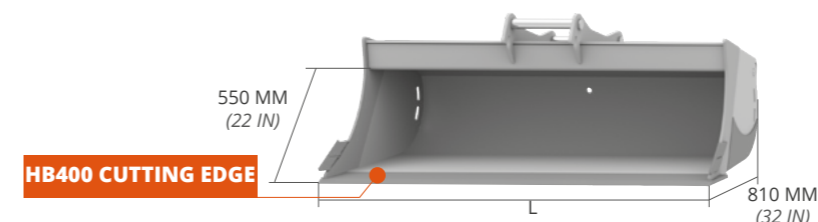


L MM (IN)	WEIGHT KG* (LB*)	CAP. SAE L (GAL)	ADAPTERS
1200 (47)	158 (348)	210 (55,5)	AF - AR - CS CR - S - CM CW - CS JANUS PRO
1300 (51)	170 (374)	230 (60,8)	AF - AR - CS CR - S - CM CW - CS JANUS PRO
1400 (55)	182 (401)	250 (66,0)	AF - AR - CS CR - S - CM CW - CS JANUS PRO
1600 (63)	206 (454)	290 (76,7)	AF - AR - CS CR - S - CM CW - CS JANUS PRO

### OPTIONAL

5	6	7
BEZEL	REAR RAZOR	HB500 WELDED ADDITIONAL CUTTING EDGE

## SPS55 8°HD MACHINE WEIGHT 6,0 - 7,5 (13228 - 16535 lb)

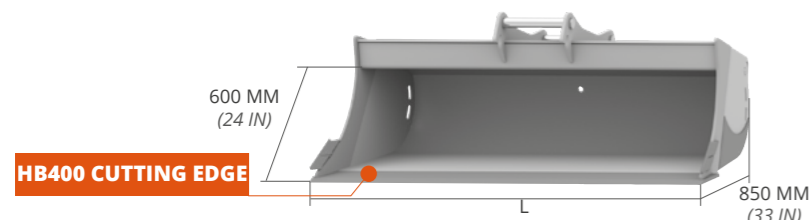


L MM (IN)	WEIGHT KG* (LB*)	CAP. SAE L (GAL)	ADAPTERS
1300 (51)	204 (449)	300 (79,2)	AF - AR - CS CR - S - CM CW - CS JANUS PRO
1400 (55)	219 (482)	325 (85,6)	AF - AR - CS CR - S - CM CW - CS JANUS PRO
1500 (59)	234 (515)	350 (92,4)	AF - AR - CS CR - S - CM CW - CS JANUS PRO
1600 (63)	248 (546)	375 (99,1)	AF - AR - CS CR - S - CM CW - CS JANUS PRO
1800 (71)	277 (610)	425 (112,3)	AF - AR - CS CR - S - CM CW - CS JANUS PRO

### OPTIONAL

5	6	7
BEZEL	REAR RAZOR	HB500 WELDED ADDITIONAL CUTTING EDGE

## SPS60 8°HD MIDI MACHINE WEIGHT 7,5 - 12,0 (16535 - 26456 lb)

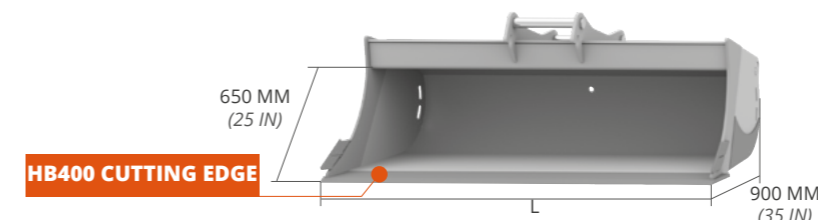


L MM (IN)	WEIGHT KG* (LB*)	CAP. SAE L (GAL)	ADAPTERS
1400 (55)	247 (544)	360 (95,1)	AF - CS CR - S - CM CW - CS JANUS PRO
1500 (59)	263 (579)	400 (105,7)	AF - CS CR - S - CM CW - CS JANUS PRO
1600 (63)	279 (615)	430 (113,6)	AF - CS CR - S - CM CW - CS JANUS PRO
1800 (71)	309 (681)	490 (129,4)	AF - CS CR - S - CM CW - CS JANUS PRO
2000 (79)	346 (762)	550 (145,3)	AF - CS CR - S - CM CW - CS JANUS PRO

### OPTIONAL

5	6	7
BEZEL	REAR RAZOR	HB500 WELDED ADDITIONAL CUTTING EDGE

## SPS65 8°HD EXCAVATOR MACHINE WEIGHT 12,0 - 18,0 t (26456 - 39683 lb)



L MM (IN)	WEIGHT KG* (LB*)	CAP. SAE L (GAL)	ADAPTERS
1400 (55)	322 (710)	466 (123,1)	AF - S - CM CS - CW CS JANUS PRO
1500 (59)	344 (758)	500 (132,1)	AF - S - CM CS - CW CS JANUS PRO
1600 (63)	368(811)	534 (141,1)	AF - S - CM CS - CW CS JANUS PRO
1800 (71)	412 (908)	602 (159,1)	AF - S - CM CS - CW CS JANUS PRO
2000 (79)	455 (1003)	670 (176,1)	AF - S - CM CS - CW CS JANUS PRO

### OPTIONAL

5	6	7
BEZEL	REAR RAZOR	HB500 WELDED ADDITIONAL CUTTING EDGE

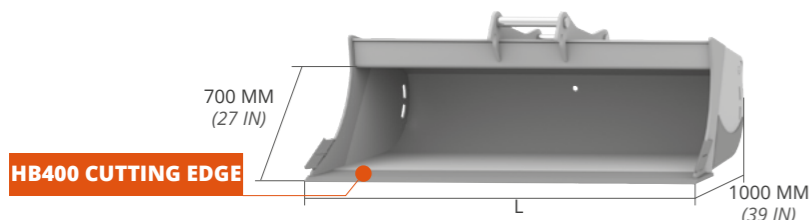
\* weight of the tank excluding attachment

\* weight of the tank excluding attachment

# SPS70 8°HD MACHINE WEIGHT 18,0 - 22,0 t (39683 - 48502 lb)

**ADAPTERS**

<b>CS100</b> KG 45 (LB 99)	<b>CS100 JANUS PRO</b> KG 93 (LB 205)	<b>M'LOCK100</b> KG 66 (LB 145)	<b>S60</b> KG 57 (LB 125)	<b>CW30</b> KG 66 (LB 145)
-------------------------------	------------------------------------------	------------------------------------	------------------------------	-------------------------------



**HB400 CUTTING EDGE**

## OPTIONAL

- 5 BEZEL
- 6 REAR RAZOR
- 7 HB500 WELDED ADDITIONAL CUTTING EDGE

L MM (IN)	WEIGHT KG* (LB*)	CAP. SAE L (GAL)	ADAPTERS
1500 (59)	422 (930)	600 (158,5)	AF - S - CM CS - CW CS JANUS PRO
1600 (63)	449 (989)	640 (169,1)	AF - S - CM CS - CW CS JANUS PRO
1800 (71)	503 (1108)	720 (190,2)	AF - S - CM CS - CW CS JANUS PRO
2000 (79)	555 (1223)	800 (211,3)	AF - S - CM CS - CW CS JANUS PRO
2200 (87)	605 (1333)	880 (232,5)	AF - S - CM CS - CW CS JANUS PRO

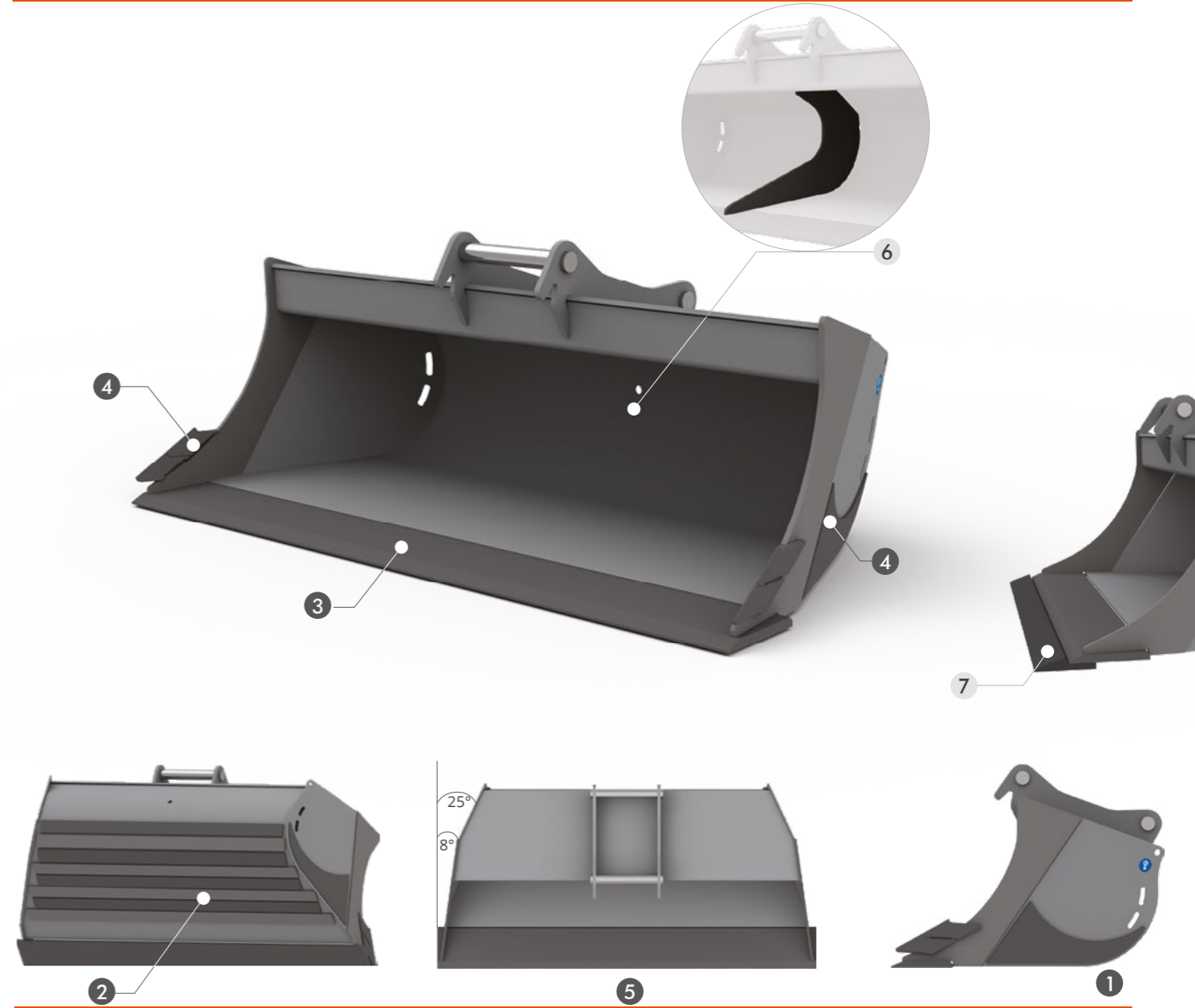


\* weight of the tank excluding attachment





HB400



### STANDARD TECHNICAL FEATURES

- 1 ELONGATED PROFILE**
- 2 HB400 REINFORCING STRIPS**  
THE HORIZONTAL REINFORCING STRIPS ON THE BUCKET'S REAR AND BOTTOM PROTECT THE BUCKET FROM WEAR AND INCREASE ITS RESISTANCE.
- 3 HB400 CUTTING EDGE**
- 4 HB400 SIDE CAST CUTTERS AND SIDE REINFORCEMENTS**  
THESE HB400 CAST CUTTERS ARE POSITIONED ON THE SURFACES MOSTLY SUBJECT TO WEAR GRANTING A HIGHER RESISTANCE.
- 5 8° CONE SHAPE AND 25° HOLLOW PROFILE**

### OPTIONAL

- 6 BEZEL**  
IT ENSURES A HIGHER STRUCTURAL RESISTANCE. **HIGHLY RECOMMENDED WITH BUCKETS 1400MM WIDE OR MORE.**
- 7 HB500 WELDED ADDITIONAL CUTTING EDGE**  
RECOMMENDED TO WORK ON PARTICULARLY ABRASIVE SOILS.

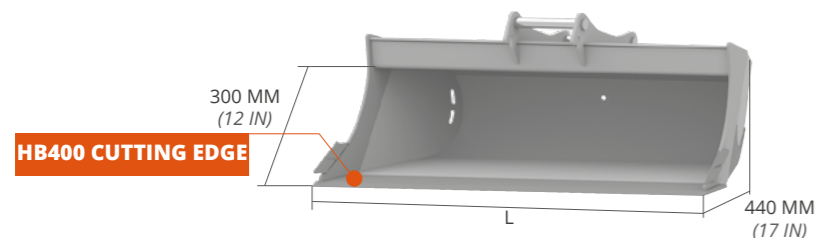
THE SPECIAL 25° HOLLOW PROFILE MAKES IT SUITABLE FOR A COMBINED USAGE WITH THE ROTOTWIST SYSTEM. THE 8° CONE-SHAPE REAR FORM ENABLES THE BUCKET TO ROTATE INSIDE THE EXCAVATION AREA WITHOUT SPOILING IT. IT HAS BEEN REINFORCED IN ALL THE MOST STRESSED AREAS. THE BLADE, THE SIDE CAST CUTTERS AND SIDE REINFORCEMENTS AND THE REAR STRIPS ARE MADE OF HB400.

**THE INSTALLATION OF BEZELS IS HIGHLY RECOMMENDED FOR BUCKETS WIDER THAN 1400 MM, IN ORDER TO AVOID DAMAGES TO THE BUCKET IN CASE OF HEAVY DUTY JOBS OR WITH PARTICULARLY HARD TERRAINS:**

- WIDTH FROM 1400 TO 1500 MM: NR. 1 BEZEL
- WIDTH FROM 1600 TO 1600 MM: NR. 2 BEZELS
- WIDTH FROM 1800 TO 2200 MM: NR. 3 BEZELS

MOD.	MIDI						EXCAVATOR		
	SPS 30 25°HD	SPS 35 25°HD	SPS 40 25°HD	SPS 45 25°HD	SPS 50 25°HD	SPS 55 25°HD	SPS 60 25°HD	SPS 65 25°HD	SPS 70 25°HD
TONS (LB)	0,8 - 1,5 (1764 - 3307)	1,5 - 2,0 (3307 - 4409)	2,0 - 3,0 (4409 - 6614)	3,0 - 4,0 (6614 - 8818)	4,0 - 6,0 (8818 - 13228)	6,0 - 7,5 (13228 - 16535)	7,5 - 12,0 (16535 - 26456)	12,0 - 18,0 (26456 - 39683)	18,0 - 22,0 (39683 - 48502)

## SPS30 25°HD MACHINE WEIGHT 0,8 - 1,5 (1764 - 3307 lb)

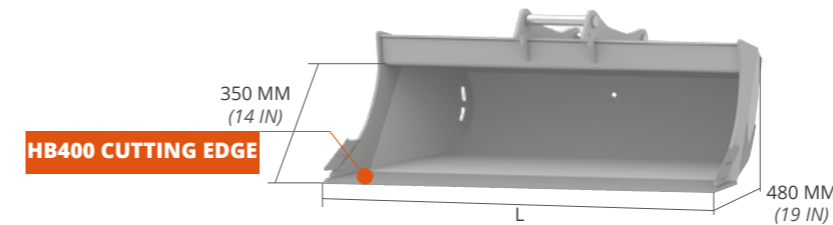


L MM (IN)	WEIGHT KG* (LB*)	CAP. SAE L (GAL)	ADAPTERS
600 (24)	30 (66)	41 (10,8)	AF - AR - CS CR - S - CM CW - CS JANUS PRO
700 (28)	36 (79)	49 (12,9)	AF - AR - CS CR - S - CM CW - CS JANUS PRO
800 (31)	41 (90)	57 (15,0)	AF - AR - CS CR - S - CM CW - CS JANUS PRO

### OPTIONAL

6  
HB500 WELDED ADDITIONAL CUTTING EDGE

## SPS35 25°HD MACHINE WEIGHT 1,5 - 2,0 (3307 - 4409 lb)

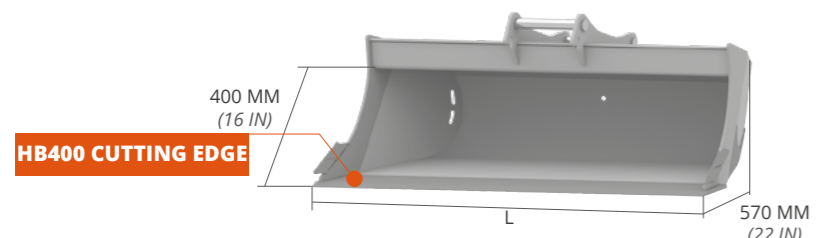


L MM (IN)	WEIGHT KG* (LB*)	CAP. SAE L (GAL)	ADAPTERS
800 (31)	49 (108)	74 (19,5)	AF - AR - CS CR - S - CM CW - CS JANUS PRO
900 (35)	55 (121)	84 (22,1)	AF - AR - CS CR - S - CM CW - CS JANUS PRO
1000 (39)	61 (134)	94 (24,8)	AF - AR - CS CR - S - CM CW - CS JANUS PRO
1200 (47)	74 (163)	114 (30,1)	AF - AR - CS CR - S - CM CW - CS JANUS PRO

### OPTIONAL

6  
HB500 WELDED ADDITIONAL CUTTING EDGE

## SPS40 25°HD MACHINE WEIGHT 2,0 - 3,0 (4409 - 6614 lb)

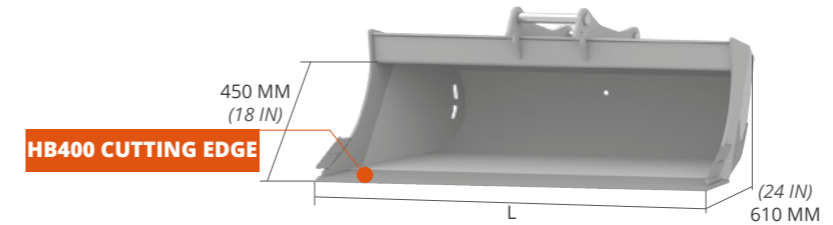


L MM (IN)	WEIGHT KG* (LB*)	CAP. SAE L (GAL)	ADAPTERS
1000 (39)	81 (178)	113 (29,8)	AF - AR - CS CR - S - CM CW - CS JANUS PRO
1100 (43)	90 (198)	127 (33,5)	AF - AR - CS CR - S - CM CW - CS JANUS PRO
1200 (47)	98 (216)	141 (37,2)	AF - AR - CS CR - S - CM CW - CS JANUS PRO
1400 (55)	115 (253)	155 (40,9)	AF - AR - CS CR - S - CM CW - CS JANUS PRO

### OPTIONAL

6  
HB500 WELDED ADDITIONAL CUTTING EDGE

## SPS45 25°HD MACHINE WEIGHT 3,0 - 4,0 (6614 - 8818 lb)



L MM (IN)	WEIGHT KG* (LB*)	CAP. SAE L (GAL)	ADAPTERS
1000 (39)	104 (229)	129 (34,0)	AF - AR - CS CR - S - CM CW - CS JANUS PRO
1100 (43)	114 (251)	147 (38,8)	AF - AR - CS CR - S - CM CW - CS JANUS PRO
1200 (47)	121 (266)	165 (43,6)	AF - AR - CS CR - S - CM CW - CS JANUS PRO
1400 (55)	143 (315)	201 (53,1)	AF - AR - CS CR - S - CM CW - CS JANUS PRO
1500 (59)	155 (341)	219 (57,8)	AF - AR - CS CR - S - CM CW - CS JANUS PRO

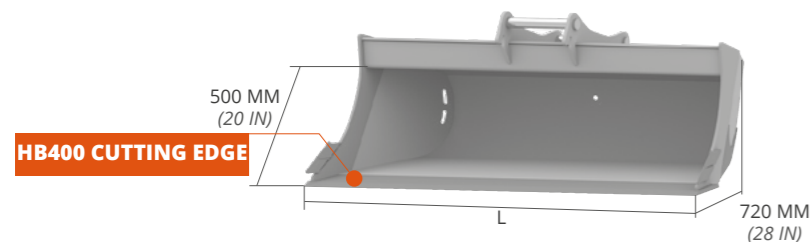
### OPTIONAL

6  
HB500 WELDED ADDITIONAL CUTTING EDGE

\* weight of the tank excluding attachment

\* weight of the tank excluding attachment

## SPS50 25°HD MACHINE WEIGHT 4,0 - 6,0 (8818 - 13228 lb)

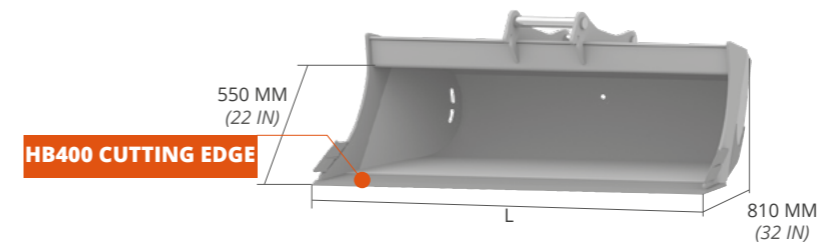


L MM (IN)	WEIGHT KG* (LB*)	CAP. SAE L (GAL)	ADAPTERS
1200 (47)	153 (337)	204 (53,8)	AF - AR - CS CR - S - CM CW - CS JANUS PRO
1300 (51)	165 (363)	224 (59,1)	AF - AR - CS CR - S - CM CW - CS JANUS PRO
1400 (55)	177 (390)	244 (64,4)	AF - AR - CS CR - S - CM CW - CS JANUS PRO
1600 (63)	201 (443)	284 (75,0)	AF - AR - CS CR - S - CM CW - CS JANUS PRO

### OPTIONAL

5	6
BEZEL	HB500 WELDED ADDITIONAL CUTTING EDGE

## SPS55 25°HD MACHINE WEIGHT 6,0 - 7,5 (13228 - 16535 lb)

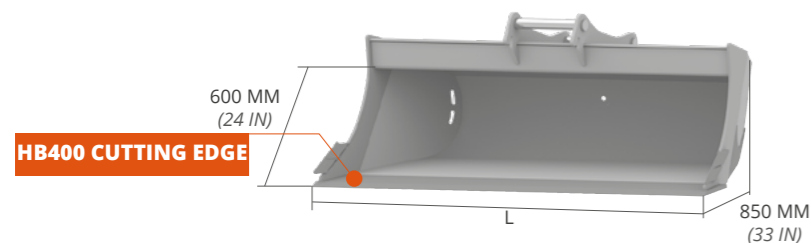


L MM (IN)	WEIGHT KG* (LB*)	CAP. SAE L (GAL)	ADAPTERS
1300 (51)	197 (434)	290 (76,6)	AF - AR - CS CR - S - CM CW - CS JANUS PRO
1400 (55)	219 (482)	315 (83,2)	AF - AR - CS CR - S - CM CW - CS JANUS PRO
1500 (59)	227 (500)	340 (89,8)	AF - AR - CS CR - S - CM CW - CS JANUS PRO
1600 (63)	241 (531)	365 (96,4)	AF - AR - CS CR - S - CM CW - CS JANUS PRO
1800 (71)	270 (595)	415 (109,6)	AF - AR - CS CR - S - CM CW - CS JANUS PRO

### OPTIONAL

5	6
BEZEL	HB500 WELDED ADDITIONAL CUTTING EDGE

## SPS60 25°HD MIDI MACHINE WEIGHT 7,5 - 12,0 (16535 - 26456 lb)

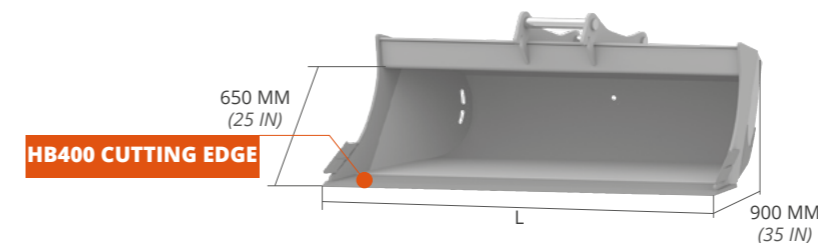


L MM (IN)	WEIGHT KG* (LB*)	CAP. SAE L (GAL)	ADAPTERS
1400 (55)	239 (526)	345 (91,1)	AF - CS CR - S - CM CW - CS JANUS PRO
1500 (59)	255 (562)	385 (101,7)	AF - CS CR - S - CM CW - CS JANUS PRO
1600 (63)	271 (597)	415 (109,6)	AF - CS CR - S - CM CW - CS JANUS PRO
1800 (71)	301 (663)	445 (117,5)	AF - CS CR - S - CM CW - CS JANUS PRO
2000 (79)	338 (745)	505 (133,4)	AF - CS CR - S - CM CW - CS JANUS PRO

### OPTIONAL

5	6
BEZEL	HB500 WELDED ADDITIONAL CUTTING EDGE

## SPS65 25°HD EXCAVATOR MACHINE WEIGHT 12,0 - 18,0 t (26456 - 39683 lb)



L MM (IN)	WEIGHT KG* (LB*)	CAP. SAE L (GAL)	ADAPTERS
1400 (55)	322 (709)	448 (118,3)	AF - S - CM CS - CW CS JANUS PRO
1500 (59)	346 (762)	482 (127,3)	AF - S - CM CS - CW CS JANUS PRO
1600 (63)	367 (809)	516 (136,3)	AF - S - CM CS - CW CS JANUS PRO
1800 (71)	414 (912)	584 (154,3)	AF - S - CM CS - CW CS JANUS PRO
2000 (79)	438 (965)	652 (172)	AF - S - CM CS - CW CS JANUS PRO

### OPTIONAL

5	6
BEZEL	HB500 WELDED ADDITIONAL CUTTING EDGE

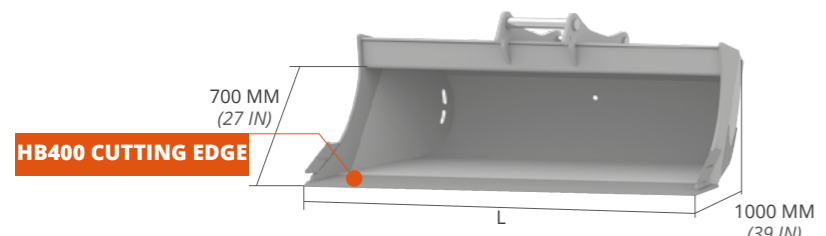
\* weight of the tank excluding attachment

\* weight of the tank excluding attachment

# SPS70 25°HD MACHINE WEIGHT 18,0 - 22,0 t (39683 - 48502 lb)

**ADAPTERS**

 CS100 KG 45 (LB 99)	 CS100 JANUS PRO KG 93 (LB 205)	 M'LOCK100 KG 66 (LB 145)	 S60 KG 57 (LB 125)	 CW30 KG 66 (LB 145)
-------------------------------------------------------------------------------------------------------------	------------------------------------------------------------------------------------------------------------------------	------------------------------------------------------------------------------------------------------------------	-------------------------------------------------------------------------------------------------------------	---------------------------------------------------------------------------------------------------------------



L MM (IN)	WEIGHT KG* (LB*)	CAP. SAE L (GAL)	ADAPTERS
1500 (59)	397 (875)	580 (153,2)	AF - S - CM CS - CW CS JANUS PRO
1600 (63)	424 (934)	620 (163,8)	AF - S - CM CS - CW CS JANUS PRO
1800 (71)	478 (1053)	700 (184,9)	AF - S - CM CS - CW CS JANUS PRO
2000 (79)	530 (1168)	780 (206,1)	AF - S - CM CS - CW CS JANUS PRO
2200 (87)	580 (1278)	860 (227,2)	AF - S - CM CS - CW CS JANUS PRO

**OPTIONAL**

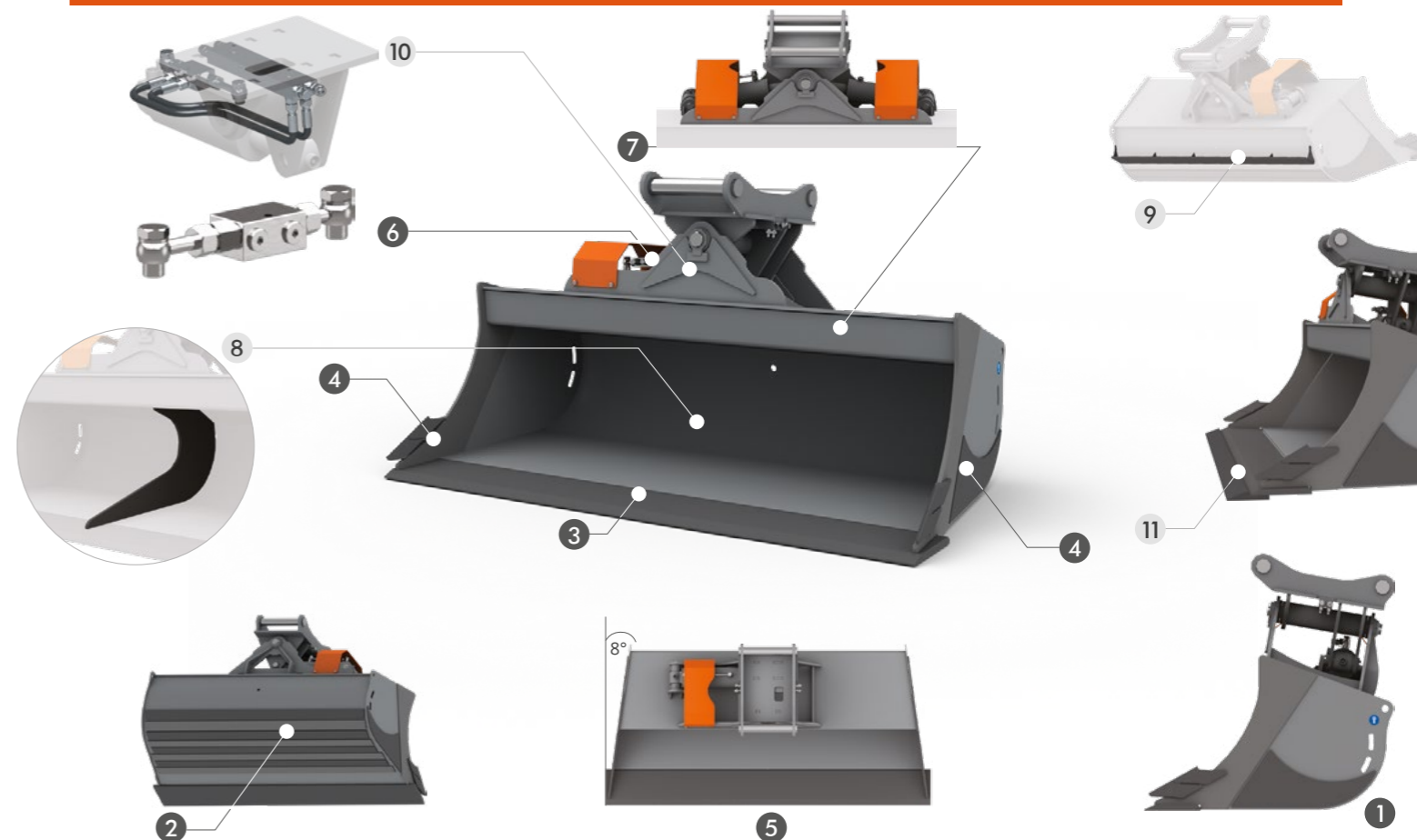
BEZEL	5	6
		HB500 WELDED ADDITIONAL CUTTING EDGE



\* weight of the tank excluding attachment



ADAPTERS



## STANDARD TECHNICAL FEATURES

- 1 ELONGATED PROFILE**
- 2 HB400 REINFORCING STRIPS**  
THE HORIZONTAL REINFORCING STRIPS ON THE BUCKET'S REAR AND BOTTOM PROTECT THE BUCKET FROM WEAR AND INCREASE ITS RESISTANCE.
- 3 HB400 CUTTING EDGE**
- 4 HB400 SIDE CAST CUTTERS AND SIDE REINFORCEMENTS**  
THESE HB400 CAST CUTTERS ARE POSITIONED ON THE SURFACES MOSTLY SUBJECT TO WEAR GRANTING A HIGHER RESISTANCE.
- 5 8° CONE SHAPE**
- 6 BLOCK VALVE**  
IT ALLOWS TO KEEP THE BUCKET POSITIONING DURING THE WORKING PHASE.
- 7 DOUBLE CYLINDER FOR SQS 65 8° HD AND SQS 70 8° HD MODELS**

## OPTIONAL

- 8 BEZEL**  
IT ENSURES A HIGHER STRUCTURAL RESISTANCE. **HIGHLY RECOMMENDED WITH BUCKETS 1400MM WIDE OR MORE.**
- 9 REAR RAZOR**  
WHEN THE MACHINE'S ARM IS KEPT CLOSED, IT ALLOWS TO FINISH SURFACES EVENLY.
- 10 PIPE KIT**  
OPTIONAL KIT INSTALLED ON THE BUCKET FOR THE FEEDING OF THE HYDRAULIC CYLINDER. IT ALLOWS THE USE OF TWO OUTLETS ON THE RIGHT AND TWO OUTLETS ON THE LEFT FOR THE HYDRAULIC CONNECTION TO THE MACHINE REDUCING THE INSTALLATION TIMES. THE CONNECTING PIPES ARE NOT SUPPLIED.
- 11 HB500 WELDED ADDITIONAL CUTTING EDGE**  
RECOMMENDED TO WORK ON PARTICULARLY ABRASIVE SOILS.

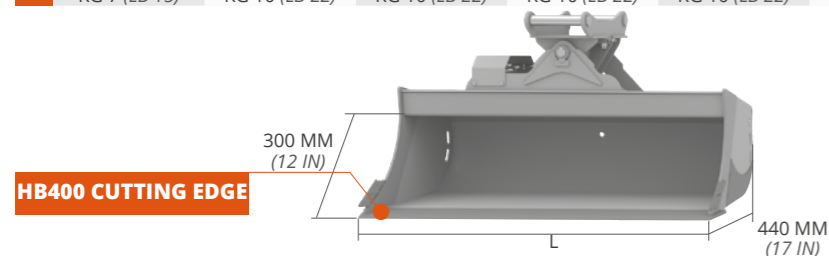
ITS TILTING SYSTEM ENABLES TO TILT IT BY 45° ON BOTH SIDES. ITS ELONGATED SHAPE AVOIDS THAT THE GROUND STICKS TO THE BUCKET'S SIDE WALLS AND SIMPLIFIES THE DISCHARGE OF LOAMY AND WET MATERIALS. USED MAINLY TO CLEAN AND LEVEL STREETS, DITCHES AND DIKES. IT HAS BEEN REINFORCED IN ALL THE MOST STRESSED AREAS. THE BLADE, THE SIDE CAST CUTTERS AND SIDE REINFORCEMENTS AND THE REAR STRIPS ARE MADE OF HB400.

**THE INSTALLATION OF BEZELS IS HIGHLY RECOMMENDED FOR BUCKETS WIDER THAN 1400 MM, IN ORDER TO AVOID DAMAGES TO THE BUCKET IN CASE OF HEAVY DUTY JOBS OR WITH PARTICULARLY HARD TERRAINS:**

- WIDTH FROM 1400 TO 1500 MM: NR. 1 BEZEL
- WIDTH FROM 1600 TO 1600 MM: NR. 2 BEZELS
- WIDTH FROM 1800 TO 2200 MM: NR. 3 BEZELS

MOD.	SQS 30 8°HD	SQS 35 8°HD	SQS 40 8°HD	SQS 45 8°HD	SQS 50 8°HD	SQS 55 8°HD	SQS 60 8°HD	SQS 65 8°HD	SQS 70 8°HD
TONS (LB)	0,8 - 1,5 (1764 - 3307)	1,5 - 2,0 (3307 - 4409)	2,0 - 3,0 (4409 - 6614)	3,0 - 4,0 (6614 - 8818)	4,0 - 6,0 (8818 - 13228)	6,0 - 7,5 (13228 - 16535)	7,5 - 12,0 (16535 - 26456)	12,0 - 18,0 (26456 - 39683)	18,0 - 22,0 (39683 - 48502)

## SQS30 8°HD MACHINE WEIGHT 0,8 - 1,5 (1764 - 3307 lb)

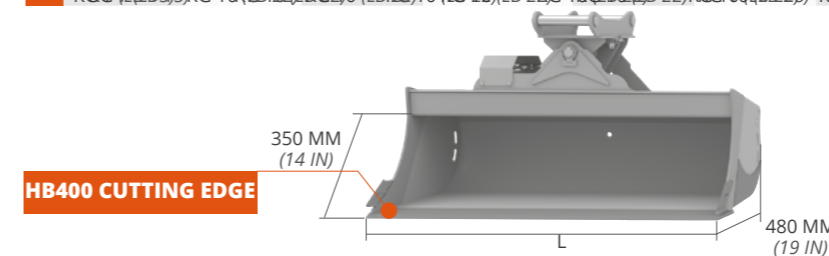


L MM (IN)	WEIGHT KG* (LB*)	CAP. SAE L (GAL)	ADAPTERS
800 (31)	59 (130)	58 (22,4)	AF - AR - CS CR - S - CM CW - CS JANUS PRO

### OPTIONAL

8	9	10
REAR RAZOR	PIPE KIT	HB500 WELDED ADDITIONAL CUTTING EDGE

## SQS35 8°HD MACHINE WEIGHT 1,5 - 2,0 (3307 - 4409 lb)

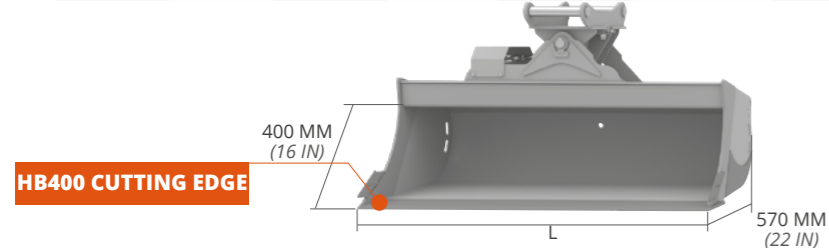


L MM (IN)	WEIGHT KG* (LB*)	CAP. SAE L (GAL)	ADAPTERS
900 (35)	79 (174)	85 (22,4)	AF - AR - CS CR - S - CM CW - CS JANUS PRO
1000 (39)	85 (187)	95 (25,1)	AF - AR - CS CR - S - CM CW - CS JANUS PRO
1200 (47)	98 (216)	115 (30,4)	AF - AR - CS CR - S - CM CW - CS JANUS PRO

### OPTIONAL

8	9	10
REAR RAZOR	PIPE KIT	HB500 WELDED ADDITIONAL CUTTING EDGE

## SQS40 8°HD MACHINE WEIGHT 2,0 - 3,0 (4409 - 6614 lb)

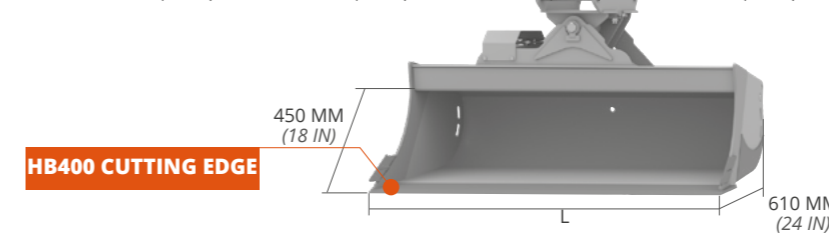


L MM (IN)	WEIGHT KG* (LB*)	CAP. SAE L (GAL)	ADAPTERS
1100 (43)	138 (304)	129 (34,1)	AF - AR - CS CR - S - CM CW - CS JANUS PRO
1200 (47)	146 (321)	143 (37,8)	AF - AR - CS CR - S - CM CW - CS JANUS PRO
1400 (55)	163 (359)	157 (41,5)	AF - AR - CS CR - S - CM CW - CS JANUS PRO

### OPTIONAL

8	9	10
REAR RAZOR	PIPE KIT	HB500 WELDED ADDITIONAL CUTTING EDGE

## SQS45 8°HD MACHINE WEIGHT 3,0 - 4,0 (6614 - 8818 lb)



L MM (IN)	WEIGHT KG* (LB*)	CAP. SAE L (GAL)	ADAPTERS
1100 (43)	163 (359)	150 (39,6)	AF - AR - CS CR - S - CM CW - CS JANUS PRO
1200 (47)	170 (374)	168 (44,4)	AF - AR - CS CR - S - CM CW - CS JANUS PRO
1400 (55)	192 (423)	204 (53,9)	AF - AR - CS CR - S - CM CW - CS JANUS PRO
1500 (59)	204 (449)	222 (58,6)	AF - AR - CS CR - S - CM CW - CS JANUS PRO

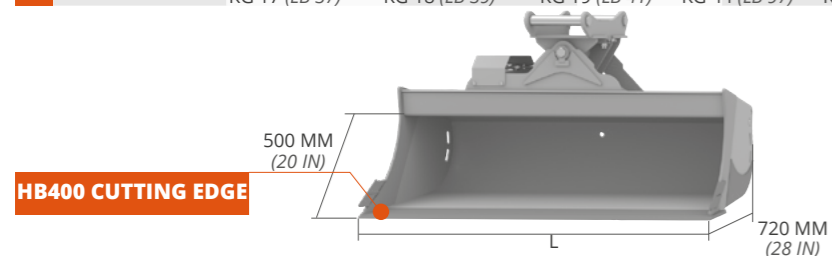
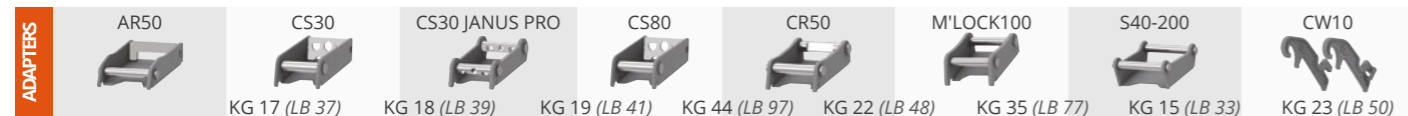
### OPTIONAL

8	9	10
REAR RAZOR	PIPE KIT	HB500 WELDED ADDITIONAL CUTTING EDGE

\* weight of the tank excluding attachment

\* weight of the tank excluding attachment

## SQS50 8°HD MACHINE WEIGHT 4,0 - 6,0 (8818 - 13228 lb)



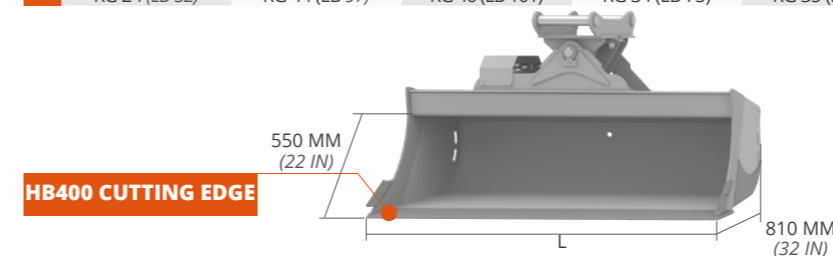
HB400 CUTTING EDGE

### OPTIONAL

- 7 BEZEL
- 8 REAR RAZOR
- 9 PIPE KIT
- 10 HB500 WELDED ADDITIONAL CUTTING EDGE

L MM (IN)	WEIGHT KG* (LB*)	CAP. SAE L (GAL)	ADAPTERS
1200 (47)	218 (480)	210 (55,5)	AF - AR - CS
			CR - S - CM
			CW - CS JANUS PRO
1300 (51)	230 (507)	230 (60,8)	AF - AR - CS
			CR - S - CM
			CW - CS JANUS PRO
1400 (55)	242 (533)	250 (66,0)	AF - AR - CS
			CR - S - CM
			CW - CS JANUS PRO
1600 (63)	266 (586)	290 (76,7)	AF - AR - CS
			CR - S - CM
			CW - CS JANUS PRO

## SQS55 8°HD MACHINE WEIGHT 6,0 - 7,5 (13228 - 16535 lb)



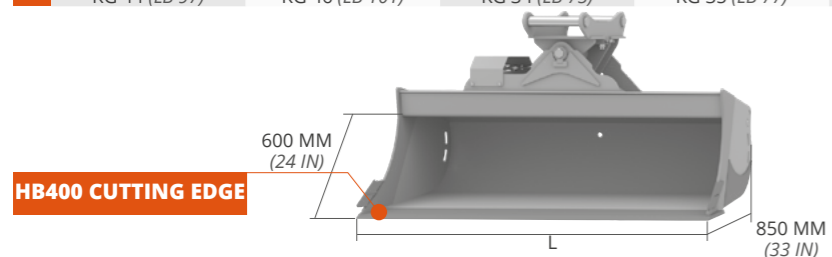
HB400 CUTTING EDGE

### OPTIONAL

- 7 BEZEL
- 8 REAR RAZOR
- 9 PIPE KIT
- 10 HB500 WELDED ADDITIONAL CUTTING EDGE

L MM (IN)	WEIGHT KG* (LB*)	CAP. SAE L (GAL)	ADAPTERS
1300 (51)	294 (648)	300 (79,2)	AF - AR - CS
			CR - S - CM
			CW - CS JANUS PRO
1400 (55)	309 (681)	325 (85,6)	AF - AR - CS
			CR - S - CM
			CW - CS JANUS PRO
1500 (59)	324 (714)	350 (92,4)	AF - AR - CS
			CR - S - CM
			CW - CS JANUS PRO
1600 (63)	338 (745)	375 (99,1)	AF - AR - CS
			CR - S - CM
			CW - CS JANUS PRO
1800 (71)	367 (809)	425 (112,3)	AF - AR - CS
			CR - S - CM
			CW - CS JANUS PRO

## SQS60 8°HD MIDI MACHINE WEIGHT 7,5 - 12,0 (16535 - 26456 lb)



HB400 CUTTING EDGE

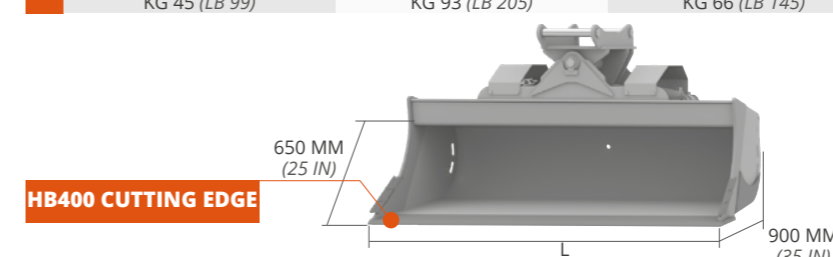
### OPTIONAL

- 7 BEZEL
- 8 REAR RAZOR
- 9 PIPE KIT
- 10 HB500 WELDED ADDITIONAL CUTTING EDGE

L MM (IN)	WEIGHT KG* (LB*)	CAP. SAE L (GAL)	ADAPTERS
1400 (55)	337 (743)	360 (95,1)	AF - CS
			CR - S - CM
			CW - CS JANUS PRO
1500 (59)	353 (778)	400 (105,7)	AF - CS
			CR - S - CM
			CW - CS JANUS PRO
1600 (63)	369 (813)	430 (113,6)	AF - CS
			CR - S - CM
			CW - CS JANUS PRO
1800 (71)	399 (879)	490 (129,4)	AF - CS
			CR - S - CM
			CW - CS JANUS PRO
2000 (79)	436 (961)	550 (145,3)	AF - CS
			CR - S - CM
			CW - CS JANUS PRO

\* weight of the tank excluding attachment

## SQS65 8°HD EXCAVATOR MACHINE WEIGHT 12,0 - 18,0 t (26456 - 39683 lb)



HB400 CUTTING EDGE

### OPTIONAL

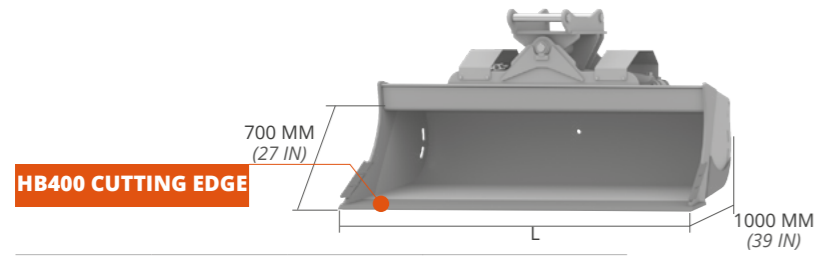
- 7 BEZEL
- 8 REAR RAZOR
- 9 PIPE KIT
- 10 HB500 WELDED ADDITIONAL CUTTING EDGE

L MM (IN)	WEIGHT KG* (LB*)	CAP. SAE L (GAL)	ADAPTERS
1400 (55)	552 (996)	466 (123,1)	AF - S - CM
			CS - CW
			CS JANUS PRO
1500 (59)	474 (1045)	500 (132,1)	AF - S - CM
			CS - CW
			CS JANUS PRO
1600 (63)	498 (1098)	534 (141,1)	AF - S - CM
			CS - CW
			CS JANUS PRO
1800 (71)	542 (1195)	602 (159,1)	AF - S - CM
			CS - CW
			CS JANUS PRO
2000 (79)	585 (1290)	670 (176,1)	AF - S - CM
			CS - CW
			CS JANUS PRO

\* weight of the tank excluding attachment

# SQS70 8°HD MACHINE WEIGHT 18,0 - 22,0 t (39683 - 48502 lb)

ADAPTERS



HB400 CUTTING EDGE

L MM (IN)	WEIGHT KG* (LB*)	CAP. SAE L (GAL)	ADAPTERS
1500 (59)	552 (1217)	600 (158,5)	AF - S - CM CS - CW CS JANUS PRO
1600 (63)	579 (1276)	640 (169,1)	AF - S - CM CS - CW CS JANUS PRO
1800 (71)	633 (1395)	720 (190,2)	AF - S - CM CS - CW CS JANUS PRO
2000 (79)	685 (1510)	800 (211,3)	AF - S - CM CS - CW CS JANUS PRO
2200 (87)	735 (1620)	880 (232,5)	AF - S - CM CS - CW CS JANUS PRO

## OPTIONAL

7	8	9	10
BEZEL	REAR RAZOR	PIPE KIT	HB500 WELDED ADDITIONAL CUTTING EDGE



\* weight of the tank excluding attachment





DIGGING BUCKET 238 SCN

STONE BUCKET 244 BN

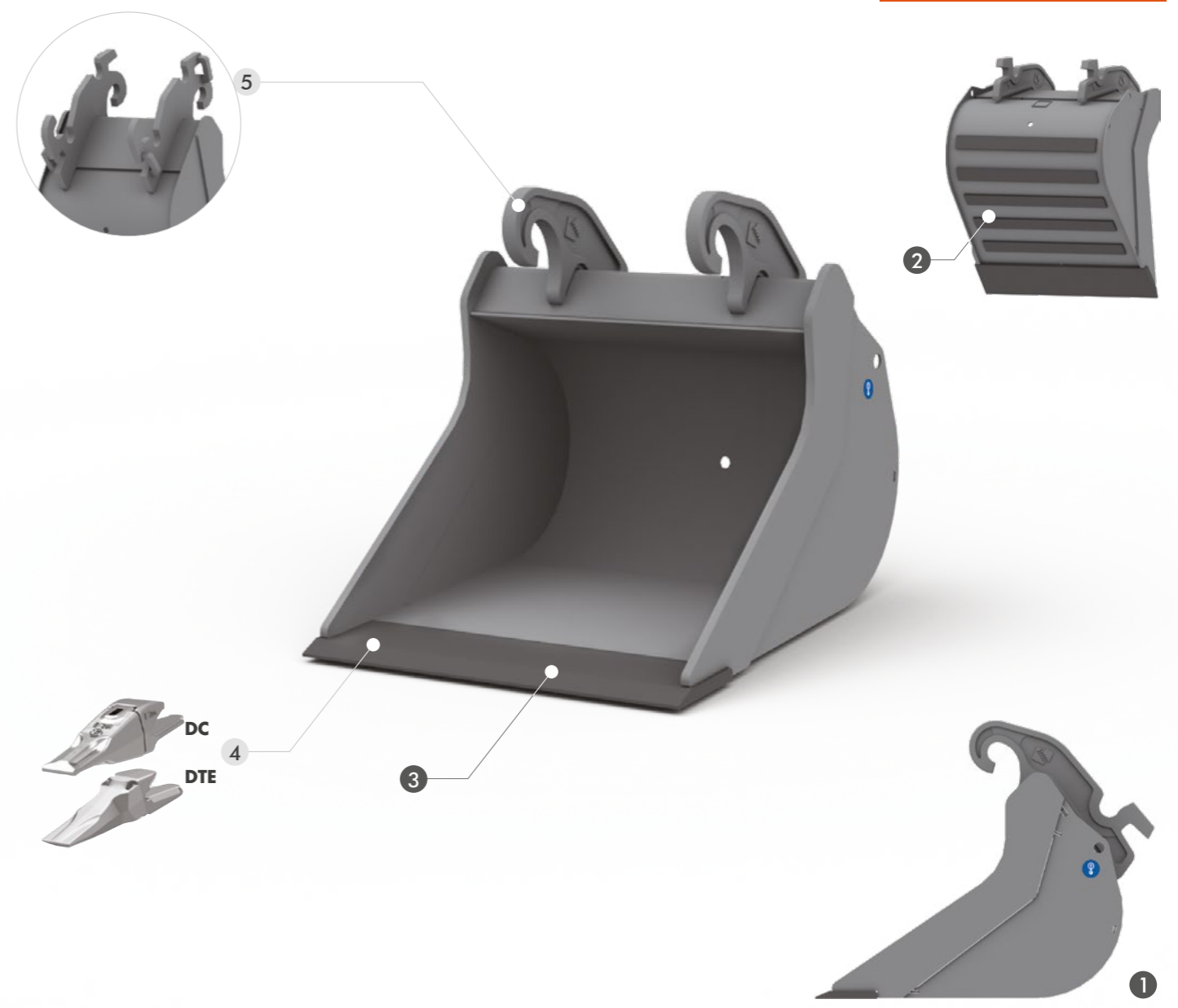
SKELETON BUCKET 250 VN

DITCH CLEANING BUCKET 256 SPN

TILTING DITCH CLEANING BUCKET 262 SQN



HB400



**STANDARD TECHNICAL FEATURES**

- 1 ELONGATED PROFILE**
- 2 REINFORCING STRIPS**  
THE HORIZONTAL REINFORCING STRIPS ON THE BUCKET'S REAR AND BOTTOM PROTECT THE BUCKET FROM WEAR AND INCREASE ITS RESISTANCE.
- 3 HB400 BLADE**

**OPTIONAL**

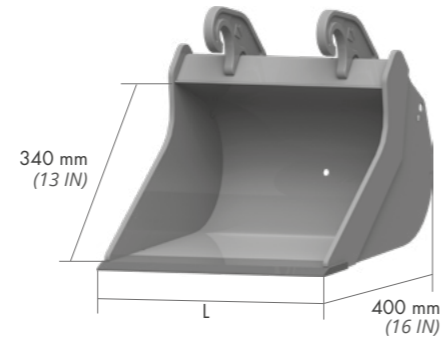
- 4 DC TEETH OR DTE TEETH**
- 5 CW REVERSIBLE VERSION**  
THIS ADAPTER MAKES THE BUCKET REVERSIBLE.

ITS ELONGATED PROFILE AVOIDS THAT THE GROUND STICKS TO THE BUCKET'S SIDE WALLS AND SIMPLIFIES THE DISCHARGE OF LOAMY AND WET MATERIALS. IT IS EQUIPPED WITH HB400 BLADE.

MOD.	SCN35	SCN41	SCN52	SCN60	SCN66	SCN75	SCN85
Tons (lb)	0,6 - 1,2 (1323 - 2646)	1,2 - 1,8 (2646 - 3968)	1,8 - 2,5 (3968 - 5512)	2,5 - 4,0 (5512 - 8818)	4,0 - 6,0 (8818 - 13228)	6,0 - 7,5 (13228 - 16535)	7,5 - 12,0 (16535 - 26455)

## SCN35 MACHINE WEIGHT 0,6 - 1,2 t (1323 - 2646 lb)

ADAPTERS



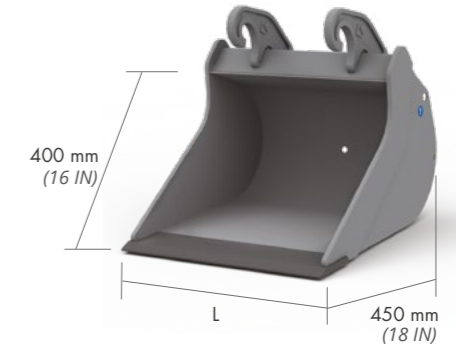
### OPTIONAL

4	4	5
DC teeth	DTE teeth	CW reversible version

L mm (in)	WEIGHT Kg* (lb*)	CAP. SAE l (gal)	
300 (12)	19 (42)	21 (5,5)	AF
300 (12)	19 (42)	21 (5,5)	CW
400 (16)	23 (51)	31 (8,2)	AF
400 (16)	23 (51)	31 (8,2)	CW
500 (20)	28 (62)	47 (12,4)	AF
500 (20)	28 (62)	47 (12,4)	CW

## SCN41 MACHINE WEIGHT 1,2 - 1,8 t (2646 - 3968 lb)

ADAPTERS



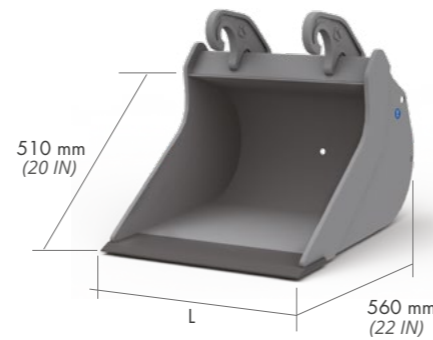
### OPTIONAL

4	4	5
DC teeth	DTE teeth	CW reversible version

L mm (in)	WEIGHT Kg* (lb*)	CAP. SAE l (gal)	
300 (12)	22 (48)	26 (6,9)	AF
300 (12)	22 (48)	26 (6,9)	CW
400 (16)	27 (59)	38 (10,0)	AF
400 (16)	27 (59)	38 (10,0)	CW
500 (20)	32 (70)	52 (13,7)	AF
500 (20)	32 (70)	52 (13,7)	CW
600 (24)	37 (82)	75 (19,8)	AF
600 (24)	37 (82)	75 (19,8)	CW

## SCN52 MACHINE WEIGHT 1,8 - 2,5 t (3968 - 5512 lb)

ADAPTERS



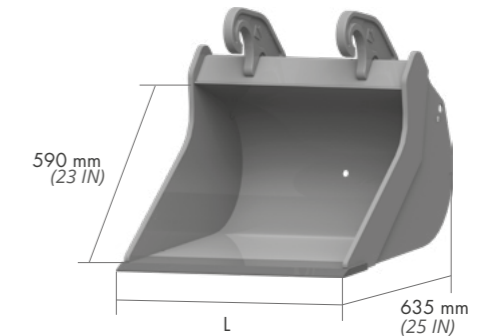
### OPTIONAL

4	4	5
DC teeth	DTE teeth	CW reversible version

L mm (in)	WEIGHT Kg* (lb*)	CAP. SAE l (gal)	
300 (12)	32 (71)	34 (9,0)	AF
300 (12)	32 (71)	34 (9,0)	CW
400 (16)	40 (88)	51 (13,5)	AF
400 (16)	40 (88)	51 (13,5)	CW
500 (20)	47 (104)	69 (18,2)	AF
500 (20)	47 (104)	69 (18,2)	CW
600 (24)	54 (119)	87 (23,0)	AF
600 (24)	54 (119)	87 (23,0)	CW

## SCN60 MACHINE WEIGHT 2,5 - 4,0 t (5512 - 8818 lb)

ADAPTERS



### OPTIONAL

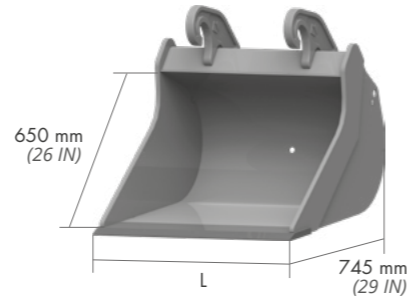
4	4	5
DC teeth	DTE teeth	CW reversible version

L mm (in)	WEIGHT Kg* (lb*)	CAP. SAE l (gal)	
300 (12)	41 (90)	121 (12,2)	AF
300 (12)	41 (90)	121 (12,2)	CW
400 (16)	49 (108)	69 (18,2)	AF
400 (16)	49 (108)	69 (18,2)	CW
500 (20)	57 (126)	93 (24,6)	AF
500 (20)	57 (126)	93 (24,6)	CW
600 (24)	65 (143)	118 (31,2)	AF
600 (24)	65 (143)	118 (31,2)	CW

\* weight of the tank excluding attachment

\* weight of the tank excluding attachment

## SCN66 MACHINE WEIGHT 4,0 - 6,0 t (8818 - 13228 lb)

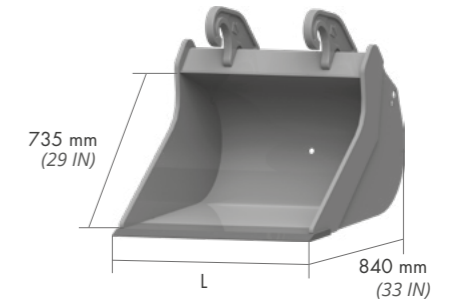


L mm (in)	WEIGHT Kg* (lb*)	CAP. SAE l (gal)	
400 (16)	65 (143)	79 (20,9)	AF
400 (16)	65 (143)	79 (20,9)	CW
500 (20)	75 (165)	107 (28,3)	AF
500 (20)	75 (165)	107 (28,3)	CW
600 (24)	86 (190)	137 (36,2)	AF
600 (24)	86 (190)	137 (36,2)	CW
700 (28)	97 (214)	168 (44,4)	AF
700 (28)	97 (214)	168 (44,4)	CW

### OPTIONAL

4	4	5
DC teeth	DTE teeth	CW reversible version

## SCN75 MACHINE WEIGHT 6,0 - 7,5 t (13228 - 16535 lb)

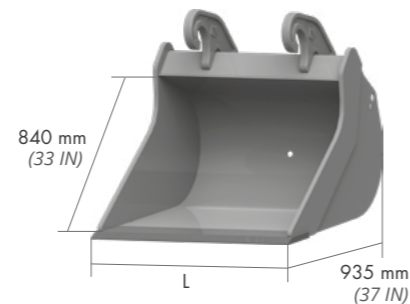


L mm (in)	WEIGHT Kg* (lb*)	CAP. SAE l (gal)	
400 (16)	85 (187)	94 (24,8)	AF
400 (16)	85 (187)	94 (24,8)	CW
500 (20)	100 (220)	128 (33,8)	AF
500 (20)	100 (220)	128 (33,8)	CW
600 (24)	114 (251)	165 (43,6)	AF
600 (24)	114 (251)	165 (43,6)	CW
700 (28)	128 (282)	203 (53,6)	AF
700 (28)	128 (282)	203 (53,6)	CW
800 (31)	142 (313)	243 (64,2)	AF
800 (31)	142 (313)	243 (64,2)	CW

### OPTIONAL

4	4	5
DC teeth	DTE teeth	CW reversible version

## SCN85 MACHINE WEIGHT 7,5 - 12,0 t (16535 - 26455 lb)



L mm (in)	WEIGHT Kg* (lb*)	CAP. SAE l (gal)	
400 (16)	98 (216)	121 (32,0)	AF
400 (16)	98 (216)	121 (32,0)	CW
500 (20)	112 (247)	160 (42,3)	AF
500 (20)	112 (247)	160 (42,3)	CW
600 (24)	127 (280)	205 (54,2)	AF
600 (24)	127 (280)	205 (54,2)	CW
700 (28)	142 (313)	252 (66,6)	AF
700 (28)	142 (313)	252 (66,6)	CW
800 (31)	157 (346)	301 (79,5)	AF
800 (31)	157 (346)	301 (79,5)	CW
900 (35)	172 (379)	352 (93,0)	AF
900 (35)	172 (379)	352 (93,0)	CW

### OPTIONAL

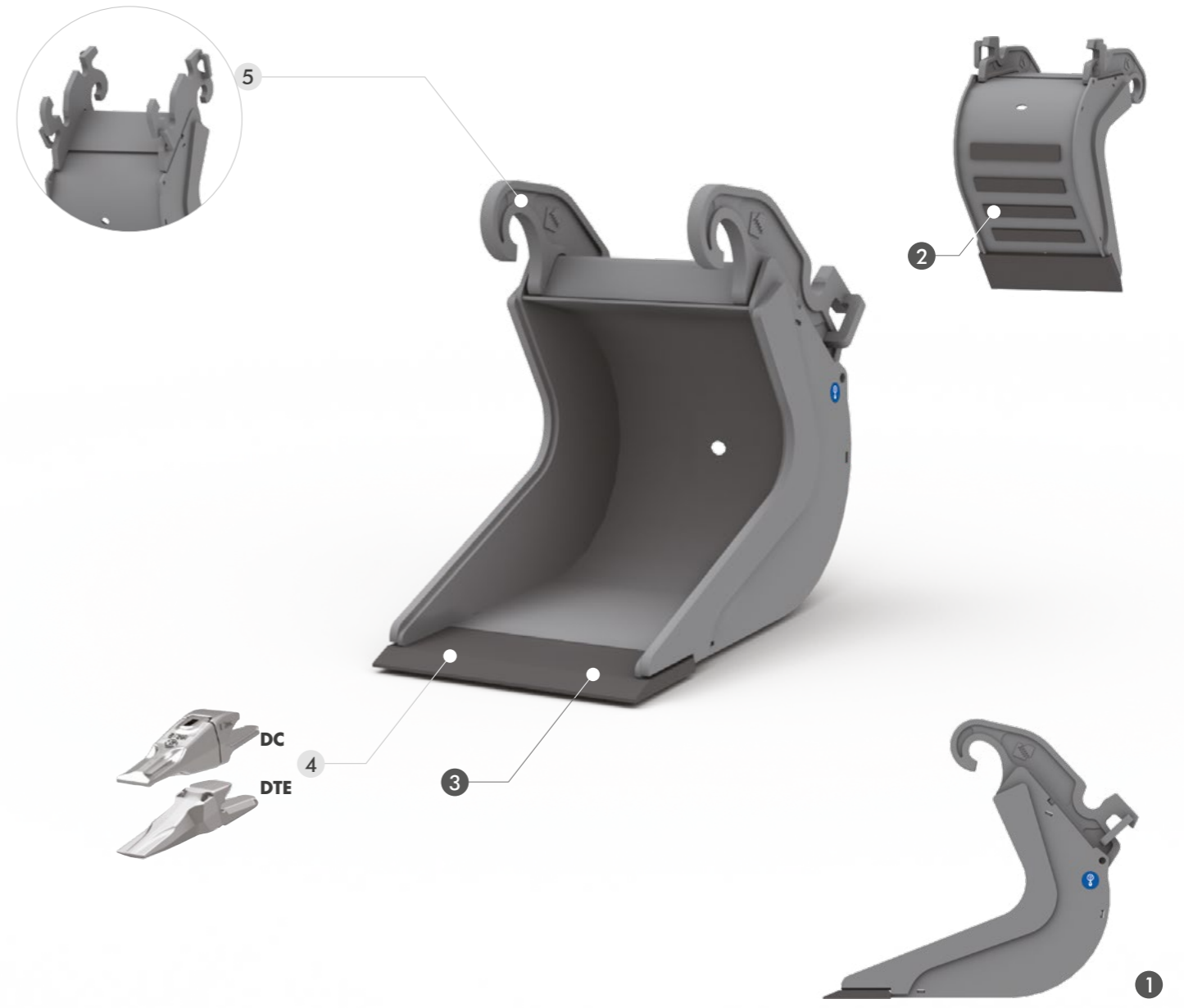
4	4	5
DC teeth	DTE teeth	CW reversible version

\* weight of the tank excluding attachment

\* weight of the tank excluding attachment



HB400



**STANDARD TECHNICAL FEATURES**

- 1 ELONGATED PROFILE**
- 2 REINFORCING STRIPS**  
THE HORIZONTAL REINFORCING STRIPS ON THE BUCKET'S REAR AND BOTTOM PROTECT THE BUCKET FROM WEAR AND INCREASE ITS RESISTANCE.
- 3 HB400 BLADE**

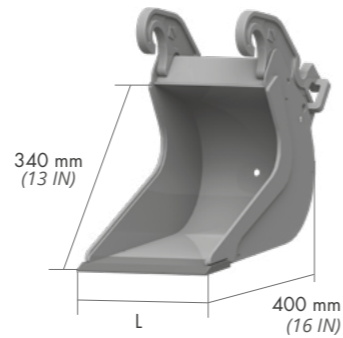
**OPTIONAL**

- 4 DC TEETH OR DTE TEETH**
- 5 CW REVERSIBLE VERSION**  
THIS ADAPTER MAKES THE BUCKET REVERSIBLE.

ITS ELONGATED SHAPE AVOIDS THAT THE GROUND STICKS TO THE BUCKET'S SIDE WALLS AND SIMPLIFIES THE DISCHARGE OF LOAMY AND WET MATERIALS. ITS HOLLOW SIDE WALLS HELP THE CROSSING OF GAS AND HYDRAULIC PIPES OR PLANTS, ETC. IT IS EQUIPPED WITH HB400 BLADE.

MOD.	BN35	BN41	BN52	BN60	BN66	BN75	BN90
Tons (lb)	0,6 - 1,2 (1323 - 2646)	1,2 - 1,8 (2646 - 3968)	1,8 - 2,5 (3968 - 5512)	2,5 - 4,0 (5512 - 8818)	4,0 - 6,0 (8818 - 13228)	6,0 - 7,5 (13228 - 16535)	7,5 - 12,0 (16535 - 26455)

## BN35 MACHINE WEIGHT 0,6 - 1,2 t (1323 - 2646 lb)

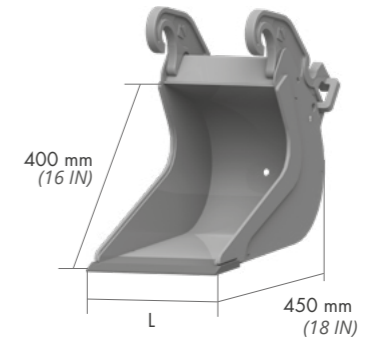


L mm (in)	WEIGHT Kg* (lb*)	CAP. SAE l (gal)	
220 (9)	17 (37)	16 (4,2)	AF
220 (9)	17 (37)	16 (4,2)	CW
250 (10)	18 (40)	18 (4,8)	AF
250 (10)	18 (40)	18 (4,8)	CW
300 (12)	20 (44)	22 (5,8)	AF
300 (12)	20 (44)	22 (5,8)	CW

### OPTIONAL

4	4	5
DC teeth	DTE teeth	CW reversible version

## BN41 MACHINE WEIGHT 1,2 - 1,8 t (2646 - 3968 lb)

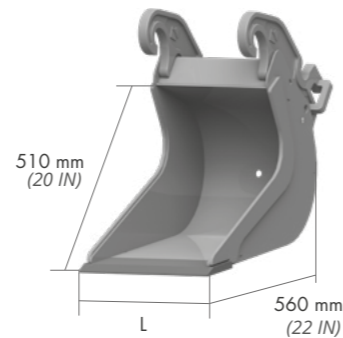


L mm (in)	WEIGHT Kg* (lb*)	CAP. SAE l (gal)	
220 (9)	19 (42)	20 (5,3)	AF
220 (9)	19 (42)	20 (5,3)	CW
250 (10)	20 (44)	23 (6,1)	AF
250 (10)	20 (44)	23 (6,1)	CW
300 (12)	22 (49)	28 (7,4)	AF
300 (12)	22 (49)	28 (7,4)	CW
350 (14)	24 (53)	34 (9,0)	AF
350 (14)	24 (53)	34 (9,0)	CW

### OPTIONAL

4	4	5
DC teeth	DTE teeth	CW reversible version

## BN52 MACHINE WEIGHT 1,8 - 2,5 t (3968 - 5512 lb)

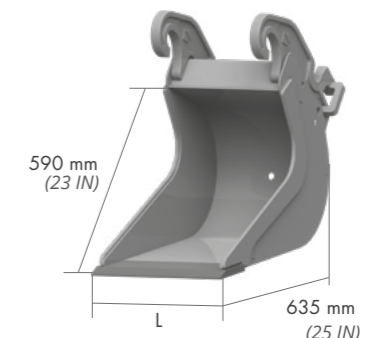


L mm (in)	WEIGHT Kg* (lb*)	CAP. SAE l (gal)	
220 (9)	25 (55)	27 (7,1)	AF
220 (9)	25 (55)	27 (7,1)	CW
250 (10)	27 (60)	32 (8,5)	AF
250 (10)	27 (60)	32 (8,5)	CW
300 (12)	29 (64)	38 (10,0)	AF
300 (12)	29 (64)	38 (10,0)	CW
350 (14)	33 (73)	46 (12,2)	AF
350 (14)	33 (73)	46 (12,2)	CW

### OPTIONAL

4	4	5
DC teeth	DTE teeth	CW reversible version

## BN60 MACHINE WEIGHT 2,5 - 4,0 t (5512 - 8818 lb)



L mm (in)	WEIGHT Kg* (lb*)	CAP. SAE l (gal)	
220 (9)	31 (68)	38 (10,0)	AF
220 (9)	31 (68)	38 (10,0)	CW
250 (10)	33 (73)	45 (11,9)	AF
250 (10)	33 (73)	45 (11,9)	CW
300 (12)	36 (79)	53 (14,0)	AF
300 (12)	36 (79)	53 (14,0)	CW
350 (14)	40 (88)	65 (17,2)	AF
350 (14)	40 (88)	65 (17,2)	CW
400 (16)	44 (97)	77 (20,3)	AF
400 (16)	44 (97)	77 (20,3)	CW

### OPTIONAL

4	4	5
DC teeth	DTE teeth	CW reversible version

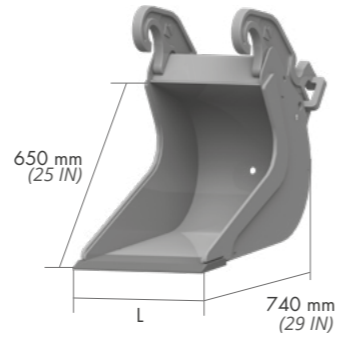
\* weight of the tank excluding attachment

\* weight of the tank excluding attachment

## BN66 MACHINE WEIGHT 4,0 - 6,0 t (8818 - 13228 lb)

ADAPTERS

CW10  
KG 23 (LB 50)



L mm (in)	WEIGHT Kg* (lb*)	CAP. SAE l (gal)	
220 (9)	39 (86)	42 (11,1)	AF
220 (9)	39 (86)	42 (11,1)	CW
250 (10)	42 (93)	50 (13,2)	AF
250 (10)	42 (93)	50 (13,2)	CW
300 (12)	48 (106)	77 (20,3)	AF
300 (12)	48 (106)	77 (20,3)	CW
350 (14)	51 (112)	83 (21,9)	AF
350 (14)	51 (112)	83 (21,9)	CW
400 (16)	56 (123)	92 (24,3)	AF
400 (16)	56 (123)	92 (24,3)	CW

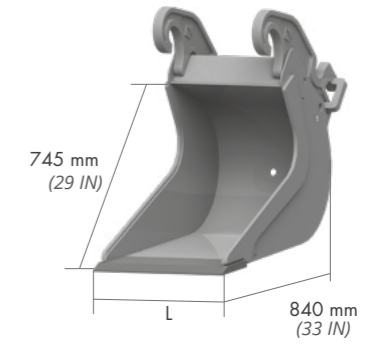
### OPTIONAL


4	4	5
DC teeth	DTE teeth	CW reversible version

## BN75 MACHINE WEIGHT 6,0 - 7,5 t (13228 - 16535 lb)

ADAPTERS

CW10  
KG 23 (LB 50)



L mm (in)	WEIGHT Kg* (lb*)	CAP. SAE l (gal)	
250 (10)	67 (148)	59 (15,6)	AF
250 (10)	67 (148)	59 (15,6)	CW
300 (12)	71 (157)	74 (19,5)	AF
300 (12)	71 (157)	74 (19,5)	CW
350 (14)	73 (161)	91 (24,0)	AF
350 (14)	73 (161)	91 (24,0)	CW
400 (16)	74 (163)	106 (28,0)	AF
400 (16)	74 (163)	106 (28,0)	CW

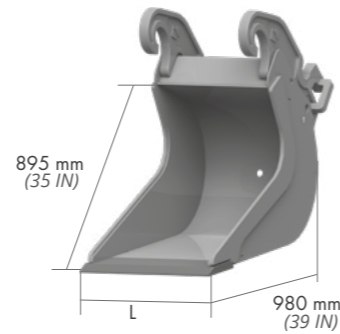
### OPTIONAL


4	4	5
DC teeth	DTE teeth	CW reversible version

## BN90 MACHINE WEIGHT 7,5 - 12,0 t (16535 - 26455 lb)

ADAPTERS

CW10  
KG 23 (LB 50)



L mm (in)	WEIGHT Kg* (lb*)	CAP. SAE l (gal)	
300 (12)	90 (198)	78 (20,6)	AF
300 (12)	90 (198)	78 (20,6)	CW
350 (14)	96 (212)	100 (26,4)	AF
350 (14)	96 (212)	100 (26,4)	CW
400 (16)	100 (220)	123 (32,5)	AF
400 (16)	100 (220)	123 (32,5)	CW
450 (18)	106 (234)	146 (38,6)	AF
450 (18)	106 (234)	146 (38,6)	CW
500 (20)	115 (254)	171 (45,2)	AF
500 (20)	115 (254)	171 (45,2)	CW

### OPTIONAL

4	4	5
DC teeth	DTE teeth	CW reversible version

\* weight of the tank excluding attachment

\* weight of the tank excluding attachment \*\* no AR for 10-12 tons



**HB400**



ITS ELONGATED SHAPE AVOIDS THAT THE GROUND STICKS TO THE BUCKET'S SIDE WALLS AND SIMPLIFIES THE DISCHARGE OF LOAMY MATERIALS. THE GRID BOTTOM IS THE IDEAL DEVICE BOTH TO WORK ON PARTICULARLY WET GROUNDS AND TO SORT AND RECYCLE AGGREGATE MATERIALS. THE HOLLAND BUCKET IS EQUIPPED WITH HB400 BLADE.

**STANDARD TECHNICAL FEATURES**

- 1 **ELONGATED PROFILE**
- 2 **HB400 BLADE**

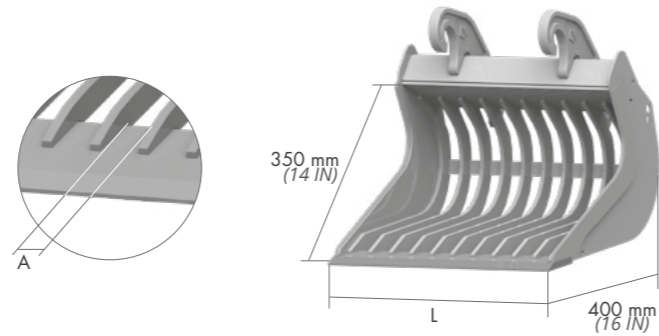
**OPTIONAL**

- 3 **DC TEETH OR DTE TEETH**
- 4 **CW REVERSIBLE VERSION**  
THIS ADAPTER MAKES THE BUCKET REVERSIBLE.

MOD.	VN35	VN41	VN52	VN60	VN66	VN75	VN85
Tons (lb)	0,6 - 1,2 (1323 - 2646)	1,2 - 1,8 (2646 - 3968)	1,8 - 2,5 (3968 - 5512)	2,5 - 4,0 (5512 - 8818)	4,0 - 6,0 (8818 - 13228)	6,0 - 7,5 (13228 - 16535)	7,5 - 12,0 (16535 - 26455)



## VN35 MACHINE WEIGHT 0,6 - 1,2 t (1323 - 2646 lb)

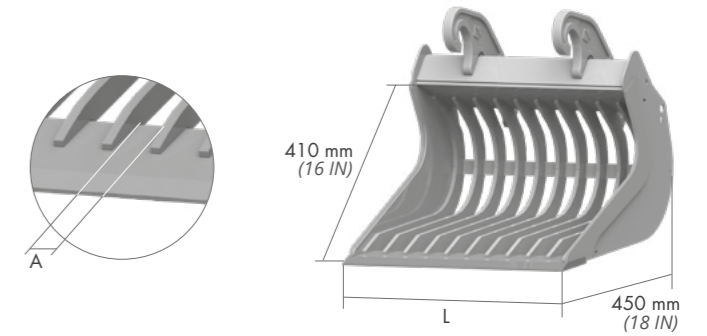


### OPTIONAL

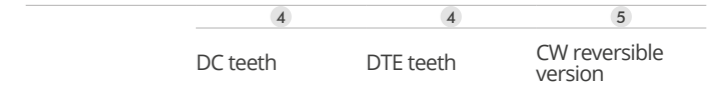


L mm (in)	A mm (in)	WEIGHT Kg* (lb*)	CAP. SAE l (gal)	
400 (16)	53 (2,1)	24 (53)	32 (8,5)	AF
400 (16)	53 (2,1)	24 (53)	32 (8,5)	CW
500 (20)	50 (2,0)	29 (64)	42 (11,1)	AF
500 (20)	50 (2,0)	29 (64)	42 (11,1)	CW
600 (24)	49 (1,9)	33 (73)	52 (13,7)	AF
600 (24)	49 (1,9)	33 (73)	52 (13,7)	CW

## VN41 MACHINE WEIGHT 1,2 - 1,8 t (2646 - 3968 lb)

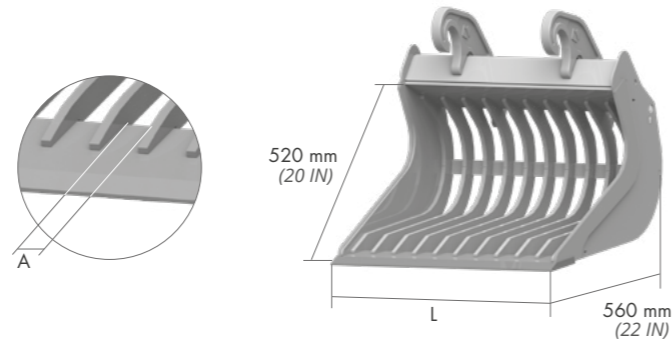


### OPTIONAL

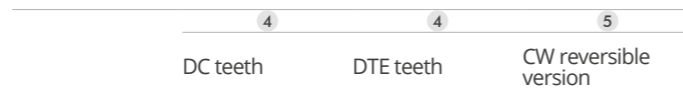


L mm (in)	A mm (in)	WEIGHT Kg* (lb*)	CAP. SAE l (gal)	
400 (16)	53 (2,1)	29 (64)	42 (11,1)	AF
400 (16)	53 (2,1)	29 (64)	42 (11,1)	CW
500 (20)	50 (2,0)	34 (75)	55 (14,5)	AF
500 (20)	50 (2,0)	34 (75)	55 (14,5)	CW
600 (24)	49 (1,9)	39 (86)	67 (17,7)	AF
600 (24)	49 (1,9)	39 (86)	67 (17,7)	CW
700 (28)	52 (2,0)	44 (97)	80 (21,1)	AF
700 (28)	52 (2,0)	44 (97)	80 (21,1)	CW

## VN52 MACHINE WEIGHT 1,8 - 2,5 t (3968 - 5512 lb)

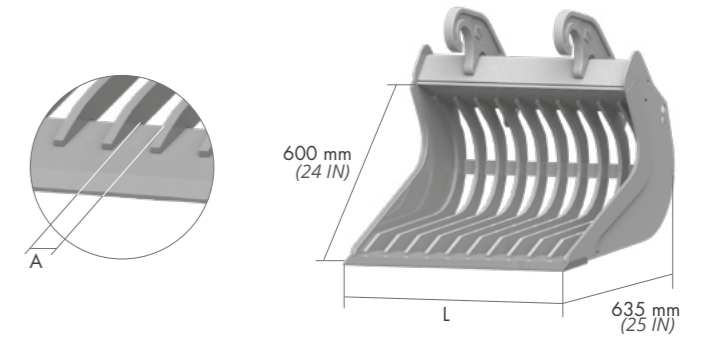


### OPTIONAL

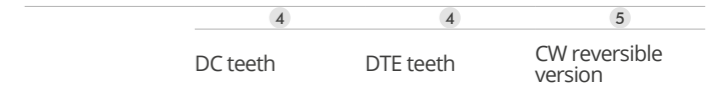


L mm (in)	A mm (in)	WEIGHT Kg* (lb*)	CAP. SAE l (gal)	
500 (20)	56 (2,2)	44 (97)	77 (20,3)	AF
500 (20)	56 (2,2)	44 (97)	77 (20,3)	CW
600 (24)	52 (2,0)	50 (110)	96 (25,4)	AF
600 (24)	52 (2,0)	50 (110)	96 (25,4)	CW
700 (28)	56 (2,2)	58 (128)	115 (30,4)	AF
700 (28)	56 (2,2)	58 (128)	115 (30,4)	CW
800 (31)	53 (2,1)	64 (141)	135 (35,7)	AF
800 (31)	53 (2,1)	64 (141)	135 (35,7)	CW

## VN60 MACHINE WEIGHT 2,5 - 4,0 t (5512 - 8818 lb)



### OPTIONAL

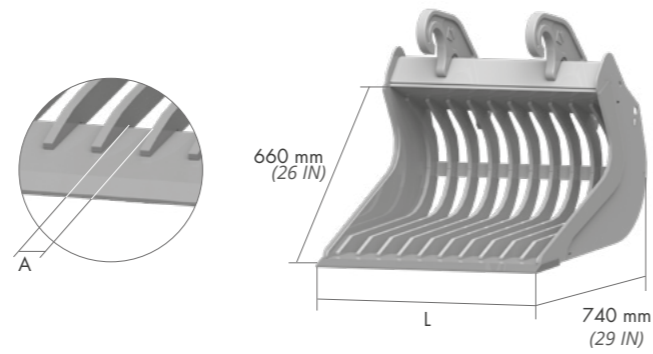


L mm (in)	A mm (in)	WEIGHT Kg* (lb*)	CAP. SAE l (gal)	
500 (20)	56 (2,2)	61 (134)	106 (28,0)	AF
500 (20)	56 (2,2)	61 (134)	106 (28,0)	CW
600 (24)	52 (2,0)	70 (154)	132 (34,9)	AF
600 (24)	52 (2,0)	70 (154)	132 (34,9)	CW
700 (28)	50 (2,0)	81 (179)	159 (42,0)	AF
700 (28)	50 (2,0)	81 (179)	159 (42,0)	CW
800 (31)	53 (2,1)	89 (196)	186 (49,1)	AF
800 (31)	53 (2,1)	89 (196)	186 (49,1)	CW
900 (35)	56 (2,2)	98 (216)	212 (56,0)	AF
900 (35)	56 (2,2)	98 (216)	212 (56,0)	CW
1000 (39)	59 (2,3)	109 (240)	239 (63,1)	AF
1000 (39)	59 (2,3)	109 (240)	239 (63,1)	CW

\* weight of the tank excluding attachment

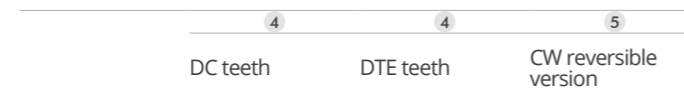
\* weight of the tank excluding attachment

## VN66 MACHINE WEIGHT 4,0 - 6,0 t (8818 - 13228 lb)

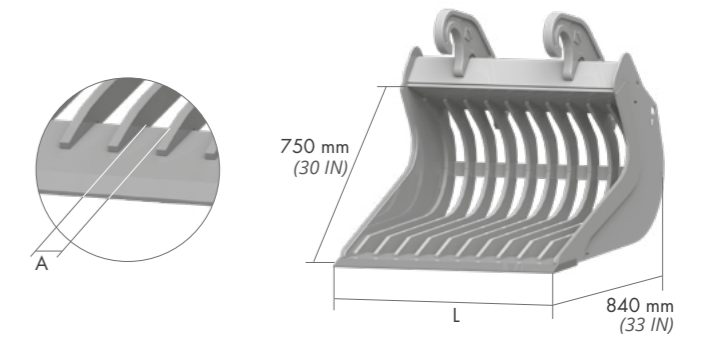


L mm (in)	A mm (in)	WEIGHT Kg* (lb*)	CAP. SAE l (gal)	
600 (24)	49 (1,9)	87 (192)	87 (192)	AF
600 (24)	49 (1,9)	87 (192)	87 (192)	CW
700 (28)	53 (2,1)	97 (214)	185 (48,9)	AF
700 (28)	53 (2,1)	97 (214)	185 (48,9)	CW
800 (31)	56 (2,2)	107 (236)	217 (57,3)	AF
800 (31)	56 (2,2)	107 (236)	217 (57,3)	CW
900 (35)	59 (2,3)	116 (256)	250 (66,0)	AF
900 (35)	59 (2,3)	116 (256)	250 (66,0)	CW
1000 (39)	61 (2,4)	129 (284)	282 (74,5)	AF
1000 (39)	61 (2,4)	129 (284)	282 (74,5)	CW

### OPTIONAL

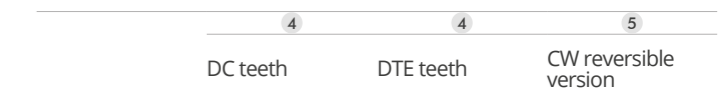


## VN75 MACHINE WEIGHT 6,0 - 7,5 t (13228 - 16535 lb)

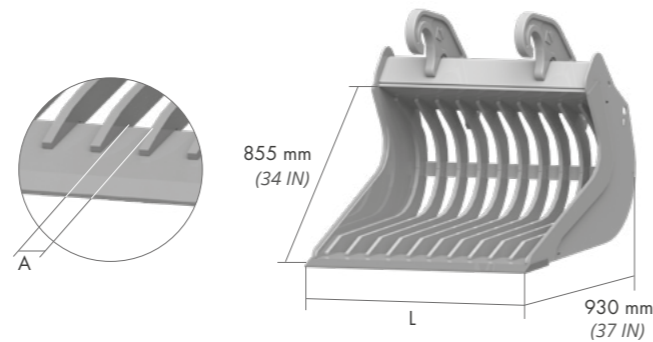


L mm (in)	A mm (in)	WEIGHT Kg* (lb*)	CAP. SAE l (gal)	
600 (24)	55 (2,2)	110 (243)	183 (48,3)	AF
600 (24)	55 (2,2)	110 (243)	183 (48,3)	CW
700 (28)	59 (2,3)	123 (271)	222 (58,6)	AF
700 (28)	59 (2,3)	123 (271)	222 (58,6)	CW
800 (31)	55 (2,2)	140 (309)	262 (69,2)	AF
800 (31)	55 (2,2)	140 (309)	262 (69,2)	CW
900 (35)	52 (2,0)	153 (337)	302 (79,8)	AF
900 (35)	52 (2,0)	153 (337)	302 (79,8)	CW
1000 (39)	55 (2,2)	166 (366)	343 (90,6)	AF
1000 (39)	55 (2,2)	166 (366)	343 (90,6)	CW
1100 (43)	57 (2,2)	183 (403)	383 (101,2)	AF
1100 (43)	57 (2,2)	183 (403)	383 (101,2)	CW

### OPTIONAL

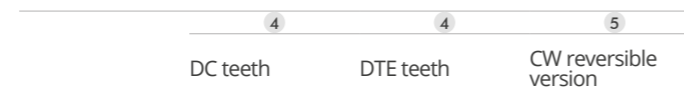


## VN85 MACHINE WEIGHT 7,5 - 12,0 t (16535 - 26455 lb)



L mm (in)	A mm (in)	WEIGHT Kg* (lb*)	CAP. SAE l (gal)	
800 (31)	55 (2,2)	159 (351)	331 (87,4)	AF
800 (31)	55 (2,2)	159 (351)	331 (87,4)	CW
900 (35)	53 (2,1)	172 (379)	384 (101,4)	AF
900 (35)	53 (2,1)	172 (379)	384 (101,4)	CW
1000 (39)	55 (2,2)	186 (410)	437 (115,4)	AF
1000 (39)	55 (2,2)	186 (410)	437 (115,4)	CW
1100 (43)	57 (2,2)	204 (450)	490 (129,4)	AF
1100 (43)	57 (2,2)	204 (450)	490 (129,4)	CW
1200 (47)	55 (2,2)	217 (478)	542 (143,2)	AF
1200 (47)	55 (2,2)	217 (478)	542 (143,2)	CW
1300 (51)	57 (2,2)	231 (509)	595 (157,2)	AF
1300 (51)	57 (2,2)	231 (509)	595 (157,2)	CW

### OPTIONAL



\* weight of the tank excluding attachment

\* weight of the tank excluding attachment



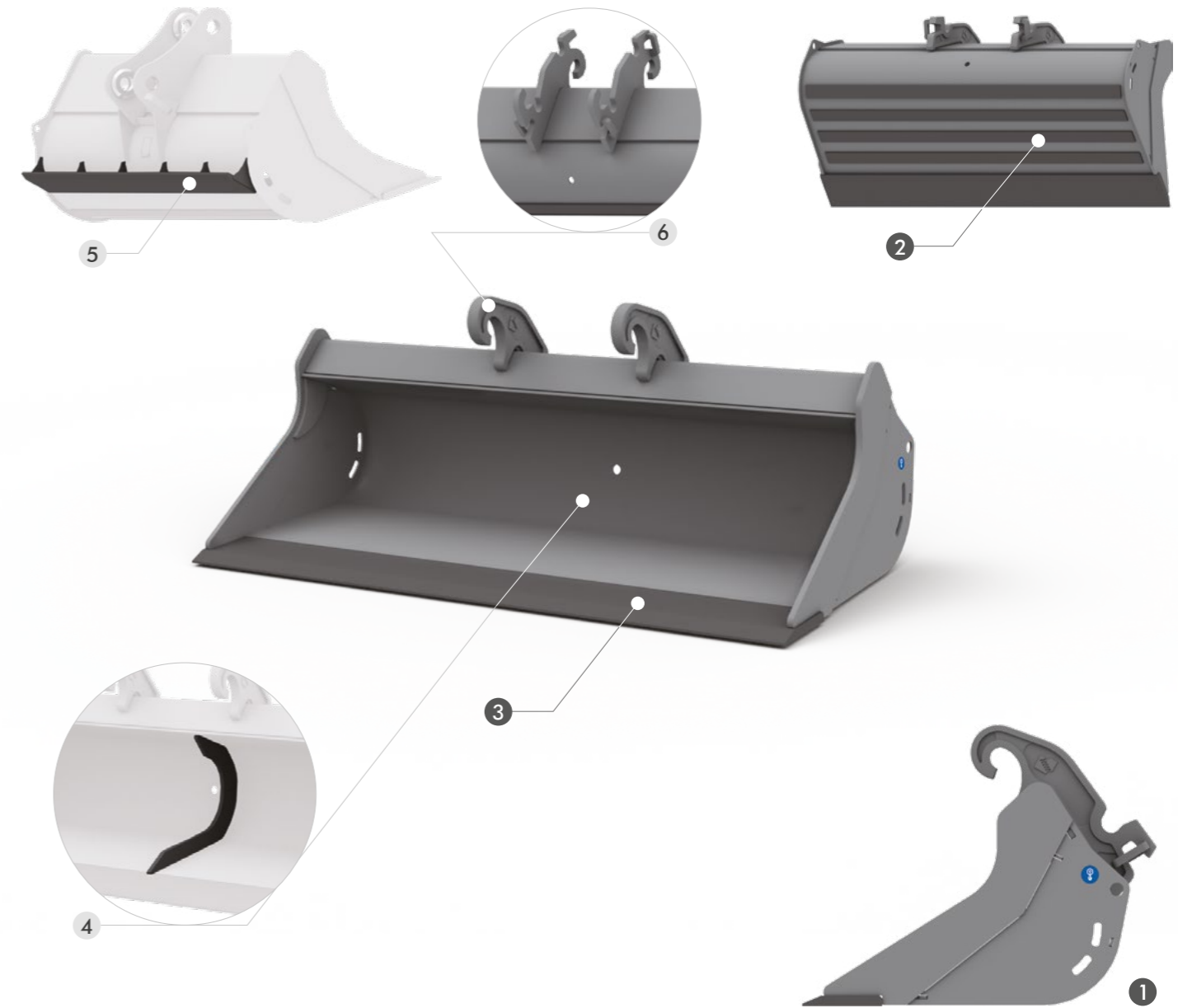
HB400



ITS ELONGATED PROFILE SIMPLIFIES THE DISCHARGE OF LOAMY AND WET MATERIALS. USED TO CLEAN AND LEVEL STREETS, DITCHES AND DIKES. THE HOLLAND BUCKET IS EQUIPPED WITH HB400 BLADE.



ADAPTERS



## STANDARD TECHNICAL FEATURES

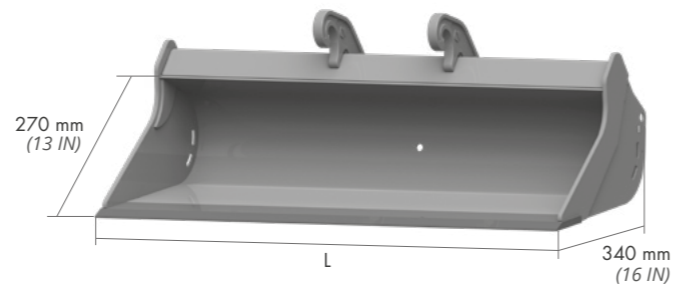
- 1 ELONGATED PROFILE**
- 2 REINFORCING STRIPS**  
THE HORIZONTAL REINFORCING STRIPS ON THE BUCKET'S REAR AND BOTTOM PROTECT THE BUCKET FROM WEAR AND INCREASE ITS RESISTANCE.
- 3 HB400 BLADE**

## OPTIONAL

- 4 BEZEL**  
IT ENSURES A HIGHER STRUCTURAL RESISTANCE TO BUCKETS WHOSE FRAME IS 1400 MM (55 IN) WIDE OR MORE.
- 5 REAR RAZOR**  
WHEN THE MACHINE'S ARM IS KEPT CLOSED, IT ALLOWS TO FINISH SURFACES EVENLY.
- 6 CW REVERSIBLE VERSION**  
THIS ADAPTER MAKES THE BUCKET REVERSIBLE.

MOD.	SPN28	SPN35	SPN41	SPN44	SPN50	SPN55	SPN66
Tons (lb)	0,6 - 1,2 (1323 - 2646)	1,2 - 1,8 (2646 - 3968)	1,8 - 2,5 (3968 - 5512)	2,5 - 4,0 (5512 - 8818)	4,0 - 6,0 (8818 - 13228)	6,0 - 7,5 (13228 - 16535)	7,5 - 12,0 (16535 - 26455)

## SPN28 MACHINE WEIGHT 0,6 - 1,2 t (1323 - 2646 lb)

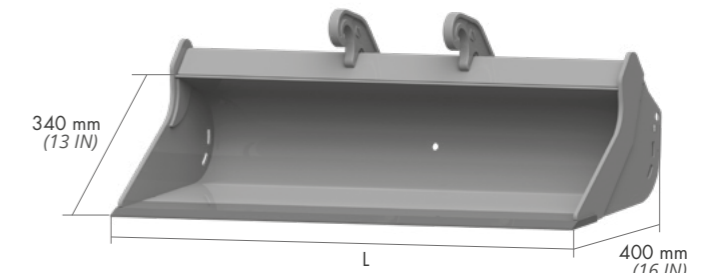


### OPTIONAL

5	6
Rear razor	CW reversible

L mm (in)	WEIGHT Kg* (lb*)	CAP. SAE l (gal)	
600 (24)	27 (60)	35 (9,2)	AF
600 (24)	27 (60)	35 (9,2)	CW
700 (28)	31 (68)	41 (10,8)	AF
700 (28)	31 (68)	41 (10,8)	CW
800 (31)	35 (77)	47 (12,4)	AF
800 (31)	35 (77)	47 (12,4)	CW

## SPN35 MACHINE WEIGHT 1,2 - 1,8 t (2646 - 3968 lb)

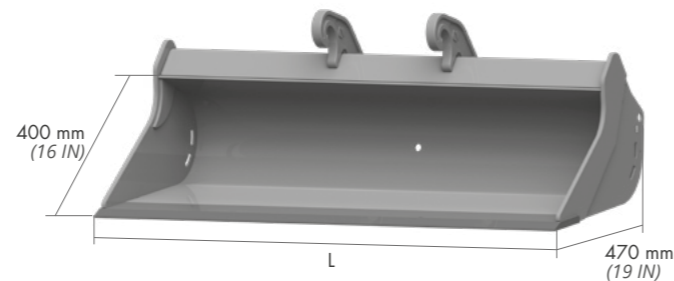


### OPTIONAL

5	6
Rear razor	CW reversible

L mm (in)	WEIGHT Kg* (lb*)	CAP. SAE l (gal)	
800 (31)	43 (95)	77 (20,3)	AF
800 (31)	43 (95)	77 (20,3)	CW
900 (35)	48 (106)	89 (23,5)	AF
900 (35)	48 (106)	89 (23,5)	CW
1000 (39)	53 (117)	99 (26,2)	AF
1000 (39)	53 (117)	99 (26,2)	CW

## SPN41 MACHINE WEIGHT 1,8 - 2,5 t (3968 - 5512 lb)

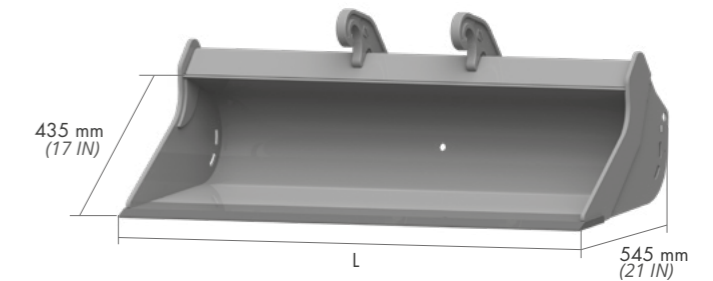


### OPTIONAL

5	6
Rear razor	CW reversible

L mm (in)	WEIGHT Kg* (lb*)	CAP. SAE l (gal)	
900 (35)	65 (143)	95 (25,1)	AF
900 (35)	65 (143)	95 (25,1)	CW
1000 (39)	72 (159)	107 (28,3)	AF
1000 (39)	72 (159)	107 (28,3)	CW
1100 (43)	78 (172)	119 (31,4)	AF
1100 (43)	78 (172)	119 (31,4)	CW
1200 (47)	85 (187)	131 (34,6)	AF
1200 (47)	85 (187)	131 (34,6)	CW

## SPN44 MACHINE WEIGHT 2,5 - 4,0 t (5512 - 8818 lb)



### OPTIONAL

5	6
Rear razor	CW reversible

L mm (in)	WEIGHT Kg* (lb*)	CAP. SAE l (gal)	
1000 (39)	93 (205)	149 (39,4)	AF
1000 (39)	93 (205)	149 (39,4)	CW
1100 (43)	101 (223)	166 (43,9)	AF
1100 (43)	101 (223)	166 (43,9)	CW
1200 (47)	109 (240)	184 (48,6)	AF
1200 (47)	109 (240)	184 (48,6)	CW

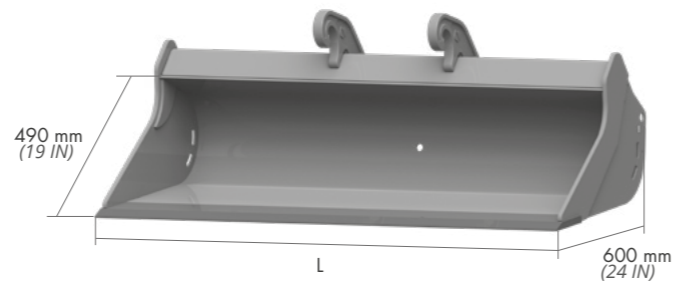
\* weight of the tank excluding attachment



\* weight of the tank excluding attachment

## SPN50 MACHINE WEIGHT 4,0 - 6,0 t (8818 - 13228 lb)

ADAPTERS

CW10  
KG 23 (LB 50)



L mm (in)	WEIGHT Kg* (lb*)	CAP. SAE l (gal)	 
1000 (39)	105 (231)	192 (50,7)	AF
1000 (39)	105 (231)	192 (50,7)	CW
1100 (43)	115 (254)	215 (56,8)	AF
1100 (43)	115 (254)	215 (56,8)	CW
1200 (47)	124 (273)	238 (62,9)	AF
1200 (47)	124 (273)	238 (62,9)	CW
1300 (51)	134 (295)	261 (68,9)	AF
1300 (51)	134 (295)	261 (68,9)	CW
1400 (55)	143 (315)	284 (75,0)	AF
1400 (55)	143 (315)	284 (75,0)	CW

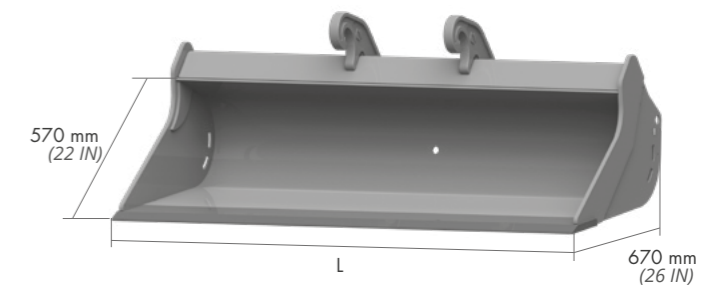
### OPTIONAL



4	5	6
Bezel	Rear razor	CW reversible

## SPN55 MACHINE WEIGHT 6,0 - 7,5 t (13228 - 16535 lb)

ADAPTERS

CW10  
KG 23 (LB 50)



L mm (in)	WEIGHT Kg* (lb*)	CAP. SAE l (gal)	 
1200 (47)	164 (362)	283 (78,4)	AF
1200 (47)	164 (362)	283 (78,4)	CW
1300 (51)	177 (390)	311 (82,2)	AF
1300 (51)	177 (390)	311 (82,2)	CW
1400 (55)	189 (417)	341 (90,1)	AF
1400 (55)	189 (417)	341 (90,1)	CW
1500 (59)	202 (445)	368 (97,2)	AF
1500 (59)	202 (445)	368 (97,2)	CW
1600 (63)	214 (472)	396 (104,6)	AF
1600 (63)	214 (472)	396 (104,6)	CW

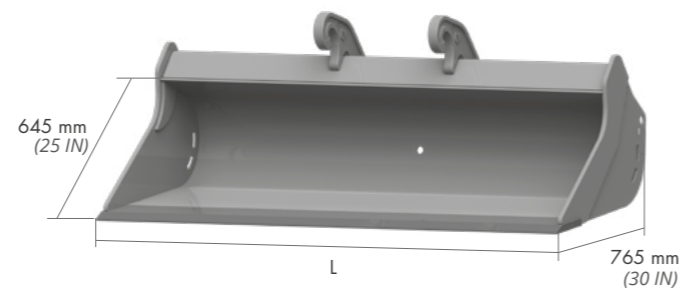
### OPTIONAL



4	5	6
Bezel	Rear razor	CW reversible

## SPN66 MACHINE WEIGHT 7,5 - 12,0 t (16535 - 26455 lb)

ADAPTERS

CW10  
KG 23 (LB 50)



L mm (in)	WEIGHT Kg* (lb*)	CAP. SAE l (gal)	 
1400 (55)	231 (509)	459 (121,3)	AF
1400 (55)	231 (509)	459 (121,3)	CW
1500 (59)	246 (542)	498 (131,6)	AF
1500 (59)	246 (542)	498 (131,6)	CW
1600 (63)	261 (575)	537 (141,9)	AF
1600 (63)	261 (575)	537 (141,9)	CW
1700 (67)	276 (608)	575 (151,9)	AF
1700 (67)	276 (608)	575 (151,9)	CW
1800 (71)	291 (642)	614 (162,2)	AF
1800 (71)	291 (642)	614 (162,2)	CW

### OPTIONAL

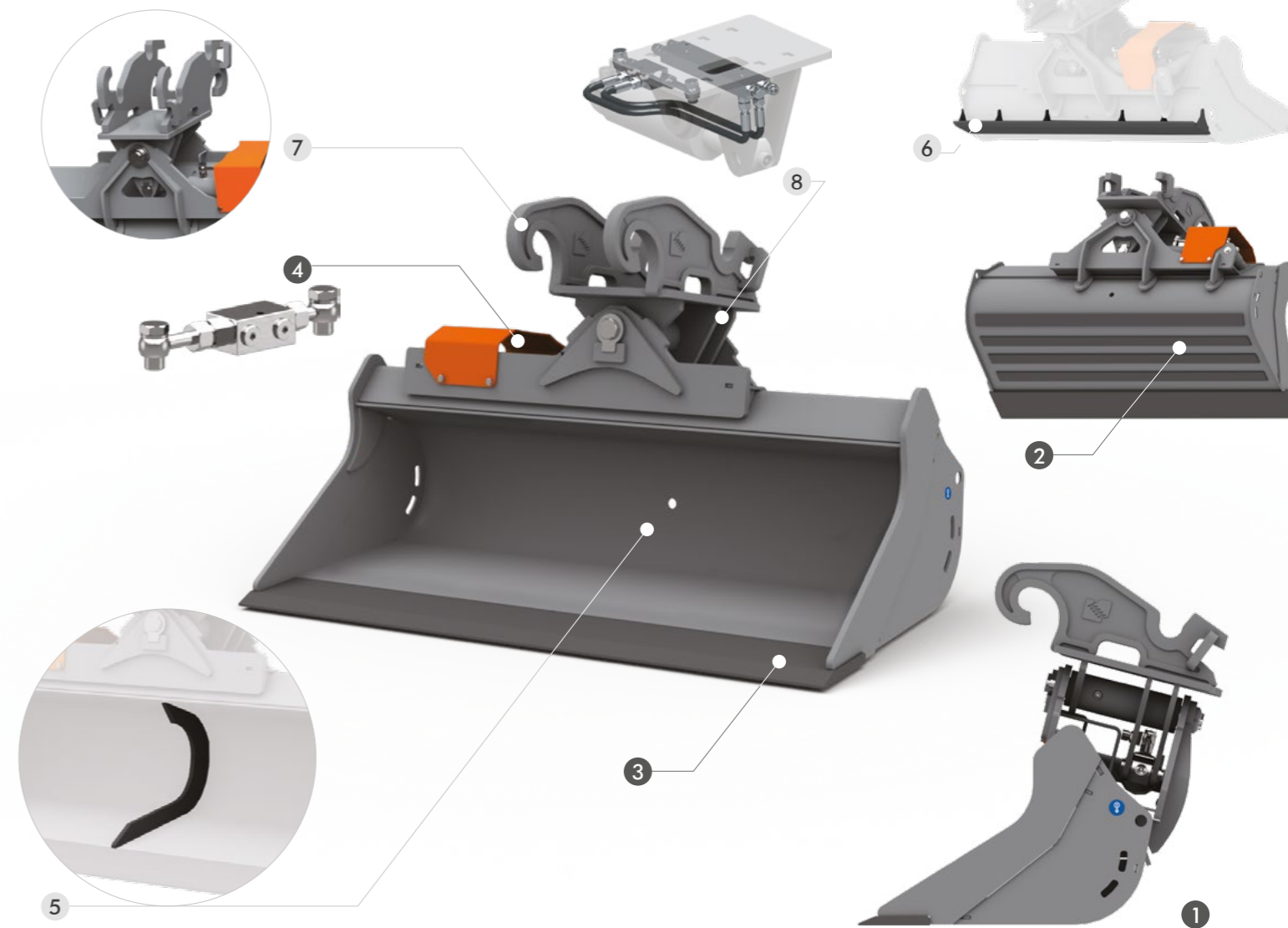
4	5	6
Bezel	Rear razor	CW reversible

\* weight of the tank excluding attachment

\* weight of the tank excluding attachment



HB400



## STANDARD TECHNICAL FEATURES

- 1 ELONGATED PROFILE**
- 2 HB400 REINFORCING STRIPS**  
THE HORIZONTAL REINFORCING STRIPS ON THE BUCKET'S REAR AND BOTTOM PROTECT THE BUCKET FROM WEAR AND INCREASE ITS RESISTANCE.
- 3 HB400 BLADE**
- 4 BLOCK VALVE**  
IT ALLOWS TO KEEP THE BUCKET POSITIONING DURING THE WORKING PHASE.

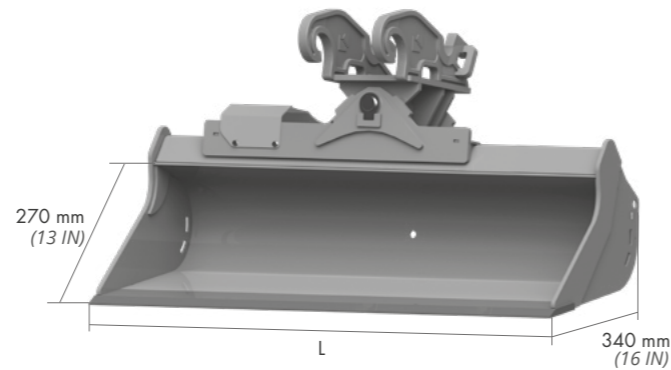
## OPTIONAL

- 5 BEZEL**  
IT ENSURES A HIGHER STRUCTURAL RESISTANCE TO BUCKETS WHOSE FRAME IS 1400 MM (55 IN) WIDE OR MORE.
- 6 REAR RAZOR**  
WHEN THE MACHINE'S ARM IS KEPT CLOSED, IT ALLOWS TO FINISH SURFACES EVENLY.
- 7 CW REVERSIBLE VERSION**  
THIS ADAPTER MAKES THE BUCKET REVERSIBLE.
- 8 PIPE KIT**  
OPTIONAL KIT INSTALLED ON THE BUCKET FOR THE FEEDING OF THE HYDRAULIC CYLINDER. IT ALLOWS THE USE OF TWO OUTLETS ON THE RIGHT AND TWO OUTLETS ON THE LEFT FOR THE HYDRAULIC CONNECTION TO THE MACHINE REDUCING THE INSTALLATION TIMES. THE CONNECTING PIPES ARE NOT SUPPLIED.

PARTICULARLY SUITABLE FOR FINISHING AND LEVELLING WORKS. ITS TILTING SYSTEM ENABLES TO TILT IT BY 45° ON BOTH SIDES. THE STANDARD SAFETY BLOCK VALVE ENABLES TO KEEP THE ANGLE. ITS ELONGATED SHAPE AVOIDS THAT THE GROUND STICKS TO THE BUCKET'S SIDE WALLS AND SIMPLIFIES THE DISCHARGE OF LOAMY AND WET MATERIALS. USED MAINLY TO CLEAN AND LEVEL STREETS, DITCHES AND DIKES. THE HOLLAND BUCKET IS EQUIPPED WITH HB400 BLADE.

MOD.	SQN28	SQN35	SQN41	SQN44	SQN50	VN55	VN66
Tons (lb)	1,0 - 1,8 (2204 - 3968)	1,5 - 2,5 (3306 - 5511)	2,2 - 3,5 (4850 - 7716)	3,2 - 4,5 (7054 - 9920)	4,2 - 6,0 (9259 - 13228)	6,2 - 7,5 (13668 - 16535)	7,5 - 12,0 (16535 - 26455)

## SQN28 MACHINE WEIGHT 0,6 - 1,2 t (1323 - 2646 lb)

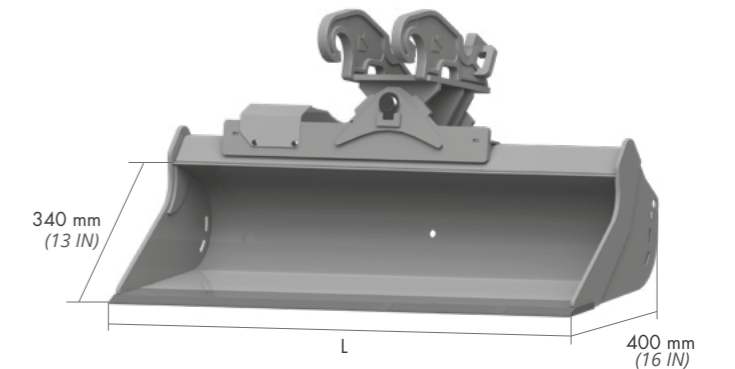


### OPTIONAL

6	7	8
Rear razor	CW reversible	Pipe kit

L mm (in)	WEIGHT Kg* (lb*)	CAP. SAE l (gal)	
800 (31)	67 (147)	47 (12,4)	AF
800 (31)	67 (147)	47 (12,4)	CW

## SQN35 MACHINE WEIGHT 1,2 - 1,8 t (2646 - 3968 lb)

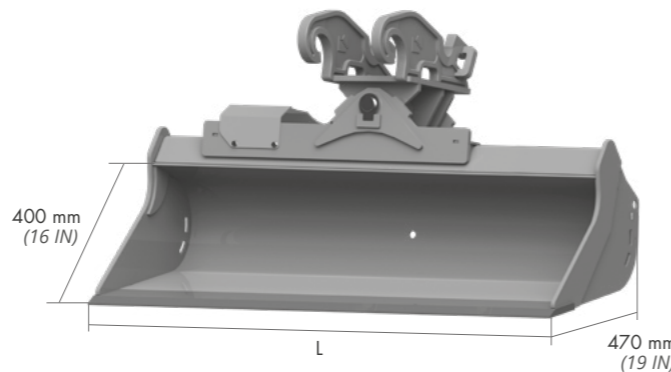


### OPTIONAL

6	7	8
Rear razor	CW reversible	Pipe kit

L mm (in)	WEIGHT Kg* (lb*)	CAP. SAE l (gal)	
800 (31)	71 (157)	77 (20,3)	AF
800 (31)	71 (157)	77 (20,3)	CW
900 (35)	76 (168)	89 (23,5)	AF
900 (35)	76 (168)	89 (23,5)	CW
1000 (39)	81 (179)	99 (26,2)	AF
1000 (39)	81 (179)	99 (26,2)	CW

## SQN41 MACHINE WEIGHT 1,8 - 2,5 t (3968 - 5512 lb)

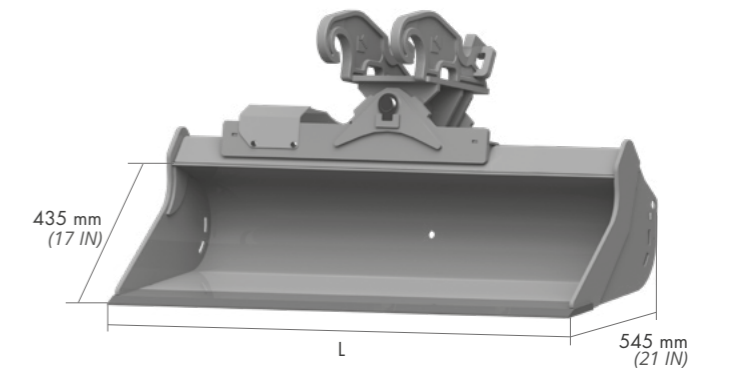


### OPTIONAL

5	6	7	8
Bezel	Rear razor	CW reversible	Pipe kit

L mm (in)	WEIGHT Kg* (lb*)	CAP. SAE l (gal)	
1000 (39)	132 (291)	107 (28,3)	AF
1000 (39)	132 (291)	107 (28,3)	CW
1100 (43)	139 (306)	119 (31,4)	AF
1100 (43)	139 (306)	119 (31,4)	CW
1200 (47)	145 (320)	131 (34,6)	AF
1200 (47)	145 (320)	131 (34,6)	CW

## SQN44 MACHINE WEIGHT 2,5 - 4,0 t (5512 - 8818 lb)



### OPTIONAL

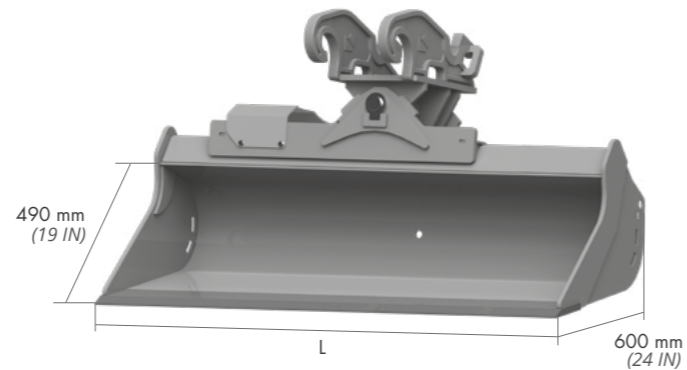
5	6	7	8
Bezel	Rear razor	CW reversible	Pipe kit

L mm (in)	WEIGHT Kg* (lb*)	CAP. SAE l (gal)	
1000 (39)	154 (340)	149 (39,4)	AF
1000 (39)	154 (340)	149 (39,4)	CW
1100 (43)	162 (357)	166 (43,9)	AF
1100 (43)	162 (357)	166 (43,9)	CW
1200 (47)	171 (377)	184 (48,6)	AF
1200 (47)	171 (377)	184 (48,6)	CW

\* weight of the tank excluding attachment

\* weight of the tank excluding attachment

## SQN50 MACHINE WEIGHT 4,0 - 6,0 t (8818 - 13228 lb)

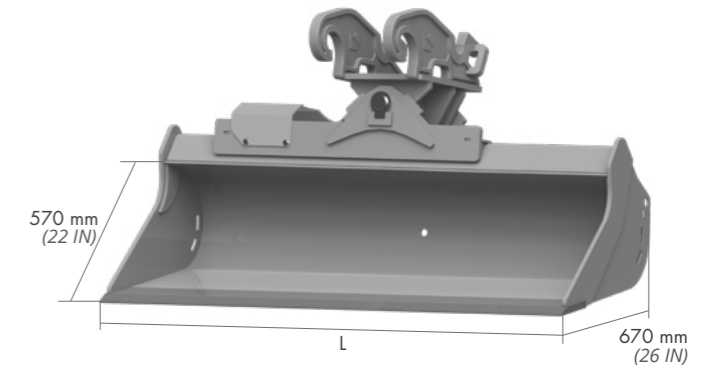


### OPTIONAL

5	6	7	8
Bezel	Rear razor	CW reversible	Pipe kit

L mm (in)	WEIGHT Kg* (lb*)	CAP. SAE l (gal)	
1000 (39)	166 (366)	192 (50,7)	AF
1000 (39)	166 (366)	192 (50,7)	CW
1100 (43)	176 (388)	215 (56,8)	AF
1100 (43)	176 (388)	215 (56,8)	CW
1200 (47)	185 (408)	238 (62,9)	AF
1200 (47)	185 (408)	238 (62,9)	CW
1300 (51)	195 (430)	261 (68,9)	AF
1300 (51)	195 (430)	261 (68,9)	CW
1400 (55)	204 (450)	284 (75,0)	AF
1400 (55)	204 (450)	284 (75,0)	CW

## SQN55 MACHINE WEIGHT 6,0 - 7,5 t (13228 - 16535 lb)

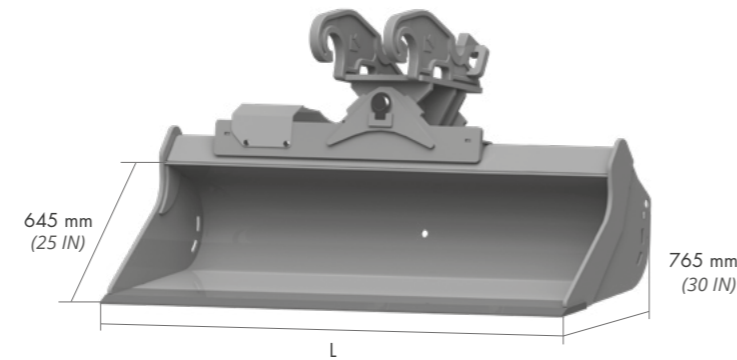


### OPTIONAL

5	6	7	8
Bezel	Rear razor	CW reversible	Pipe kit

L mm (in)	WEIGHT Kg* (lb*)	CAP. SAE l (gal)	
1200 (47)	272 (600)	283 (78,4)	AF
1200 (47)	272 (600)	283 (78,4)	CW
1300 (51)	285 (628)	311 (82,2)	AF
1300 (51)	285 (628)	311 (82,2)	CW
1400 (55)	297 (655)	341 (90,1)	AF
1400 (55)	297 (655)	341 (90,1)	CW
1500 (59)	309 (681)	368 (97,2)	AF
1500 (59)	309 (681)	368 (97,2)	CW
1600 (63)	322 (710)	396 (104,6)	AF
1600 (63)	322 (710)	396 (104,6)	CW

## SQN66 MACHINE WEIGHT 7,5 - 12,0 t (16535 - 26455 lb)



### OPTIONAL

5	6	7	8
Bezel	Rear razor	CW reversible	Pipe kit

L mm (in)	WEIGHT Kg* (lb*)	CAP. SAE l (gal)	
1400 (55)	337 (743)	459 (121,3)	AF
1400 (55)	337 (743)	459 (121,3)	CW
1500 (59)	352 (776)	498 (131,6)	AF
1500 (59)	352 (776)	498 (131,6)	CW
1600 (63)	367 (809)	537 (141,9)	AF
1600 (63)	367 (809)	537 (141,9)	CW
1700 (67)	382 (842)	575 (151,9)	AF
1700 (67)	382 (842)	575 (151,9)	CW
1800 (71)	398 (877)	614 (162,2)	AF
1800 (71)	398 (877)	614 (162,2)	CW

\* weight of the tank excluding attachment

\* weight of the tank excluding attachment



# GENERAL SALES CONDITIONS AND WARRANTY CONDITIONS

THESE GENERAL CONDITIONS OF SALE ARE BINDING AND CONSTITUTE AN INTEGRAL PART OF CONTRACTS SIGNED BY THE SELLER AND THE BUYER FOR THE SUPPLY OF THE SELLER'S PRODUCTS (THE "PRODUCTS").

THE CONDITIONS OF SALE APPLY TO ALL TRANSACTIONS CONCLUDED BETWEEN THE SELLER AND THE BUYER WITH NO NEED FOR SPECIFIC REFERENCE TO THEM OR A SPECIFIC AGREEMENT COVERING THEM ON THE FINALISATION OF EVERY SINGLE TRANSACTION; ANY CONDITION OR TERM AT VARIANCE WITH THEM WILL ONLY BE APPLIED IF CONFIRMED BY THE SELLER IN WRITING.

THE SELLER RESERVES THE RIGHT TO AMEND AND SUPPLEMENT OR VARY THE GENERAL TERMS AND CONDITIONS OF SALE BY ANNEXING ANY SUCH CHANGES TO ITS OFFERS OR ANY WRITTEN CORRESPONDENCE DISPATCHED TO THE BUYER.

## OFFERS AND ORDERS

THE SELLER'S OFFERS ARE NOT BINDING, IN PARTICULAR WITH REGARD TO QUANTITY, PRICES AND DELIVERY TERMS.

ORDERS MADE BY THE BUYER ARE NOT CONSIDERED ACCEPTED UNTIL CONFIRMED IN WRITING BY THE SELLER; THE BUYER MAY AMEND AND/OR CANCEL THE ORDER WITHIN 24 HOURS AFTER ITS RECEIPT, AS SPECIFICALLY STATED IN THE ORDER CONFIRMATION.

ORDERS AND/OR REQUESTS FOR AMENDMENTS TO ORDERS MADE VERBALLY OR BY TELEPHONE MUST BE CONFIRMED BY THE BUYER IN WRITING; OTHERWISE, THE SELLER ACCEPTS NO LIABILITY WITH REGARDS TO ANY POSSIBLE ERRORS OR MISUNDERSTANDINGS.

## PRICES AND PAYMENT TERMS

UNLESS OTHERWISE STATED IN THE ORDER CONFIRMATION, THE PRICE OF THE PRODUCTS IS THAT STATED IN THE 25.1.3 PRICE LIST IN FORCE AS OF THE DATE OF THE ORDER. PRICES OF THE PRODUCTS DO NOT INCLUDE VAT, WHICH SHALL BE PAYABLE ON DELIVERY OR IN ACCORDANCE WITH THE SPECIFIC INSTRUCTIONS PROVIDED IN THE INVOICE.

TAXES, DUTIES, SHIPPING, INSURANCE AND AFTER-SALES SERVICE ARE NOT INCLUDED IN PRICES UNLESS QUOTED SEPARATELY.

IN CASE OF LATE PAYMENT OR FAILURE TO PAY WITHIN THE AGREED TERMS, THE SELLER MAY CHARGE INTEREST FOR ARREARS, WHILE RETAINING THE RIGHT TO COMPENSATION FOR ANY OTHER DAMAGE INCURRED, AND MAY SUSPEND AND/OR CANCEL FURTHER DELIVERIES AND DEMAND IMMEDIATE PAYMENT OF THE SUMS DUE. THE PARTIES HEREBY AGREE THAT IN CASE OF DISPUTES BETWEEN THEM CONCERNING THIS CONTRACT, THE BUYER MAY NOT DELAY AND/OR SUSPEND PAYMENTS FOR THE ORDERS EXECUTED, ON ANY GROUNDS.

IN CASE OF CHANGES TO THE BUYER'S ECONOMIC STATUS, THE SELLER MAY DEMAND IMMEDIATE PAYMENT, IMPLEMENT THE ACCELERATION CLAUSE AND CHANGE THE PAYMENT TERMS, ALSO REQUIRING TOTAL OR PARTIAL PAYMENT IN ADVANCE BEFORE SHIPMENT.

IN ALL CASES THE BUYER SHALL NOT BE ENTITLED TO MAKE DEDUCTIONS OR WITHHOLD SUMS FROM, OR TO REDUCE, THE PRICE AND/OR THE SUMS DUE TO THE SELLER FOR ANY REASON, WITHOUT THE SELLER'S SPECIFIC WRITTEN CONSENT.

## DELIVERY TERMS

UNLESS OTHERWISE AGREED IN WRITING, NO DELIVERY TERM IS BINDING ON THE SELLER; UNLESS OTHERWISE AGREED BETWEEN THE PARTIES, THE GUIDELINE DELIVERY TERM IS THAT STATED IN THE ORDER CONFIRMATION. THE DELIVERY TERMS AND PROCEDURES FOR PRODUCTS AND/OR SPARE PARTS ARE THOSE STATED BY THE SELLER IN THE ORDER CONFIRMATION; THE SELLER HAS NO RESPONSIBILITY FOR DELAYS DUE TO CHANCE CIRCUMSTANCES, FORCE MAJEURE OR THE ACTIONS OF THIRD PARTIES OR PUBLIC AUTHORITIES, OR DUE TO CAUSES LINKED TO THE BUYER, AS SPECIFICALLY SET FORTH BY ART. 1341 OF THE ITALIAN CIVIL CODE.

THE SELLER IS NOT OBLIGED TO ACCEPT RETURNS OF THE PRODUCTS UNLESS SPECIFICALLY AGREED IN WRITING. ANY COSTS INCURRED FOR THIS PURPOSE ARE PAYABLE BY THE BUYER.

## WARRANTY CONDITIONS

A) THE SELLER GUARANTEES THAT THE PRODUCTS AND/OR SPARE PARTS ARE FREE FROM DEFECTS AND THAT THEY COMPLY WITH THE TECHNICAL SPECIFICATIONS DECLARED IN THE PRODUCT TECHNICAL MANUALS AND THE DOCUMENTATION SUPPLIED TO THE BUYER.

B) THE WARRANTY IS VALID FOR 12 MONTHS FROM THE TIME WHEN THE PRODUCT AND/OR SPARE PARTS AND/OR PRODUCT PARTS LEAVE THE SELLER'S PREMISES.

C) THE SELLER IS NOT LIABLE, EVEN WITH REGARD TO DAMAGE TO THIRD PARTIES, FOR MISUSE OF THE PRODUCTS AND/OR SPARE PARTS, OR THEIR USE IN BREACH OF THE PROVISIONS OF THE USE AND MAINTENANCE MANUALS, OR FOR THEIR USE BY UNSKILLED PERSONNEL.

D) IN CASE OF TAMPERING WITH THE PRODUCTS AND/OR SPARE PARTS OR ANY MAINTENANCE AND/OR REPAIR OF THE SAME, OR REPLACEMENT OF PARTS WITHOUT THE SELLER'S WRITTEN AUTHORISATION, THE WARRANTY SHALL BE VOIDED.

E) ON RECEIPT OF THE PRODUCTS AND/OR SPARE PARTS, THE BUYER SHALL INSPECT THEIR PACKAGING AND CHECK THEIR QUANTITY AND THAT THEY COMPLY WITH THE ORDER CONFIRMATION, ENTERING ANY DISCREPANCIES IN THE DELIVERY NOTE.

F) ALL DEFECTS OR NONCONFORMITIES IN PRODUCTS AND/OR SPARE PARTS MUST BE REPORTED TO THE SELLER, IN WRITING, WITHIN 8 DAYS AFTER RECEIPT, ENCLOSED A DETAILED REPORT AND PHOTOGRAPHIC DOCUMENTATION OF THE CLAIMED FAULTS AND A COPY OF THE DELIVERY NOTE CONTAINING THE COMPLAINTS ENTERED IN IT.

G) CATALOGUES, PRICE LISTS AND MARKETING MATERIAL SUPPLIED BY THE SELLER CONTAINING GUIDELINE IMAGES AND DESCRIPTIONS OF THE PRODUCT CANNOT BE USED AS PROOF OF THE PRODUCT'S NONCONFORMITY.

H) AFTER VERIFICATION THAT THE PRODUCT CLAIMED TO BE FAULTY IS ENTITLED TO WARRANTY COVER, CANGINI BENNE SHALL DECIDE NOW TO PROCEED, WHILE GUARANTEEING THAT THE PROBLEM WILL BE RESOLVED IN THE SHORTEST POSSIBLE TIMES.

I) ALL PRODUCTS AND/OR SPARE PARTS, INCLUDING THOSE SENT AS REPLACEMENTS OR PRIOR TO VERIFICATION OF THE WARRANTY COVER, SHALL BE DISPATCHED WITH SALES DELIVERY DOCUMENT AND BILLED TO THE BUYER. AFTER THE APPROPRIATE CHECKS, IF THE REPLACEMENT IS FOUND TO BE WITHIN THE TERMS OF THE WARRANTY, THE SELLER WILL PROCEED TO ISSUE A CREDIT NOTE.

L) THIS WARRANTY DOES NOT COVER ANY DIRECT OR INDIRECT DAMAGE TO THE CUSTOMER OR THIRD PARTIES, DAMAGE FROM LOSS OF EARNINGS, ACCIDENTAL DAMAGE, COMMERCIAL DAMAGE, DELAYS IN WORKS, REPUTATIONAL DAMAGE OR ANY OTHER DAMAGE TO THE BUYER, OR ITS INTERNAL HANDLING COSTS. THE WARRANTY DOES NOT COVER TRAVEL EXPENSES FOR THE DISPATCH OF PRODUCTS AND/OR SPARE PARTS.

M) THE SELLER RESERVES THE RIGHT TO SEND THE BUYER A REPLACEMENT PRODUCT AND/OR SPARE PART FOR THE TIME NECESSARY FOR ANY CHECKS AND REPAIRS.

# GENERAL SALES CONDITIONS AND WARRANTY CONDITIONS

## LIABILITY LIMITATION

EXCEPT IN CASES OF JUSTIFIED CLAIMS, THE BUYER IS NOT GRANTED ANY FURTHER RIGHTS OR REMEDIES. IN PARTICULAR, THE SELLER IS NOT LIABLE FOR ANY COMPENSATION CLAIMED FOR BREACH OR VIOLATION OF CONTRACT OR FOR ANY DIRECT DAMAGE OR LOSS OF EARNINGS INCURRED BY THE BUYER AS A CONSEQUENCE OF THE USE OF OR FAILURE TO USE PRODUCTS, OR THEIR INSTALLATION IN OTHER PRODUCTS, EXCEPT FOR THE CIRCUMSTANCES COVERED BY THE WARRANTY SET OUT IN THE PREVIOUS POINT, OR IN CASE OF WILFUL MALPRACTICE OR SERIOUS NEGLIGENCE BY THE SELLER.

THE SELLER WILL DO EVERYTHING IN ITS POWER TO DELIVER THE PRODUCTS BY ANY TERM AGREED, BUT UNDER NO CIRCUMSTANCES SHALL IT BE HELD RESPONSIBLE FOR DAMAGE CAUSED DIRECTLY OR INDIRECTLY BY DELAY IN THE FULFILMENT OF A CONTRACT OR LATE DELIVERY OF THE PRODUCTS.

THE SELLER'S CATALOGUE, PRICE LIST OR OTHER MARKETING MATERIAL CONSTITUTES ONLY GUIDANCE CONCERNING THE PRODUCTS' TYPE, AND THE PRICES AND INDICATIONS CONTAINED THEREIN ARE NOT BINDING ON THE SELLER. THE SELLER THEREFORE DOES NOT ACCEPT ANY LIABILITY FOR ERRORS OR OMISSIONS IN ITS PRICE LIST OR MARKETING MATERIAL.

## INTELLECTUAL PROPERTY RIGHTS OF CANGINI BENNE S.R.L.

THE CUSTOMER SPECIFICALLY RECOGNISES THAT THE BRANDS, COMMERCIAL NAMES OR OTHER DISTINGUISHING MARKS APPLIED TO THE GOODS ARE THE EXCLUSIVE PROPERTY OF CANGINI BENNE S.R.L. AND MAY NOT BE ALTERED, MODIFIED, REMOVED OR ERASED IN ANY WAY. THE CUSTOMER HAS A LIMITED RIGHT TO USE OF THE BRANDS, COMMERCIAL NAMES OR OTHER DISTINGUISHING MARKS, AND OF ANY OTHER RIGHT TO INDUSTRIAL PROPERTY OR PRODUCTION AND COMMERCIAL KNOW-HOW INCORPORATED IN THE GOODS, WHICH CONTINUES TO BE THE EXCLUSIVE PROPERTY OF CANGINI BENNE S.R.L., FOR THE SOLE PURPOSE OF THE RETAIL SALE OF THE GOODS. ANY OTHER USE OF CANGINI BENNE S.R.L.'S INTELLECTUAL PROPERTY BY THE CUSTOMER, IF NOT SPECIFICALLY AUTHORISED BY THE FORMER IN WRITING, SHALL CONSTITUTE A VIOLATION ON THE PART OF THE CUSTOMER OF CANGINI BENNE S.R.L.'S AFORESAID EXCLUSIVE RIGHTS, AND SHALL LEAD TO PROSECUTION FOR BREACH OF CONTRACT.

ANY DOCUMENTS, DRAWINGS, DATA AND INFORMATION (WHETHER IN PAPER OR DIGITAL FORMAT) CONSIGNED TO THE CUSTOMER CONTINUE TO BE THE EXCLUSIVE PROPERTY OF CANGINI BENNE S.R.L.. THEY CONSTITUTE AN AID FOR THE CLEARER REPRESENTATION OF THE PRODUCT AND PROVIDE GUIDANCE AS TO THE PRODUCT'S PERFORMANCES.

THE CUSTOMER UNDERTAKES NOT TO COPY THEM, NOT TO DISCLOSE THEM TO THIRD PARTIES, AND TO ADOPT ALL APPROPRIATE PRECAUTIONS IN RELATION TO ITS STAFF TO ENSURE THEIR PROTECTION.

## PERSONAL DATA PROCESSING

A) THE BUYER PERSONAL DATA WILL BE PROCESSED IN ACCORDANCE WITH ITALIAN LAW ON THE PROCESSING OF PERSONAL DATA, SUCH AS THE GDPR AND LEGISLATIVE DECREE 101/2018, AS AMENDED.

THE SELLER INFORMS THE BUYER THAT THE FORMER IS THE DATA CONTROLLER AND THAT THE BUYER'S PERSONAL DATA ARE COLLECTED AND PROCESSED SOLELY FOR THE EXECUTION OF THIS AGREEMENT.

B) THE DATA AND INFORMATION PROCESSED IN ACCORDANCE WITH THESE GENERAL CONDITIONS OF SALE WILL NOT BE DISCLOSED TO THIRD PARTIES IN ANY WAY UNLESS SPECIFICALLY AUTHORISED IN WRITING BY THE SELLER, SUBJECT TO LEGAL OBLIGATIONS REGARDING THE SUBMISSION TO PUBLIC AUTHORITIES OF DOCUMENTS CONTAINING PERSONAL DATA.

C) EACH PARTY UNDERTAKES TO INFORM THE OTHER WITHOUT DELAY OF ANY VIOLATION OF RIGHTS TO THE BRAND WHICH COMES TO ITS KNOWLEDGE, AND ANY OTHER FORM OF UNFAIR COMPETITION BY THIRD PARTIES, TO ENABLE THE VICTIM PARTY TO TAKE THE DEFENSIVE ACTIONS IT CONSIDERS NECESSARY OR APPROPRIATE, IN THEIR JOINT INTEREST.

## APPLICABLE LAW

A) IF THE BUYER IS AN ENTITY UNDER ITALIAN LAW, THESE GENERAL CONDITIONS OF SALE AND ALL THE CONTRACTS IT SIGNS WITH THE SELLER SHALL BE GOVERNED BY ITALIAN LAW.

B) IF, ON THE OTHER HAND, THE BUYER IS OF NON-ITALIAN NATIONALITY, THESE GENERAL CONDITIONS OF SALE AND ALL THE CONTRACTS IT SIGNS WITH THE SELLER SHALL BE GOVERNED BY THE 1980 VIENNA CONVENTION ON CONTRACTS FOR THE INTERNATIONAL SALE OF GOODS.

## LEGAL JURISDICTION

A) ALL DISPUTES ARISING FROM THIS CONTRACT SHALL BE SUBMITTED TO THE SOLE JURISDICTION OF FORLÌ LAW COURT.

THE PARTIES AGREE THAT ONLY THE SELLER, AT ITS OWN DISCRETION, MAY WAIVE THE SOLE JURISDICTION OF THE COURT REFERRED TO IN POINT A) ABOVE TO BRING PROCEEDINGS AGAINST THE BUYER AT ITS DOMICILE OR BEFORE THE COURT WITH COMPETENCE THERE.

## GENERAL PROVISIONS

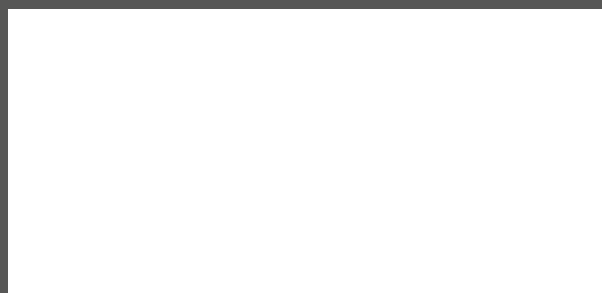
A) THE INVALIDITY OF ALL OR PART OF INDIVIDUAL PROVISIONS OF THESE GENERAL TERMS AND CONDITIONS OF SALE SHALL NOT AFFECT THE VALIDITY OF THE REMAINING PROVISIONS.

B) EVERY AMENDMENT OR SUPPLEMENT TO THIS CONTRACT MUST BE MADE IN WRITING AND DULY SIGNED BY THE PARTIES.

C) THESE GENERAL CONDITIONS OF SALE ARE ISSUED IN TWO LANGUAGES, ITALIAN AND ENGLISH. IN THE EVENT OF DOUBTS AS TO THEIR INTERPRETATION THE ITALIAN VERSION SHALL PREVAIL.



[www.canginibenne.com](http://www.canginibenne.com)



**CANGINI BENNE S.R.L.**

[commerciale@canginibenne.com](mailto:commerciale@canginibenne.com)

Via Savio, 29/31 47027 Sarsina (FC).Italy

Tel. +39 0547 698020 Fax +39 0547 698021