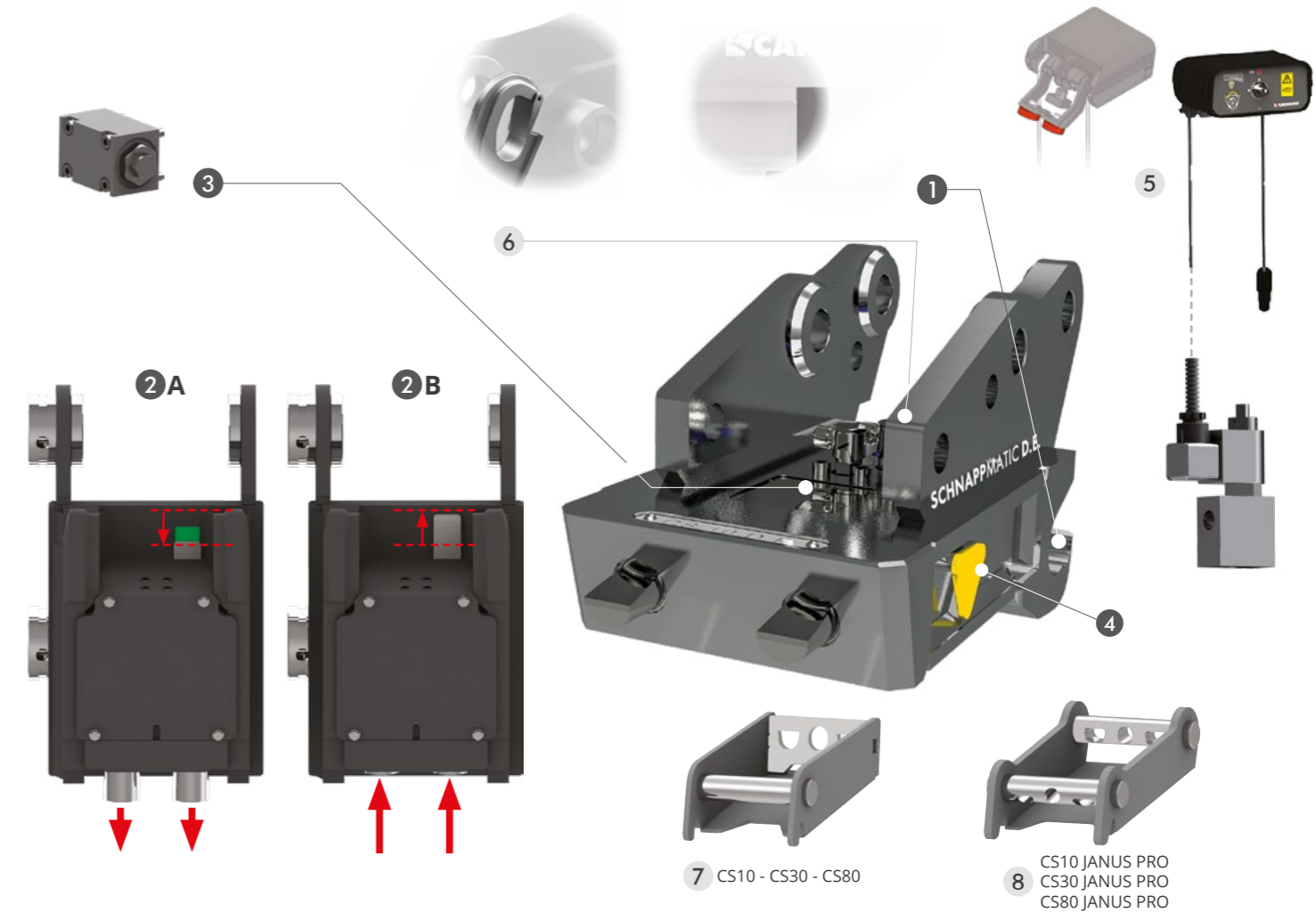




NB: AT THE TIME OF ORDER, PLEASE NOTIFY THE VOLTAGE OF THE ELECTRICAL SYSTEM (12-24 V)

THE CS SCHNAPPMATIC D.E. QUICK COUPLER, WITH ITS **DOUBLE ACTION** SYSTEM, MANAGES THE LOCKING AND UNLOCKING OPERATIONS DIRECTLY FROM THE CAB IN A FEW SECONDS. IT IS EQUIPPED WITH DIFFERENT SAFETY SYSTEMS, SUCH AS THE **VISUAL INDICATOR FOR THE LOCKING STATUS CONTROL**, THE **STANDARD BLOCK VALVE** AND THE **DOUBLE-NOTCH PROFILE OF THE FORK**. THE HARDOX400 FORK MAKES THE QUICK COUPLER SUITED TO HIGH WORKLOADS AND GRANTS ITS LONG USEFUL LIFE.



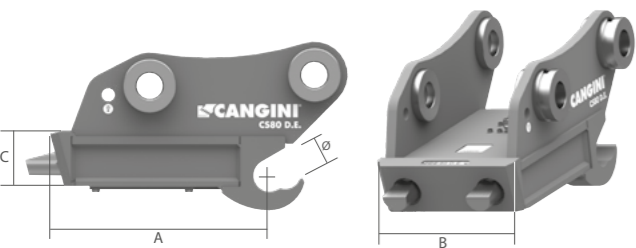
STANDARD TECHNICAL FEATURES

- 1 FORK'S DOUBLE PROFILE**
NEW DOUBLE CRADLE PROFILE CREATE A GREATER OBSTACLE TO THE ACCIDENTAL FALL OF THE TOOL.
- 2 FRONT SAFETY SYSTEM**
THROUGH TO THE VISUAL INDICATOR PLACED IN THE COUPLER, THE VISUALISATION OF THE LOCKING CONDITION IS SIMPLE AND IMMEDIATE.
A LOCKINIG PINS **B** UNLOCKIN PINS
- 3 SAFETY BLOCK VALVE**
IT ALLOWS THE QUICK COUPLER TO HOLD ITS POSITION EVEN IN THE CASE OF A PRESSURE LOSS ON THE HYDRAULIC LINE.
- 4 "SAFE CHECK" SIDE COUPLING INDICATOR**
THE 'SAFE CHECK' SIDE INDICATOR ALLOWS THE QUICK COUPLER'S FULL CONTROL OVER THE ADAPTER.IT PERMITS TO CHECK IF THE QUICK COUPLER IS IN THE RIGHT POSITION TO ENSURE CORRECT COUPLING ONCE THE PINS ARE OUT..

OPTIONAL

- 5 HYDRAULIC INSTALLATION KIT**
WITH THE HYDRAULIC QUICK COUPLER THE INSTALLATION KIT CAN BE PROVIDED, INCLUDING SOLENOID VALVE AND ELECTRIC SWITCH WITH MAGNETS TO EASILY PUT IT INSIDE THE CAB
- 6 LIFTING HOOK**
UPON REQUEST, A LOADING HOOK WILL BE FITTED, COVERED WITH AN APPROVAL ON THE CONFORMITY DECLARATION OF OUR PRODUCT.
NB* THE LIFTING CAPACITY OF THE HOOK IS ADJUSTED ACCORDING TO THE SUPPORT TO WHICH THE HOOK IS APPLIED. THIS CAPACITY IS INDICATED IN THE PRODUCT'S OWNER'S MANUAL.
- 7 CS ADAPTER**
THE ADAPTER APPLIED TO ANY TOOL ENABLES THE COUPLING WITH THE CS SCHNAPPMATIC D.E. QUICK COUPLER.
- 8 JANUS PRO ADAPTER**
THE JANUS PRO ADAPTER MAKES THE TOOL REVERSIBLE.

HYDRAULIC DOUBLE ACTION



TONS (LB)	0,6 - 2,5 (1323 - 5512)		2,5 - 6,0 (5512 - 13227)		5,0 - 12,0 (11023 - 26455)	
MOD.	CS10 D.E.		CS30 D.E.		CS80 D.E.	
A MM (IN)	250 (9,8)	316 (12,5)	436 (17,2)			
B MM (IN)	180 (7,1)	200 (8)	290 (11)			
C MM (IN)	72 (2,8)	78 (3,1)	105 (4,1)			
Ø MM (IN)	40 (1,6)	50 (2,0)	60 (2,4)			
W/O COUPLER	KG (LB)	16 (35)	25 (55)	61 (135)		
MAX	BAR (PSI)	200 (2901)	200 (2901)	200 (2901)		