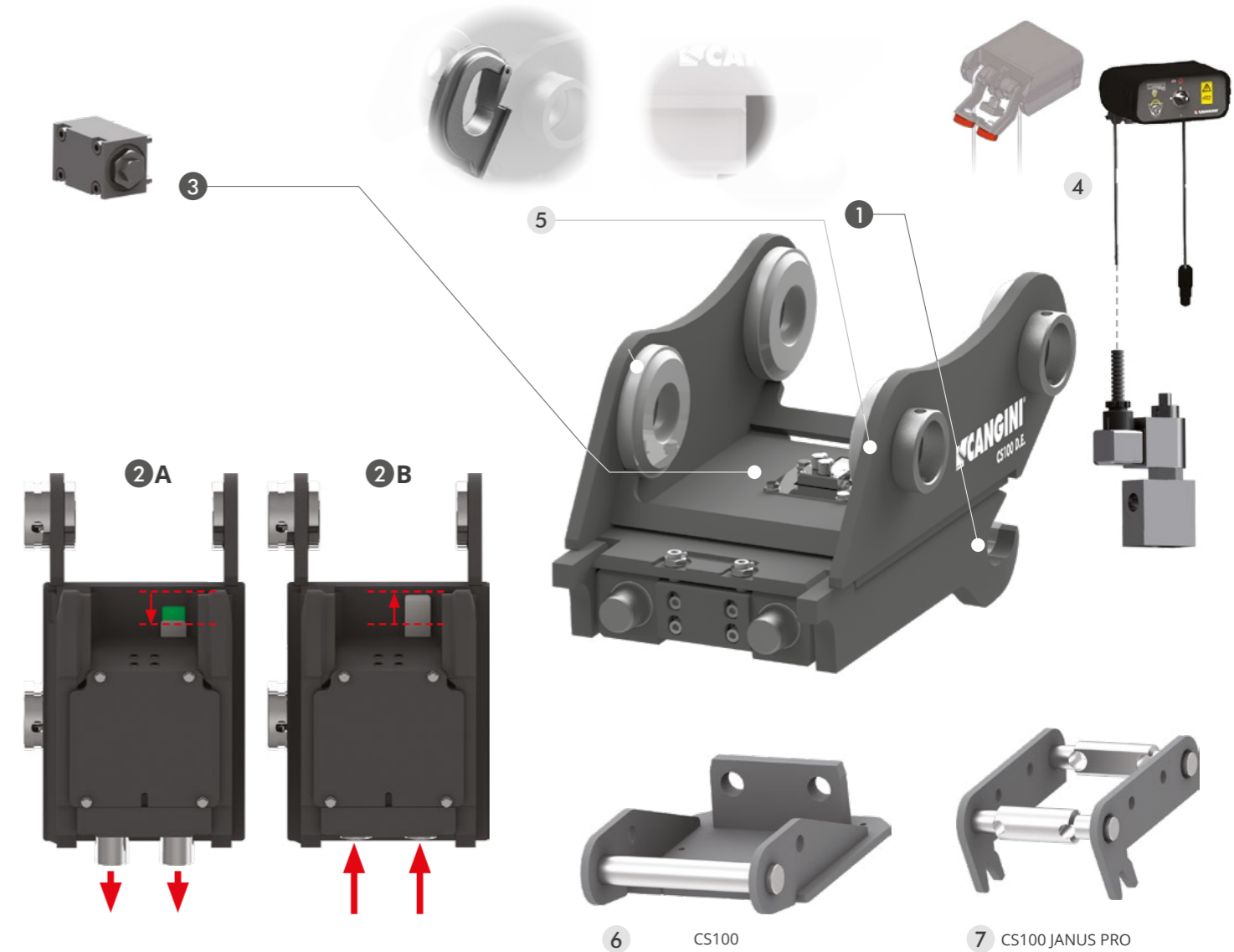




NB: AT THE TIME OF ORDER, PLEASE NOTIFY THE VOLTAGE OF THE ELECTRICAL SYSTEM (12-24 V)

THE CS SCHNAPPMATIC D.E. QUICK COUPLER, WITH ITS **DOUBLE ACTION** SYSTEM, MANAGES THE LOCKING AND UNLOCKING OPERATIONS DIRECTLY FROM THE CAB IN A FEW SECONDS. IT IS EQUIPPED WITH DIFFERENT SAFETY SYSTEMS, SUCH AS THE VISUAL INDICATOR FOR THE LOCKING STATUS CONTROL, THE STANDARD BLOCK VALVE AND THE DOUBLE-NOTCH PROFILE OF THE FORK. THE HB400 FORK MAKES THE QUICK COUPLER SUITED TO HIGH WORKLOADS AND GRANTS ITS LONG USEFUL LIFE. THE MODEL FOR MACHINES FROM 12 TO 19 TONS IS THE CS100 SCHNAPPMATIC D.E., DEFINED BY CONE-SHAPED PINS THAT GRANT AN EFFICIENT EQUILIBRIUM OF FORCES.



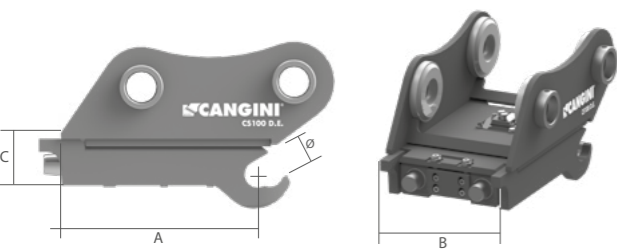
STANDARD TECHNICAL FEATURES

- 1 FORK'S DOUBLE PROFILE**
NEW DOUBLE CRADLE PROFILE CREATE A GREATER OBSTACLE TO THE ACCIDENTAL FALL OF THE TOOL.
- 2 VISUAL MARKER OF THE COUPLING CONDITION**
THANKS TO THE VISUAL MARKER ON THE COUPLER, THE DISPLAY OF THE COUPLING CONDITION IS EASY AND IMMEDIATE:
A LOCKED PINS **B** UNLOCKED PINS
- 3 SAFETY BLOCK VALVE**
IT ALLOWS THE QUICK COUPLER TO HOLD ITS POSITION EVEN IN THE CASE OF A PRESSURE LOSS ON THE HYDRAULIC LINE.

OPTIONAL

- 4 HYDRAULIC INSTALLATION KIT**
WITH THE HYDRAULIC QUICK COUPLER THE INSTALLATION KIT CAN BE PROVIDED, INCLUDING SOLENOID VALVE AND ELECTRIC SWITCH WITH MAGNETS TO EASILY PUT IT INSIDE THE CAB
- 5 LIFTING HOOK**
UPON REQUEST, A LOADING HOOK WILL BE FITTED, COVERED WITH AN APPROVAL ON THE CONFORMITY DECLARATION OF OUR PRODUCT.
NB* THE LIFTING CAPACITY OF THE HOOK IS ADJUSTED ACCORDING TO THE SUPPORT TO WHICH THE HOOK IS APPLIED. THIS CAPACITY IS INDICATED IN THE PRODUCT'S OWNER'S MANUAL.
- 6 CS ADAPTER**
THE ADAPTER APPLIED TO ANY TOOL ENABLES THE COUPLING WITH THE CS SCHNAPPMATIC D.E. QUICK COUPLER.
- 7 JANUS PRO ADAPTER**
THE JANUS PRO ADAPTER MAKES THE TOOL REVERSIBLE.

HYDRAULIC DOUBLE ACTION



TONS (LB)	12,0 - 19,0 (26455 - 41888)	
MOD.	CS100 D.E.	
A MM (IN)	520	(20,5)
B MM (IN)	395	(15,6)
C MM (IN)	172	(6,8)
Ø MM (IN)	70	(2,7)
W/O COUPLER	KG (LB)	130 (287)
MAX	BAR (PSI)	200 (2900)