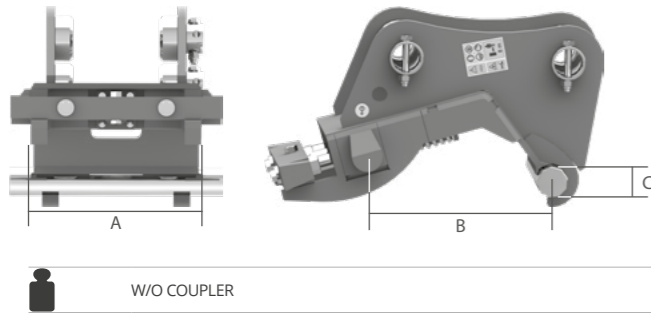




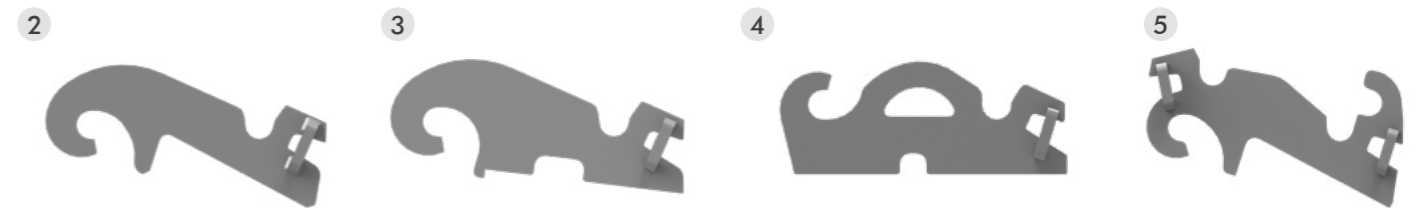
NB: AT THE TIME OF ORDER, PLEASE NOTIFY THE VOLTAGE OF THE ELECTRICAL SYSTEM (12-24 V)

THE PATENTED SEMI-AUTOMATIC CW AUTO'LOCK QUICK COUPLER ENABLES THE FAST LOCKING AND UNLOCKING OF THE ATTACHMENTS, CONSIDERABLY REDUCING THE TIME FOR THEIR REPLACEMENT. IT IS PROVIDED WITH A SEMI-AUTOMATIC SYSTEM THAT REQUIRES THE MANUAL INTERVENTION WHEN THE TOOL HAS TO BE RELEASED. BOTH THE LOCKING AND THE SAFE BLOCKING OF THE NEW TOOL ARE AUTOMATICALLY OPERATED.

SEMI-AUTOMATIC



| TONS (LB) | 0,6 - 4,0 (1323 - 8818) | 4,0 - 10,0 (8818 - 22046) |
|------------------|-------------------------|---------------------------|
| MOD. | CW05 S.A. | CW10 S.A. |
| A MM (IN) | 175 (6,9) | 305 (12) |
| B MM (IN) | 200 (7,9) | 300 (11,9) |
| C MM (IN) | 40 (1,6) | 50 (2) |
| KG (LB) | 24 (53) | 74 (163) |



OPTIONAL

- LIFTING HOOK**
UPON REQUEST, A LOADING HOOK WILL BE FITTED, COVERED WITH AN APPROVAL ON THE CONFORMITY DECLARATION OF OUR PRODUCT.
NB* THE LIFTING CAPACITY OF THE HOOK IS ADJUSTED ACCORDING TO THE SUPPORT TO WHICH THE HOOK IS APPLIED. THIS CAPACITY IS INDICATED IN THE PRODUCT'S OWNER'S MANUAL.
- CW ON HINGE**
RECOMMENDED APPLICATION ON BUCKETS.
- CW FOR TILTING BUCKETS**
RECOMMENDED APPLICATIONS ON TILTING BUCKETS.
- REVERSE CW**
RECOMMENDED APPLICATION ON FLAT PLATES, SUCH AS ADAPTER PLATES, MULCHERS, SHEARS, ETC.
- REVERSIBLE CW**
RECOMMENDED APPLICATIONS ON BUCKETS USED IN BACK OR FRONT DIGGING WORKS.