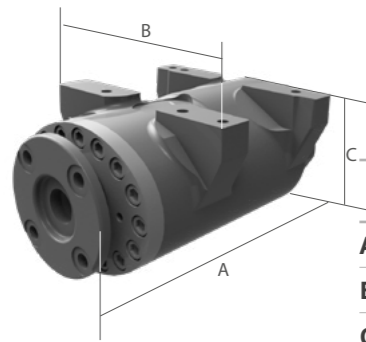




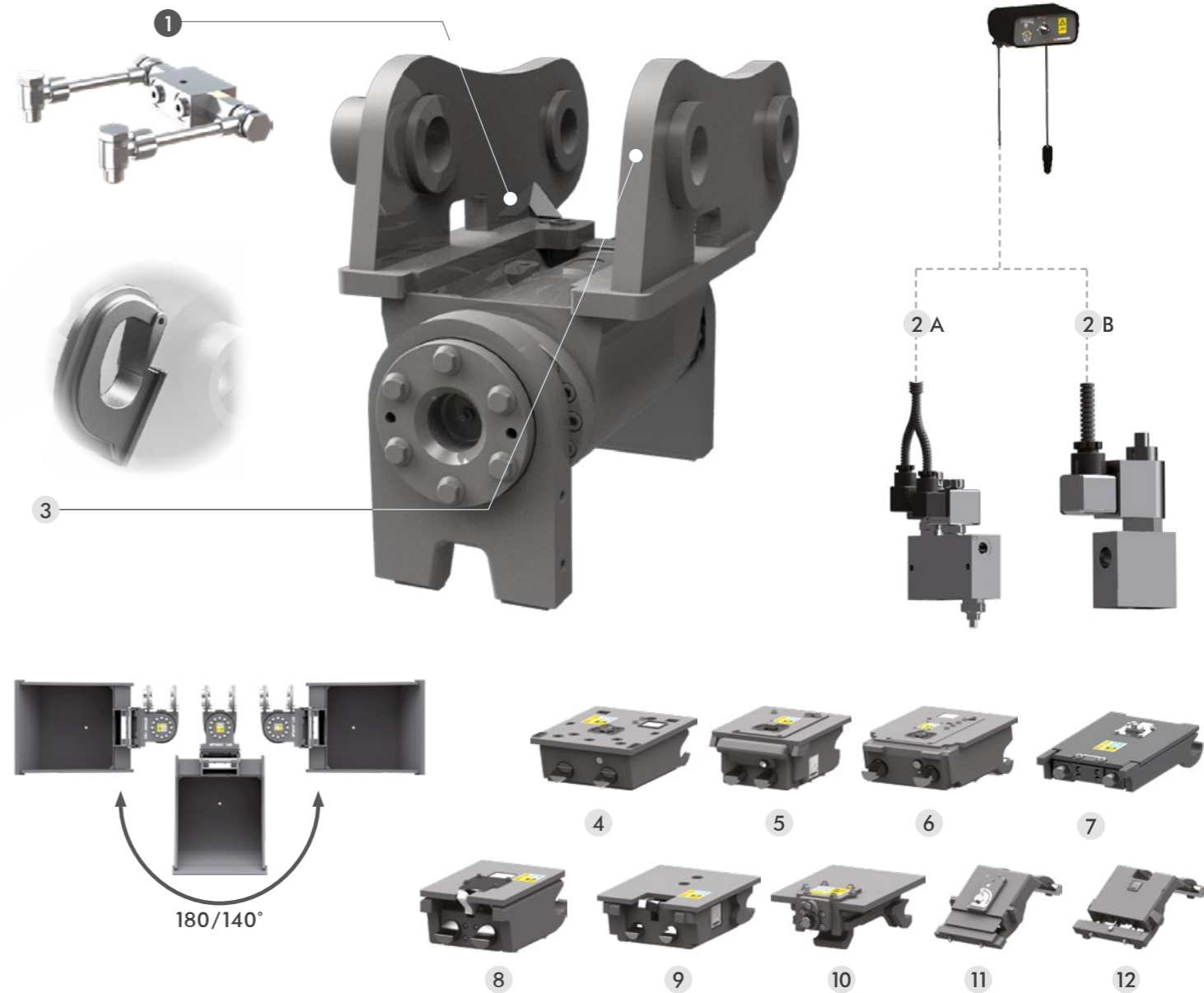
NB: AT THE TIME OF ORDER, PLEASE NOTIFY THE VOLTAGE OF THE ELECTRICAL SYSTEM (12-24 V)

TWIST KS HYDRAULIC ACTUATOR ALLOWS AN INCLINATION OF UP TO 180°, INCREASING FLEXIBILITY AND EFFICIENCY OF ALL EQUIPMENT TO SIMPLIFY THE DIGGING OPERATIONS ALSO IN PLACES DIFFICULT TO REACH. THE DESIGN IS COMPACT WITH MINIMAL HEIGHT AND LOW WEIGHT, WHILE ITS ROBUST STRUCTURE ENSURES A LONG WORKING LIFE. REQUIRES SUPPLY VIA DOUBLE-ACTING HYDRAULIC LINE.



TONS* (LB)	1,0 - 2,9 (2204 - 6393)	2,5 - 4,5 (5511 - 9000)	4,5 - 7,5 (9000 - 16534)	6,0 - 10,0 (13227 - 22046)	9,0 - 14,0 (19841 - 30864)	12,0 - 19,0 (26455 - 41888)	16,0 - 23,0 (35274 - 50706)	
MOD.	TWIST KS 02	TWIST KS 4.5	TWIST KS 07	TWIST KS 10	TWIST KS 14	TWIST KS 19	TWIST KS 23	
A MM (IN)	255 (10)	325 (13)	360 (14)	450 (18)	525 (21)	570 (22)	650 (26)	
B MM (IN)	170 (7)	165 (6)	205 (8)	205 (8)	320 (13)	350 (14)	390 (15)	
C MM (IN)	118 (5)	136 (5)	155 (6)	175 (7)	220 (9)	235 (9)	263 (10)	
kg W/O COUPLER, PLATE AND QUICK COUPLER	KG (LB)	25 (55)	31 (68)	55 (121)	85 (287)	150 (331)	185 (408)	210 (463)
° TILT ANGLE	°	180	180	180	180	140	140	140
L/MIN (GAL/MIN) MAX	L/MIN (GAL/MIN)	8,0 (2)	15 (4)	15,0 (4)	20,0 (5)	28,0 (7)	35,0 (9)	35,0 (9)
BAR (PSI) MAX	BAR (PSI)	250 (3626)	250 (3626)	270 (3916)	310 (4496)	310 (4496)	310 (4496)	310 (4496)
KN MAX. BREAKOUT FORCE (ISO)	KN	23	35	50	72	110	150	170

* THE TONNAGE IS INDICATIVE, CANGINI RESERVES THE RIGHT TO CHECK THE ASSOCIATIONS BASED ON THE OPERATING LOAD AND THE MACHINE'S TEARING POWER.



STANDARD TECHNICAL FEATURES

- 1 BLOCK VALVE**
IT MAINTAINS THE POSITION DECIDED BY THE OPERATOR EVEN IN THE EVENT OF A LOSS OF PRESSURE ON THE HYDRAULIC LINE SUPPLYING IT.

OPTIONAL

- 2 HYDRAULIC INSTALLATION KIT**
WITH THE HYDRAULIC QUICK COUPLER, IT IS POSSIBLE TO SUPPLY THE INSTALLATION KIT TO THE MACHINE, INCLUDING SOLENOID VALVE AND 12V ELECTRIC SELECTOR SWITCH TO BE INSTALLED INSIDE THE DRIVING AREA. AVAILABLE IN SINGLE EFFECT VERSION (A) OR IN D.E. VERSION - DOUBLE EFFECT (B)
- 3 LIFTING HOOK**
UPON REQUEST, A LOADING HOOK WILL BE FITTED, COVERED WITH AN APPROVAL ON THE CONFORMITY DECLARATION OF OUR PRODUCT.
NB* THE LIFTING CAPACITY OF THE HOOK IS ADJUSTED ACCORDING TO THE SUPPORT TO WHICH THE HOOK IS APPLIED. THIS CAPACITY IS INDICATED IN THE PRODUCT'S OWNER'S MANUAL.

MATCHING QUICK COUPLERS

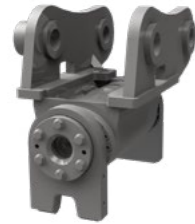
- 4** AR Fast Lock
- 5** CR Twin Lock • CR Twin Lock D.E.
- 6** CS Schnappmatic • CS Schnappmatic D.E.
- 7** CS Schnappmatic D.E. CS 100
- 8** M'Lock D.E.
- 9** S Nordic System • S Nordic EVO System
- 10** PL Pin Lock • PL Pin Lock D.E.
- 11** CW Aut'o'Lock
- 12** CW Hand'o'Lock • CW Hand'o'Lock D.E.

MATCHING QUICK COUPLERS



	TONS (LB)	1,0 - 2,9 (2204 - 6393)			2,5 - 4,0 (5511 - 8818)		4,0 - 4,5 (8818 - 9000)		4,5 - 6,0 (9000 - 13228)		6,0 - 7,0 (13228 - 16535)		6,0 - 7,5 (13228 - 15432)		7,5 - 10,0 (15432 - 22046)	
		TWIST KS 02			TWIST KS 4.5		TWIST KS 4.5		TWIST KS 07		TWIST KS 07		TWIST KS 10		TWIST KS 10	
4	AR FAST LOCK MECHANICAL SEMI-AUTOMATIC	AR 15 S.A.	AR 30 S.A.	AR 40 S.A.	AR 40 S.A.	AR 40 S.A.	AR 50 S.A.	AR 50 S.A.	AR 50 S.A.	AR 70 S.A.	AR 70 S.A.	AR 70 S.A.	-	-	-	
	AR FAST LOCK HYDRAULIC SINGLE EFFECT	AR 15 S.E.	AR 30 S.E.	AR 40 S.E.	AR 40 S.E.	AR 40 S.E.	AR 50 S.E.	AR 50 S.E.	AR 50 S.E.	AR 70 S.E.	AR 70 S.E.	AR 70 S.E.	-	-	-	
5	CR TWIN LOCK MECHANICAL SEMI-AUTOMATIC	CR 15 S.A.	CR 30 S.A.	CR 40 S.A.	CR 30 S.A.	CR 40 S.A.	CR 50 S.A.	CR 50 S.A.	CR 50 S.A.	CR 70 S.A.	CR 70 S.A.	CR 70 S.A.	CR 70 S.A.	CR 70 S.A.	CR 70 S.A.	
	CR TWIN LOCK HYDRAULIC SINGLE EFFECT	CR 15 S.E.	CR 30 S.E.	CR 40 S.E.	CR 30 S.E.	CR 40 S.E.	CR 50 S.E.	CR 50 S.E.	CR 50 S.E.	CR 70 S.E.	CR 70 S.E.	CR 70 S.E.	CR 70 S.E.	CR 70 S.E.	CR 70 S.E.	
	CR TWIN LOCK HYDRAULIC DOUBLE EFFECT	CR 15 D.E.	CR 30 D.E.	CR 40 D.E.	CR 30 D.E.	CR 40 D.E.	CR 50 D.E.	CR 50 D.E.	CR 50 D.E.	CR 70 D.E.	CR 70 D.E.	CR 70 D.E.	CR 70 D.E.	CR 70 D.E.	CR 70 D.E.	
6	CS SCHNAPPMATIC MECHANICAL SEMI-AUTOMATIC	CS 10 S.A.	CS 30 S.A.		CS 30 S.A.		CS 30 S.A.	CS 30 S.A.	CS 30 S.A.	CS 80 S.A.	CS 80 S.A.	CS 80 S.A.	CS 80 S.A.	CS 80 S.A.	CS 80 S.A.	
	CS SCHNAPPMATIC HYDRAULIC SINGLE EFFECT	CS 10 S.E.	CS 30 S.E.		CS 30 S.E.		CS 30 S.E.	CS 30 S.E.	CS 30 S.E.	CS 80 S.E.	CS 80 S.E.	CS 80 S.E.	CS 80 S.E.	CS 80 S.E.	CS 80 S.E.	
	CS SCHNAPPMATIC HYDRAULIC DOUBLE EFFECT	CS 10 D.E.	CS 30 D.E.		CS 30 D.E.		CS 30 D.E.	CS 30 D.E.	CS 30 D.E.	CS 80 D.E.	CS 80 D.E.	CS 80 D.E.	CS 80 D.E.	CS 80 D.E.	CS 80 D.E.	
7	CS 100 SCHNAPPMATIC HYDRAULIC DOUBLE EFFECT															
8	M'LOCK MECHANICAL SEMI-AUTOMATIC		M'LOCK 30 S.A.		M'LOCK 30 S.A.		M'LOCK 100 S.A.	M'LOCK 100 S.A.	M'LOCK 100 S.A.	M'LOCK 100 S.A.	M'LOCK 100 S.A.	M'LOCK 100 S.A.	M'LOCK 100 S.A.	M'LOCK 100 S.A.	M'LOCK 100 S.A.	
	M'LOCK HYDRAULIC DOUBLE EFFECT		M'LOCK 30 D.E.		M'LOCK 30 D.E.		M'LOCK 100 D.E.	M'LOCK 100 D.E.	M'LOCK 100 D.E.	M'LOCK 100 D.E.	M'LOCK 100 D.E.	M'LOCK 100 D.E.	M'LOCK 100 D.E.	M'LOCK 100 D.E.	M'LOCK 100 D.E.	
9	S NORDIC SYSTEM MECHANICAL SEMI-AUTOMATIC		S 30-150/180 S.A.		S 40-200 S.A.		S 40-200 S.A.	S 40-200 S.A.	S 40-200 S.A.	-	-	-	-	-	-	
	S NORDIC SYSTEM HYDRAULIC DOUBLE EFFECT		S 30-150/180 D.E.		S 40-200 D.E.		S 40-200 D.E.	S 40-200 D.E.	S 40-200 D.E.	S 45 D.E.	S 45 D.E.	S 45 D.E.	S 45 D.E.	S 45 D.E.	S 45 D.E.	
10	PL PIN LOCK MECHANICAL	PL 10	PL 20		PL 40		PL 60	PL 60	PL 60	PL 60	PL 60	PL 60	PL 60	PL 80	PL 80	
	PL PIN LOCK HYDRAULIC DOUBLE EFFECT				PL 40 D.E.		PL 60 D.E.	PL 60 D.E.	PL 60 D.E.	PL 60 D.E.	PL 60 D.E.	PL 60 D.E.	PL 60 D.E.	PL 80 D.E.	PL 80 D.E.	
11	CW AUTO'LOCK MECHANICAL SEMI-AUTOMATIC		CW 05 S.A.		CW 05 S.A.		CW 10 S.A.	CW 10 S.A.	CW 10 S.A.	CW 10 S.A.	CW 10 S.A.	CW 10 S.A.	CW 10 S.A.	CW 10 S.A.	CW 10 S.A.	
12	CW HAND'O'LOCK MECHANICAL		CW 05		CW 05		CW 10	CW 10	CW 10	CW 10	CW 10	CW 10	CW 10	CW 10	CW 10	
	CW HAND'O'LOCK HYDRAULIC DOUBLE EFFECT		CW 05 D.E.		CW 05 D.E.		CW 10 D.E.	CW 10 D.E.	CW 10 D.E.	CW 10 D.E.	CW 10 D.E.	CW 10 D.E.	CW 10 D.E.	CW 10 D.E.	CW 10 D.E.	

MATCHING QUICK COUPLERS



		TONS (LB)	9,0 - 10,0 (19842 - 22046)	10,0 - 12,0 (22046 - 24250)	12,0 - 14,0 (26455 - 30865)	12,0 - 15,0 (26455 - 33069)	15,0 - 19,0 (33069 - 41888)	16,0 - 19,0 (35274 - 39683)	19,0 - 23,0 (39683 - 41888)
			TWIST KS 14		TWIST KS 14	TWIST KS 19		TWIST KS 23	
4		AR FAST LOCK MECHANICAL SEMI-AUTOMATIC	-	-	-	-	-	-	-
		AR FAST LOCK HYDRAULIC SINGLE EFFECT	-	-	-	-	-	-	-
5		CR TWIN LOCK MECHANICAL SEMI-AUTOMATIC	CR 70 S.A.	CR 70 S.A.	-	-	-	-	-
		CR TWIN LOCK HYDRAULIC SINGLE EFFECT	CR 70 S.E.	CR 70 S.E.	-	-	-	-	-
		CR TWIN LOCK HYDRAULIC DOUBLE EFFECT	CR 70 D.E.	CR 70 D.E.	-	-	-	-	-
6		CS SCHNAPPMATIC MECHANICAL SEMI-AUTOMATIC	CS 80 S.A.	CS 80 S.A.	-	-	-	-	-
		CS SCHNAPPMATIC HYDRAULIC SINGLE EFFECT	CS 80 S.E.	CS 80 S.E.	-	-	-	-	-
		CS SCHNAPPMATIC HYDRAULIC DOUBLE EFFECT	CS 80 D.E.	CS 80 D.E.	-	-	-	-	-
7		CS 100 SCHNAPPMATIC HYDRAULIC DOUBLE EFFECT	-	-	CS 100 D.E.	CS 100 D.E.	CS 100 D.E.	CS 100 D.E.	-
8		M'LOCK MECHANICAL SEMI-AUTOMATIC	-	-	-	-	-	-	-
		M'LOCK HYDRAULIC DOUBLE EFFECT	M'LOCK 100 D.E.	M'LOCK 180 D.E.	M'LOCK 180 D.E.	M'LOCK 180 D.E.	M'LOCK 180 D.E.	M'LOCK 180 D.E.	-
9		S NORDIC SYSTEM MECHANICAL SEMI-AUTOMATIC	-	-	-	-	-	-	-
		S NORDIC SYSTEM HYDRAULIC DOUBLE EFFECT	S 45 D.E.	S 45 D.E.	S 60 D.E.	S 60 D.E.	S 60 D.E.	S 60 D.E.	-
		S 50 D.E.	S 50 D.E.	S 50 D.E.	-	-	-	-	
10		PL PIN LOCK MECHANICAL	PL 80	-	-	-	-	-	-
		PL PIN LOCK HYDRAULIC DOUBLE EFFECT	PL 80 D.E.	PL 100 D.E.	PL 100 D.E.	PL 100 D.E.	-	-	-
11		CW AUTO'O'LOCK MECHANICAL SEMI-AUTOMATIC	CW 10 S.A.	-	-	-	-	-	-
12		CW HAND'O'LOCK MECHANICAL	CW 10	-	-	-	-	-	-
		CW HAND'O'LOCK HYDRAULIC DOUBLE EFFECT	CW 10 D.E.	CW 20 D.E.	CW 20 D.E.	CW 20 D.E.	CW 30 D.E.	CW 30 D.E.	CW 30 D.E.