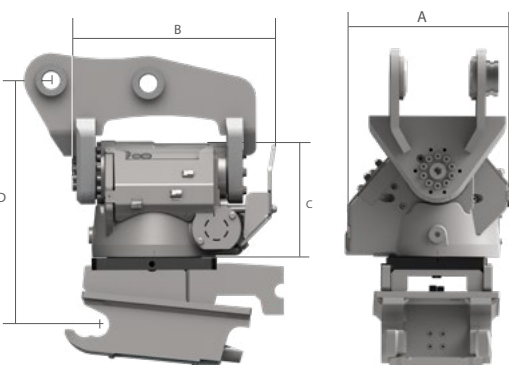
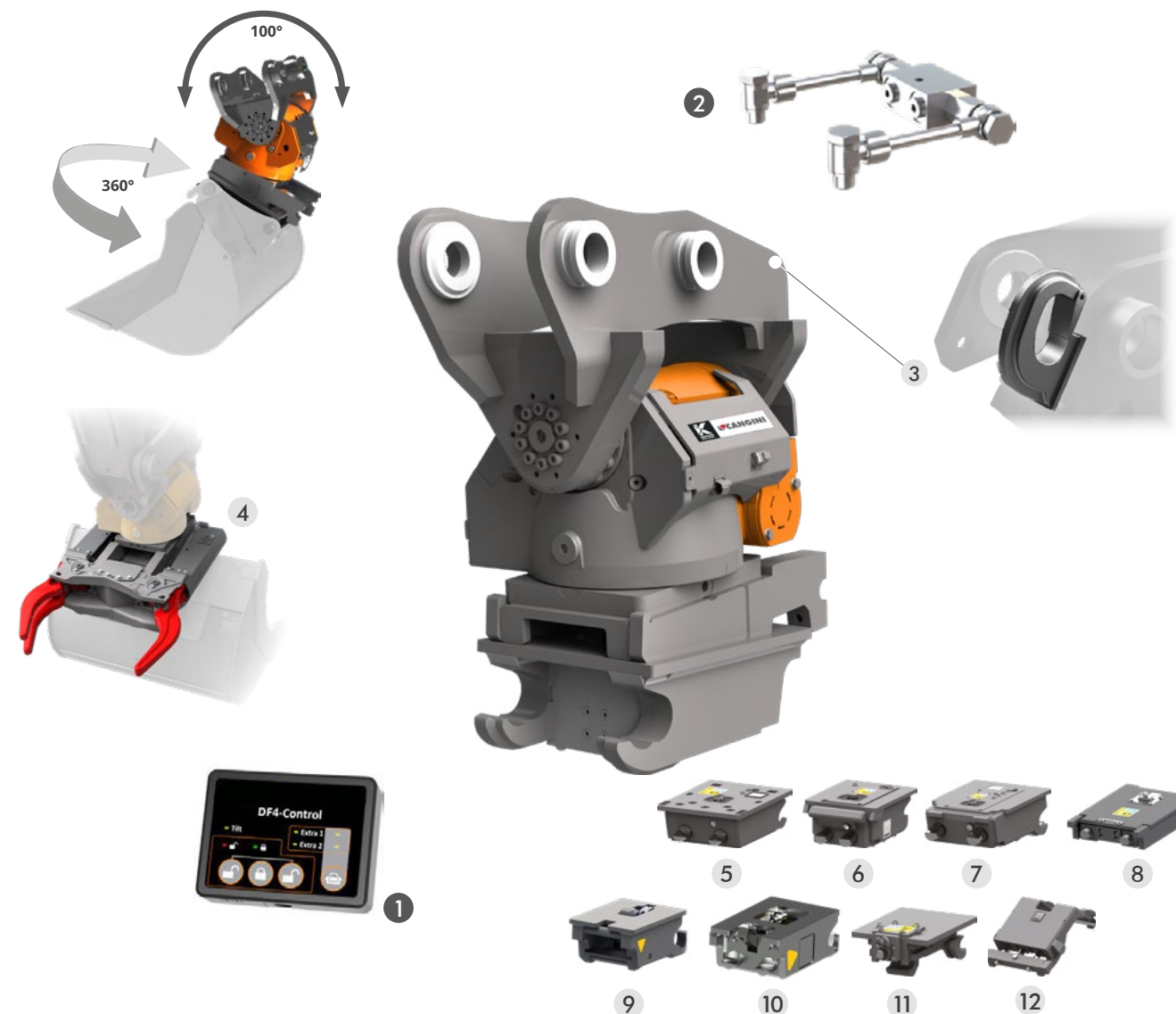




NB: AT THE TIME OF ORDER, PLEASE NOTIFY THE VOLTAGE OF THE ELECTRICAL SYSTEM (12-24 V)

THE NOX TR ROTARY HYDRAULIC ACTUATOR ENABLES CONTINUOUS ROTATION THROUGH 360° AND A TILT ANGLE OF 50° ON BOTH SIDES, PERMITTING THE MAXIMUM EFFICIENCY ON ANY APPLICATION AND SAVING TIME AND RESOURCES. IN THIS CASE, THE PRECISE, WELL CALIBRATED INFILLING OF TRENCHES AND THE MOVING OF DIFFERENT TYPES OF MATERIALS IN TIGHT AREAS ARE NO PROBLEM. THE ACTUATOR IS EQUIPPED WITH STANDARD HYDRAULIC JOINT



*TONS (LB)	2,0 - 4,5 (4480 - 10080)	4,0 - 7,0 (8818 - 15432)	6,0 - 11,0 (13227 - 24251)	10,0 - 14,0 (22046 - 30865)	14,0 - 19,0 (30865 - 41888)	19,0 - 25,0 (41888 - 55116)
MOD.	ROTOTWIST NOX TR 045	ROTOTWIST NOX TR 07	ROTOTWIST NOX TR 11	ROTOTWIST NOX TR 14	ROTOTWIST NOX TR 19	ROTOTWIST NOX TR 25
A	MM (IN) 380 (15)	385 (15)	428 (17)	478 (19)	475 (19)	525 (21)
B	MM (IN) 435 (17)	460 (18)	550 (23)	730 (29)	760 (30)	845 (33)
C	MM (IN) 315 (12)	315 (12)	350 (18)	390 (15)	420 (17)	470 (19)
D (FROM)	MM (IN) 380 (15)	420 (17)	475 (17)	565 (22)	580 (22)	650 (26)
	KG (LB) 150 (331)	200 (440)	320 (705)	485 (1069)	580 (1278)	860 (1895)
	L/MIN (GAL/MIN) 30 - 80 (7-21)	30 - 80 (7-21)	40 - 100 (10-26)	80 - 160 (21-42)	100 - 180 (26-47)	120 - 200 (31-52)
	L/MIN (GAL/MIN) 70 / 30 (18-8)	70 / 30 (18-8)	70 / 30 (18-8)	70 / 30 (18-8)	70 / 30 (18-8)	70 / 30 (18-8)
MAX. BREAKOUT FORCE (ISO)	KN 40	50	75	110	150	170
CONFIGURATION	DF04	DF04	DF04	DF04	DF04	DF04
MAX. BUCKET WIDTH	MM (IN) 1100 (43)	1200 (47)	1300 (51)	1600 (63)	1700 (67)	2000 (79)

- W/O COUPLER, PLATE AND QUICK COUPLER
- ROTOTWIST
- HYDRAULIC JOINT

STANDARD TECHNICAL FEATURES

1 CONTROL BOX (DF04)

ELECTRONIC COMPONENT THAT ALLOWS CONTROL OF THE VARIOUS FUNCTIONS OF THE ROTOTWIST. DIRECTLY FROM THE CAB THE OPERATOR CAN CONTROL: ROTATION, TILT, HYDRAULIC LINES FOR THE ATTACHMENTS AND HYDRAULIC QUICK COUPLER WHEN REQUIRED. THE DF04 SYSTEM REQUIRES THE OPERATING MACHINE TO BE EQUIPPED WITH TWO DOUBLE-ACTING HYDRAULIC LINES. FOR DIFFERENT OPERATING MACHINE CONFIGURATIONS OTHER THAN DF04 CAN BE CONSIDERED.

2 BLOCK VALVE

IT ALLOWS TO MAINTAIN THE TOOL'S CHOSEN POSITION EVEN WITH MACHINES WITH OPEN CENTRE CIRCUITS AND IN CASE OF LEAKAGE

OPTIONAL

3 LIFTING HOOK

UPON REQUEST, A LOADING HOOK WILL BE FITTED, COVERED WITH AN APPROVAL ON THE CONFORMITY DECLARATION OF OUR PRODUCT. **NB* THE LIFTING CAPACITY OF THE HOOK IS ADJUSTED ACCORDING TO THE SUPPORT TO WHICH THE HOOK IS APPLIED. THIS CAPACITY IS INDICATED IN THE PRODUCT'S OWNER'S MANUAL.**

4 GRAB MODULE TRG

IDEAL FOR HANDLING LOGS AND PIPES, IT IS INTEGRATED IN THE LOWER QUICK COUPLER AND DOES NOT AFFECT THE HEIGHT OR THE MOVEMENT OF THE ATTACHMENT. THE GRAB IS ONLY AVAILABLE ON DOUBLE ACTING COUPLINGS.

MATCHING QUICK COUPLERS

- 5 AR Fast Lock
- 6 CR Twin Lock • CR Twin Lock D.E.
- 7 CS Schnappmatic • CS Schnappmatic D.E.
- 8 CS Schnappmatic D.E. CS 100
- 9 CM Sicurmatic • M'Lock D.E.
- 10 S Nordic System • S Nordic EVO System
- 11 PL Pin Lock • PL Pin Lock D.E.
- 12 CW Hand'o'Lock • CW Hand'o'Lock D.E.

* LOAD CAPACITIES ARE GUIDELINE: CANGINI RESERVES THE RIGHT TO VERIFY PAIRINGS DEPENDING ON THE WORKING LOAD OF THE PARENT MACHINE.

MATCHING QUICK COUPLERS



	TONS (LB)	TONS					TONS					TONS		TONS		TONS	
		2,0 - 2,5	2,5 - 4,5	4,0 - 5,0	5,0 - 6,0	6,0 - 7,0	6,0 - 7,0	7,0 - 8,0	8,0 - 9,0	9,0 - 10,0	10,0 - 11,0	10,0 - 11,0	11,0 - 12,0	14,0 - 18,0	18,0 - 19,0	19,0 - 25,0	
		ROTOTWIST NOX TR 045			ROTOTWIST NOX TR 07			ROTOTWIST NOX TR 11					ROTOTWIST NOX TR 14		ROTOTWIST NOX TR 19		ROTOTWIST NOX TR 25
5	AR FAST LOCK MECHANICAL SEMI-AUTOMATIC	AR 30 S.A.	AR 40 S.A.	-	AR 50 S.A.	AR 50 S.A.	AR 70 S.A.	AR 70 S.A.	-	-	-	-	-	-	-	-	-
	AR FAST LOCK HYDRAULIC SINGLE EFFECT	AR 30 S.E.	AR 40 S.E.	-	AR 50 S.E.	AR 50 S.E.	AR 70 S.E.	AR 70 S.E.	-	-	-	-	-	-	-	-	-
6	CR TWIN LOCK MECHANICAL SEMI-AUTOMATIC	CR 30 S.A.	CR 40 S.A.	-	CR 50 S.A.	CR 50 S.A.	CR 70 S.A.	CR 70 S.A.	CR 70 S.A.	CR 70 S.A.	CR 70 S.A.	CR 70 S.A.	CR 70 S.A.	-	-	-	
	CR TWIN LOCK HYDRAULIC SINGLE EFFECT	CR 30 S.E.	CR 40 S.E.	-	CR 50 S.E.	CR 50 S.E.	CR 70 S.E.	CR 70 S.E.	CR 70 S.E.	CR 70 S.E.	CR 70 S.E.	CR 70 S.E.	CR 70 S.E.	-	-	-	
	CR TWIN LOCK HYDRAULIC DOUBLE EFFECT	CR 30 D.E.	CR 40 D.E.	-	CR 50 D.E.	CR 50 D.E.	CR 70 D.E.	CR 70 D.E.	CR 70 D.E.	CR 70 D.E.	CR 70 D.E.	CR 70 D.E.	CR 70 D.E.	-	-	-	
7	CS SCHNAPPMATIC MECHANICAL SEMI-AUTOMATIC	CS 10 S.A.	CS 30 S.A.	-	CS 30 S.A.	CS 80 S.A.	CS 80 S.A.	CS 80 S.A.	CS 80 S.A.	CS 80 S.A.	CS 80 S.A.	CS 80 S.A.	CS 80 S.A.	-	-	-	
	CS SCHNAPPMATIC HYDRAULIC SINGLE EFFECT	CS 10 S.E.	CS 30 S.E.	-	CS 30 S.E.	CS 80 S.E.	CS 80 S.E.	CS 80 S.E.	CS 80 S.E.	CS 80 S.E.	CS 80 S.E.	CS 80 S.E.	CS 80 S.E.	-	-	-	
	CS SCHNAPPMATIC HYDRAULIC DOUBLE EFFECT	CS 10 D.E.	CS 30 D.E.	-	CS 30 D.E.	CS 80 D.E.	CS 80 D.E.	CS 80 D.E.	CS 80 D.E.	CS 80 D.E.	CS 80 D.E.	CS 80 D.E.	CS 80 D.E.	-	-	-	
8	CS 100 SCHNAPPMATIC HYDRAULIC DOUBLE EFFECT	-	-	-	-	-	-	-	-	-	-	CS 100 D.E.	CS 100 D.E.	CS 100 D.E.	CS 100 D.E.	-	
9	CM SICURMATIC MECHANICAL SEMI-AUTOMATIC	M'LOCK 30 S.A.	M'LOCK 30 S.A.	-	M'LOCK100	M'LOCK100	M'LOCK100	M'LOCK100	M'LOCK100	M'LOCK100	M'LOCK100	M'LOCK100	M'LOCK100	-	-	-	
	M'LOCK HYDRAULIC DOUBLE EFFECT	M'LOCK 30 D.E.	M'LOCK 30 D.E.	-	M'LOCK 100 D.E.	M'LOCK 100 D.E.	M'LOCK 100 D.E.	M'LOCK 100 D.E.	M'LOCK 180 D.E.	M'LOCK 180 D.E.	M'LOCK 180 D.E.	M'LOCK 180 D.E.	M'LOCK 180 D.E.	M'LOCK 180 D.E.	-	-	
10	S NORDIC SYSTEM MECHANICAL SEMI-AUTOMATIC	S 30 S.A.	S 40-200 S.A.	-	S 40-200 S.A.	S 40-200 S.A.	-	-	-	-	-	-	-	-	-	-	
	S NORDIC SYSTEM HYDRAULIC DOUBLE EFFECT	S 30 D.E.	S 40-200 D.E.	-	S 40-200 D.E.	S 40-200 D.E.	S 45 D.E.	S 45 D.E.	S 45 D.E.	S 45 D.E.	S 45 D.E.	S 45 D.E.	S 45 D.E.	S 45 D.E.	S 45 D.E.	S 60 D.E.	
							S 50 D.E.	S 50 D.E.	S 50 D.E.	S 50 D.E.	S 50 D.E.	S 50 D.E.	S 50 D.E.	S 50 D.E.	S 60 D.E.	-	
11	PL PIN LOCK MECHANICAL	PL 20	PL 40	PL 60	PL 60	PL 60	PL 60	PL 60	PL 80	PL 80	PL 80	-	-	-	-	-	
	PL PIN LOCK HYDRAULIC DOUBLE EFFECT	-	PL 40 D.E.	PL 60 D.E.	PL 60 D.E.	PL 60 D.E.	PL 60 D.E.	PL 60 D.E.	PL 80 D.E.	PL 80 D.E.	PL 80 D.E.	-	PL 100 D.E.	PL 100 D.E.	-	-	
12	CW HAND'O'LOCK / AUTO'LOCK MECHANICAL	CW 05 S.A.	CW 05	-	CW 10	CW 10	CW 10	CW 10	CW 10	CW 10	-	-	-	-	-	-	
	CW HAND'O'LOCK HYDRAULIC DOUBLE EFFECT	CW 05 D.E.	-	-	CW 10 D.E.	CW 10 D.E.	CW 10 D.E.	CW 10 D.E.	CW 20S D.E.	CW 20S D.E.	CW 20S D.E.	CW 20S D.E.	CW 20S D.E.	CW 20S D.E.	CW 30S D.E.	CW 30S D.E.	

GRAB MODULE TRG



		TONS (LB)	4,0 - 5,0 (8818 - 11023)	5,0 - 6,0 (11023 - 13228)	6,0 - 7,0 (13228 - 15432)	6,0 - 7,0 (13228 - 15432)	7,0 - 8,0 (15432 - 17637)	8,0 - 9,0 (17637 - 19841)	9,0 - 10,0 (19841 - 22046)	10,0 - 11,0 (22046 - 26455)	10,0 - 11,0 (22046 - 24250)	11,0 - 12,0 (24250 - 26455)	14,0 - 18,0 (30864 - 39683)	18,0 - 19,0 (39683 - 41887)	19,0 - 25,0 (41887 - 55115)
			ROTOTWIST NOX TR 07			ROTOTWIST NOX TR 11					ROTOTWIST NOX TR 14		ROTOTWIST NOX TR 19		ROTOTWIST NOX TR 25
4	CR TWIN LOCK HYDRAULIC DOUBLE EFFECT	MOD.	TRG 11	TRG 11	TRG 11	TRG 11	TRG 11	TRG 11	TRG 11	TRG 11	TRG 11	TRG 11	-	-	-
			CR 50 D.E.	CR 50 D.E.	CR 70 D.E.	CR 70 D.E.	CR 70 D.E.	CR 70 D.E.	CR 70 D.E.	CR 70 D.E.	CR 70 D.E.	CR 70 D.E.	-	-	-
4	CS SCHNAPPMATIC HYDRAULIC DOUBLE EFFECT	MOD.	TRG 07	TRG 11	TRG 11	TRG 11	TRG 11	TRG 11	TRG 11	TRG 11	TRG 11	TRG 11	-	-	-
			CS 30 D.E.	CS 80 D.E.	CS 80 D.E.	CS 80 D.E.	CS 80 D.E.	CS 80 D.E.	CS 80 D.E.	CS 80 D.E.	CS 80 D.E.	CS 80 D.E.	-	-	-
4	CS 100 SCHNAPPMATIC HYDRAULIC DOUBLE EFFECT	MOD.	-	-	-	-	-	-	-	-	-	TRG 19	TRG 19	TRG 19	-
			-	-	-	-	-	-	-	-	-	CS 100 D.E.	CS 100 D.E.	CS 100 D.E.	-
4	M'LOCK HYDRAULIC DOUBLE EFFECT	MOD.	TRG 11	TRG 11	TRG 11	TRG 11	TRG 11	TRG 11	TRG 11	TRG 19	TRG 19	TRG 19	TRG 19	TRG 19	-
			M'LOCK 100 D.E.	M'LOCK 100 D.E.	M'LOCK 100 D.E.	M'LOCK 100 D.E.	M'LOCK 100 D.E.	M'LOCK 100 D.E.	M'LOCK 180 D.E.	M'LOCK 180 D.E.	M'LOCK 180 D.E.	M'LOCK 180 D.E.	M'LOCK 180 D.E.	-	-
4	S NORDIC SYSTEM HYDRAULIC DOUBLE EFFECT	MOD.	TRG 07	TRG 07	TRG 11	TRG 11	TRG 11	TRG 11	TRG 11	TRG 11	TRG 11	TRG 11	TRG 19	-	-
			S 40-200 D.E.	S 40-200 D.E.	S 45 D.E.	S 45 D.E.	S 45 D.E.	S 45 D.E.	S 45 D.E.	S 45 D.E.	S 45 D.E.	S 45 D.E.	S 60 D.E.	-	-
					S 50 D.E.	S 50 D.E.	S 50 D.E.	S 50 D.E.	S 50 D.E.	S 50 D.E.	S 50 D.E.	S 50 D.E.			
												S 60 D.E.			
4	PL PIN LOCK HYDRAULIC DOUBLE EFFECT	MOD.	TRG 11	TRG 11	TRG 11	TRG 11	TRG 11	TRG 11	TRG 11	TRG 11	TRG 11	TRG 11	-	-	-
			PL 60 D.E.	PL 60 D.E.	PL 60 D.E.	PL 60 D.E.	PL 80 D.E.	PL 80 D.E.	PL 80 D.E.	-	PL 100 D.E.	PL 100 D.E.	-	-	-
4	CW HAND'O'LOCK HYDRAULIC DOUBLE EFFECT	MOD.	TRG 11	TRG 11	TRG 11	TRG 11	TRG 11	TRG 11	TRG 11	TRG 19	TRG 19	TRG 19	TRG 19	TRG 23	TRG 25
			CW 10 D.E.	CW 10 D.E.	CW 10 D.E.	CW 10 D.E.	CW 10 D.E.	CW 10 D.E.	CW 20S D.E.	CW 20S D.E.	CW 20S D.E.	CW 20S D.E.	CW 30S D.E.	CW 30S D.E.	CW 30S D.E.