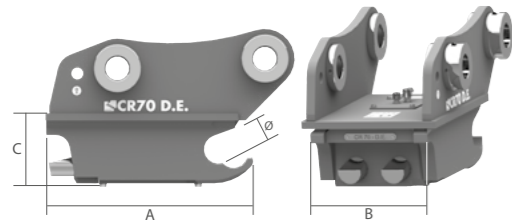




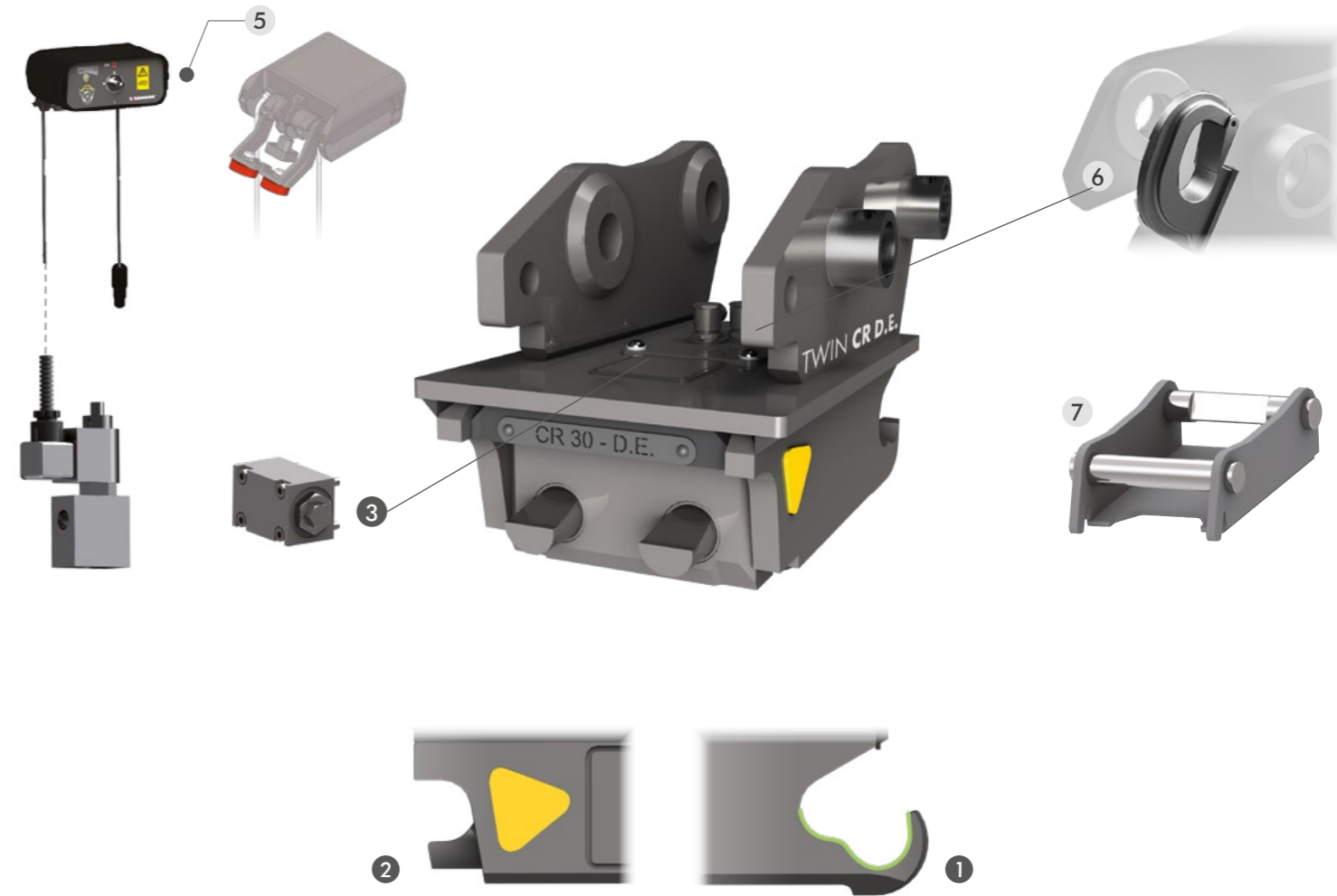
**NB: AT THE TIME OF ORDER, PLEASE NOTIFY THE VOLTAGE OF THE ELECTRICAL SYSTEM (12-24 V)**

THE CR TWIN LOCK D.E. QUICK COUPLER, WITH ITS **DOUBLE ACTION** SYSTEM, MANAGES THE LOCKING AND UNLOCKING OPERATIONS DIRECTLY FROM THE CAB IN A FEW SECONDS. IT MEETS THE HIGHEST RELIABILITY STANDARDS THANKS TO ITS SAFETY SYSTEMS, SUCH AS THE **VISUAL INDICATOR FOR THE LOCKING STATUS CONTROL**, THE **STANDARD BLOCK VALVE**, THE **DOUBLE-NOTCH PROFILE OF THE FORK**. THE SIDES ARE REALIZED ENTIRELY WITH THE HB400 STEEL, GRANTING GREAT RESISTANCE.

**HYDRAULIC DOUBLE ACTION**



TONS (LB)	0,6 - 1,8 (1323 - 3968)		1,8 - 2,5 (3968 - 5512)		2,5 - 4,0 (5512 - 8819)		4,0 - 6,0 (8819 - 13228)		6,0 - 12,0 (13228 - 26455)	
MOD.	CR15 D.E.		CR30 D.E.		CR40 D.E.		CR50 D.E.		CR70 D.E.	
<b>A</b>	MM (IN)	247 (9,7)	252 (9,9)	260 (10,2)	290 (11,4)	345 (13,5)				
<b>B</b>	MM (IN)	156 (6,1)	180 (7,1)	196 (7,7)	218 (8,6)	257 (10,1)				
<b>C</b>	MM (IN)	101 (4,0)	107 (4,2)	109 (4,3)	133 (5,2)	148 (5,8)				
<b>Ø</b>	MM (IN)	40 (1,6)	45 (1,8)	45 (1,8)	50 (2,0)	60 (2,4)				
	KG (LB)	17,5 (40)	23 (49)	27 (60)	42 (84)	68 (135)				
	BAR (PSI)	200 (2901)	200 (2901)	200 (2901)	200 (2901)	200 (2901)				



**STANDARD TECHNICAL FEATURES**

- 1 FORK'S DOUBLE PROFILE**  
NEW DOUBLE CRADLE PROFILE CREATE A GREATER OBSTACLE TO THE ACCIDENTAL FALL OF THE TOOL.
- 2 "SAFE CHECK" SIDE COUPLING INDICATOR**  
THE 'SAFE CHECK' SIDE INDICATOR ALLOWS THE QUICK COUPLER'S FULL CONTROL OVER THE ADAPTER.IT PERMITS TO CHECK IF THE QUICK COUPLER IS IN THE RIGHT POSITION TO ENSURE CORRECT COUPLING ONCE THE PINS ARE OUT.
- 3 SAFETY BLOCK VALVE**  
IT ALLOWS THE QUICK COUPLER TO HOLD ITS POSITION EVEN IN THE CASE OF A PRESSURE LOSS ON THE HYDRAULIC LINE.

**OPTIONAL**

- 5 HYDRAULIC INSTALLATION KIT**  
THIS KIT CAN BE SUPPLIED WITH THE QUICK COUPLER HYDRAULIC VERSION. SUPPLIED WITH WIRED SOLENOID VALVE AND CONTROL SWITCH.
- 6 LIFTING HOOK**  
UPON REQUEST, A LOADING HOOK WILL BE FITTED, COVERED WITH AN APPROVAL ON THE CONFORMITY DECLARATION OF OUR PRODUCT.  
**NB\* THE LIFTING CAPACITY OF THE HOOK IS ADJUSTED ACCORDING TO THE SUPPORT TO WHICH THE HOOK IS APPLIED. THIS CAPACITY IS INDICATED IN THE PRODUCT'S OWNER'S MANUAL.**
- 7 CR ADAPTER**  
THE CR ADAPTER MAKES THE TOOL REVERSIBLE.