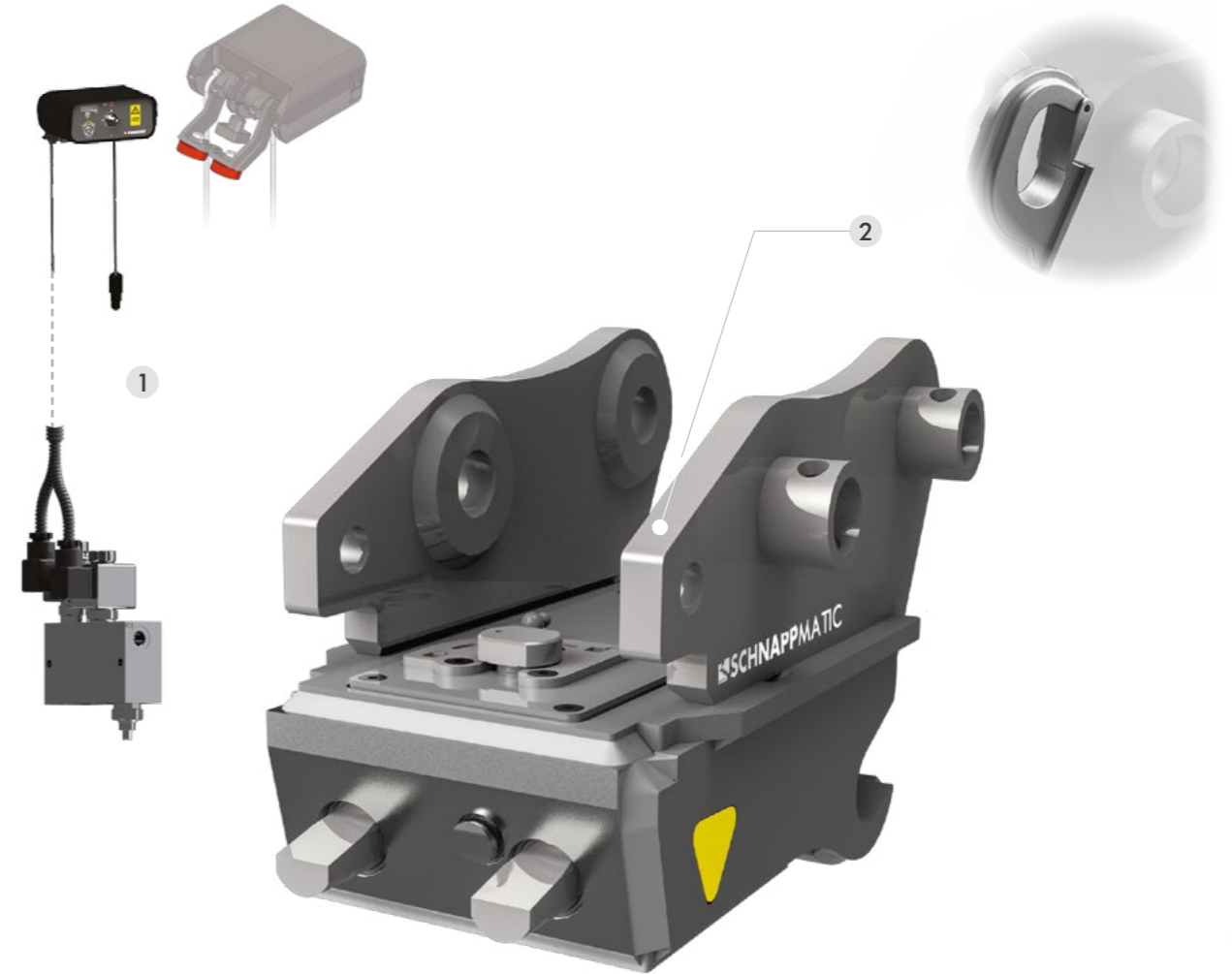




**NB: AT THE TIME OF ORDER, PLEASE NOTIFY THE VOLTAGE OF THE ELECTRICAL SYSTEM (12-24 V)**

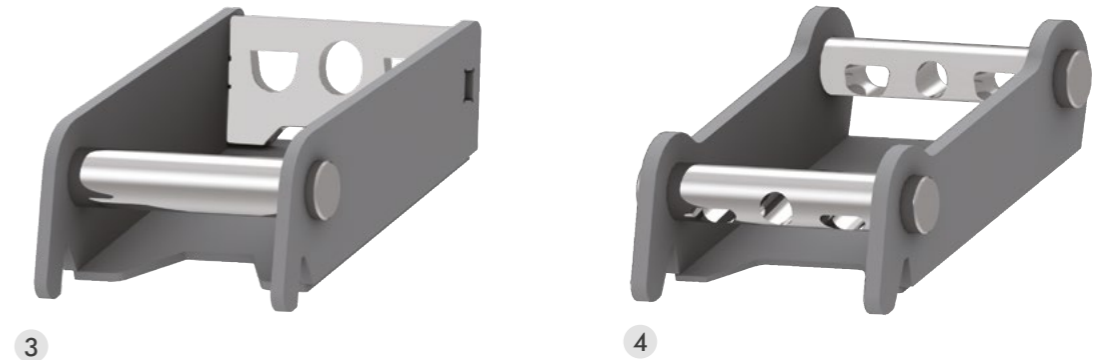
THE CS SCHNAPPMATIC PATENTED QUICK COUPLER ENABLES THE FAST LOCKING AND UNLOCKING OF THE ATTACHMENTS, CONSIDERABLY REDUCING THE TIME FOR THEIR REPLACEMENT. THE MECHANICAL VERSION IS PROVIDED WITH A SEMI-AUTOMATIC SYSTEM THAT REQUIRES THE MANUAL INTERVENTION WHEN THE TOOL HAS TO BE RELEASED. BOTH THE LOCKING AND THE SAFE BLOCKING OF THE NEW TOOL ARE AUTOMATIC OPERATIONS. IN THE HYDRAULIC VERSION ALL THESE FUNCTIONS ARE MANAGED FROM THE CAB. ACCORDING TO THE ADAPTER, STANDARD OR JANUS PRO (REVERSIBLE), IT IS POSSIBLE TO USE THE SAME TOOLS ALSO FOR FRONT DIGGING WORKS. THIS QUICK COUPLER COMBINES WITH ALL TYPES OF ADAPTER OF THE (MS OS, DS, ETC.) 01, 03 AND 08 SERIES.



|                  | TONS (LB) | 0,6 - 2,5 (1323 - 5512) | 2,5 - 6,0 (5512 - 13227) | 5,0 - 12,0 (11023 - 26455) |
|------------------|-----------|-------------------------|--------------------------|----------------------------|
| <b>MOD.</b>      |           | <b>CS10</b>             | <b>CS30</b>              | <b>CS80</b>                |
| <b>A</b> MM (IN) |           | 250 (9,8)               | 316 (12,5)               | 436 (17,2)                 |
| <b>B</b> MM (IN) |           | 180 (7,1)               | 200 (8)                  | 290 (11)                   |
| <b>C</b> MM (IN) |           | 72 (2,8)                | 78 (3,1)                 | 105 (4,1)                  |
| <b>Ø</b> MM (IN) |           | 40 (1,6)                | 50 (2,0)                 | 60 (2,4)                   |

| <b>MECHANIC SEMI-AUTOMATIC</b> |             | <b>MOD.</b>    | <b>CS10 S.A.</b> | <b>CS30 S.A.</b> | <b>CS80 S.A.</b> |
|--------------------------------|-------------|----------------|------------------|------------------|------------------|
|                                | W/O COUPLER | <b>KG (LB)</b> | 22 (49)          | 33 (73)          | 83 (183)         |

| <b>HYDRAULIC SINGLE ACTION</b> |             | <b>MOD.</b>      | <b>CS10 S.E.</b> | <b>CS30 S.E.</b> | <b>CS80 S.E.</b> |
|--------------------------------|-------------|------------------|------------------|------------------|------------------|
|                                | W/O COUPLER | <b>KG (LB)</b>   | 23 (51)          | 34 (75)          | 87 (192)         |
|                                | MAX         | <b>BAR (PSI)</b> | 250 (3626)       | 250 (3626)       | 250 (3626)       |



**OPTIONAL**

**1 HYDRAULIC INSTALLATION KIT**

WITH THE HYDRAULIC QUICK COUPLER THE INSTALLATION KIT CAN BE PROVIDED, INCLUDING SOLENOID VALVE AND ELECTRIC SWITCH WITH MAGNETS TO EASILY PUT IT INSIDE THE CAB

**2 LIFTING HOOK**

UPON REQUEST, A LOADING HOOK WILL BE FITTED, COVERED WITH AN APPROVAL ON THE CONFORMITY DECLARATION OF OUR PRODUCT.

**NB\* THE LIFTING CAPACITY OF THE HOOK IS ADJUSTED ACCORDING TO THE SUPPORT TO WHICH THE HOOK IS APPLIED. THIS CAPACITY IS INDICATED IN THE PRODUCT'S OWNER'S MANUAL.**

**3 CS ADAPTER**

THE ADAPTER APPLIED TO ANY TOOL ENABLES THE COUPLING WITH THE CS SCHNAPPMATIC QUICK COUPLER.

**4 JANUS PRO ADAPTER**

THE JANUS PRO ADAPTER MAKES THE TOOL REVERSIBLE.